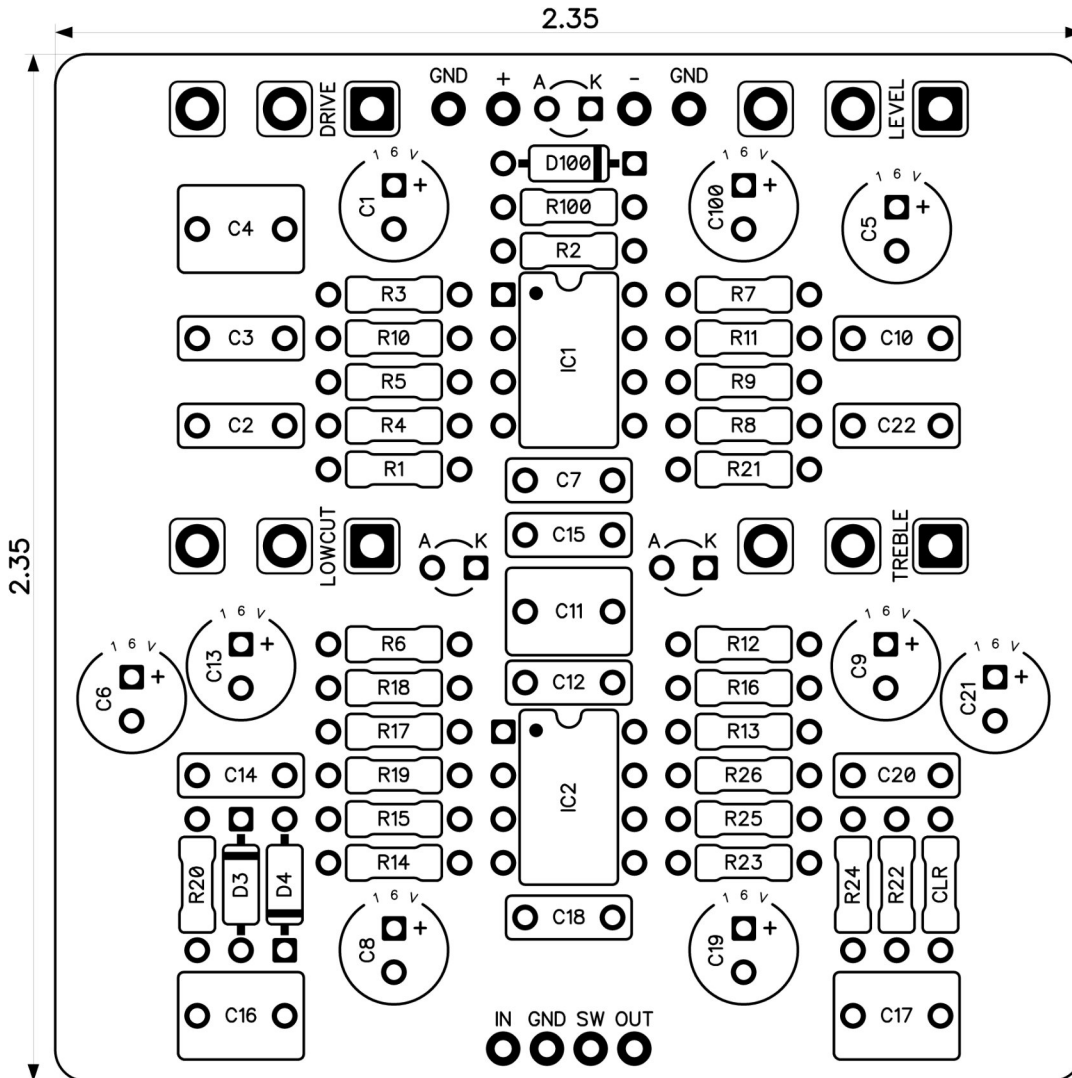


PedalPCB

Snozzberry Overdrive

Revised 8/13/23



CONTROLS AND FEATURES

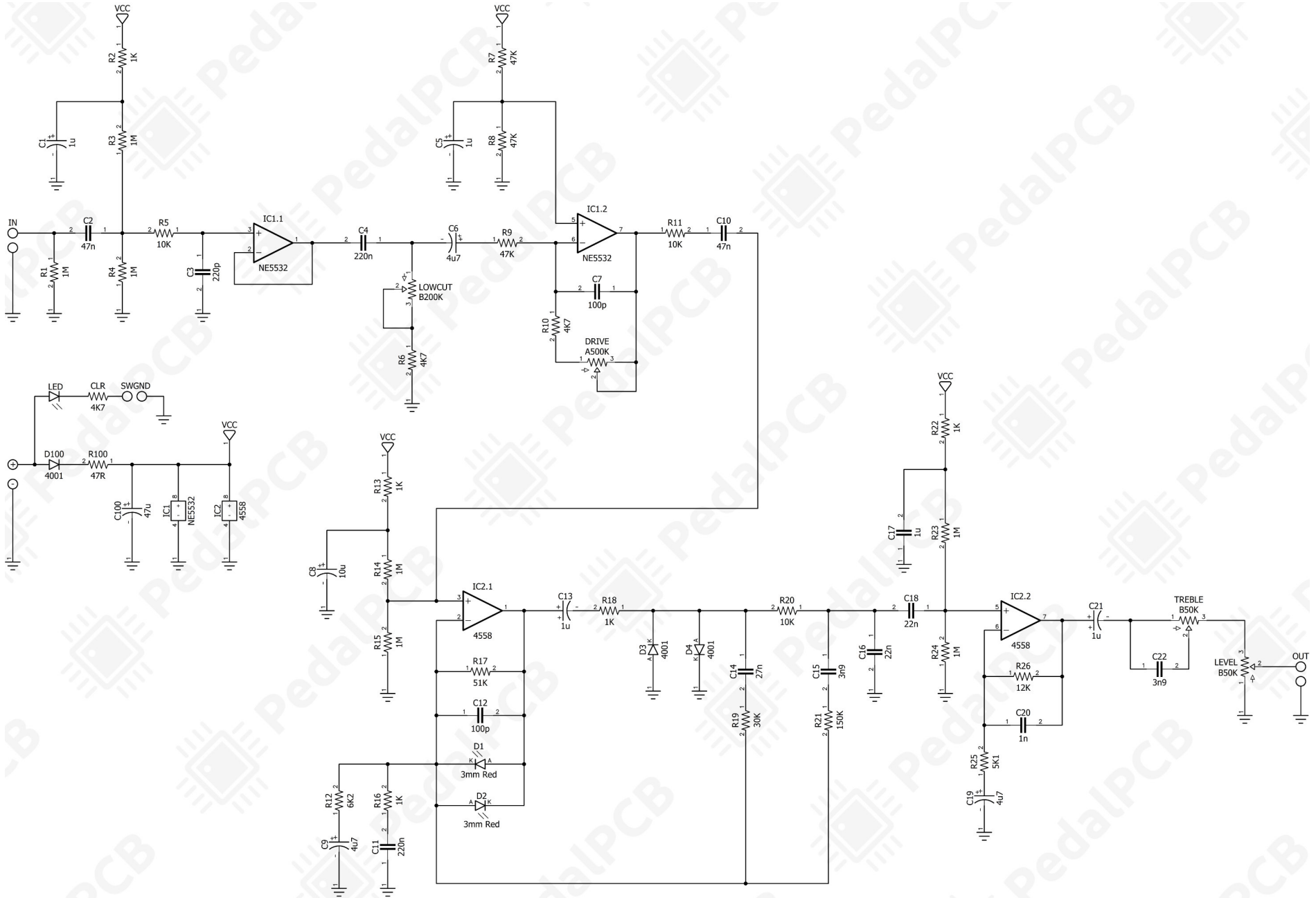
- Level
- Drive
- Treble
- Low cut

All trademarks and registered trademarks are the property of their respective owners. The company, product, and service names used in this web site are for identification purposes only. Use of these names, logos, and brands does not imply endorsement.

LOCATION	VALUE	TYPE	NOTES
R1	1M	Resistor, 1/4W	
R2	1K	Resistor, 1/4W	
R3	1M	Resistor, 1/4W	
R4	1M	Resistor, 1/4W	
R5	10K	Resistor, 1/4W	
R6	4K7	Resistor, 1/4W	
R7	47K	Resistor, 1/4W	
R8	47K	Resistor, 1/4W	
R9	47K	Resistor, 1/4W	
R10	4K7	Resistor, 1/4W	
R11	10K	Resistor, 1/4W	
R12	6K2	Resistor, 1/4W	
R13	1K	Resistor, 1/4W	
R14	1M	Resistor, 1/4W	
R15	1M	Resistor, 1/4W	
R16	1K	Resistor, 1/4W	
R17	51K	Resistor, 1/4W	
R18	1K	Resistor, 1/4W	
R19	30K	Resistor, 1/4W	
R20	10K	Resistor, 1/4W	
R21	150K	Resistor, 1/4W	
R22	1K	Resistor, 1/4W	
R23	1M	Resistor, 1/4W	
R24	1M	Resistor, 1/4W	
R25	5K1	Resistor, 1/4W	
R26	12K	Resistor, 1/4W	
R100	47R	Resistor, 1/4W	
CLR	4K7	Resistor, 1/4W	* LED current limiting resistor
C1	1u	Electrolytic capacitor, 5mm	
C2	47n	Film capacitor, 7.2 x 2.5mm	
C3	220p	Ceramic capacitor	
C4	220n	Film capacitor, 7.2 x 5.0mm	
C5	1u	Electrolytic capacitor, 5mm	
C6	4u7	Electrolytic capacitor, 5mm	
C7	100p	Ceramic capacitor	
C8	10u	Electrolytic capacitor, 5mm	
C9	4u7	Electrolytic capacitor, 5mm	
C10	47n	Film capacitor, 7.2 x 2.5mm	
C11	220n	Film capacitor, 7.2 x 5.0mm	
C12	100p	Ceramic capacitor	
C13	1u	Electrolytic capacitor, 5mm	
C14	27n	Film capacitor, 7.2 x 2.5mm	
C15	3n9	Film capacitor, 7.2 x 2.5mm	
C16	22n	Film capacitor, 7.2 x 2.5mm	
C17	1u	Electrolytic capacitor, 5mm	
C18	22n	Film capacitor, 7.2 x 2.5mm	
C19	4u7	Electrolytic capacitor, 5mm	
C20	1n	Film capacitor, 7.2 x 2.5mm	
C21	1u	Electrolytic capacitor, 5mm	
C22	3n9	Film capacitor, 7.2 x 2.5mm	
C100	47u	Electrolytic capacitor, 5mm	
		<i>Continued on next page...</i>	

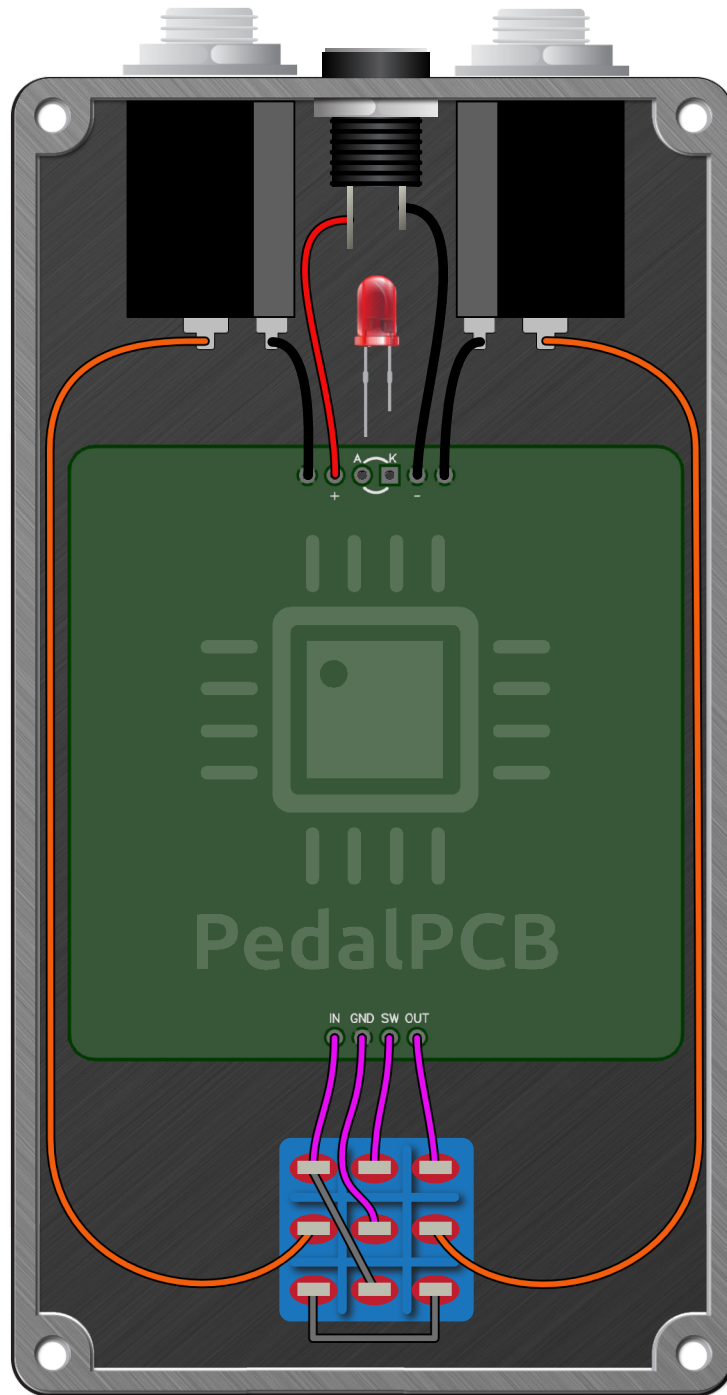
Snozzberry Overdrive

Schematic Diagram



Snozzberry Overdrive

Wiring Diagram



Snozzberry Overdrive

Drill Template
125B Enclosure

