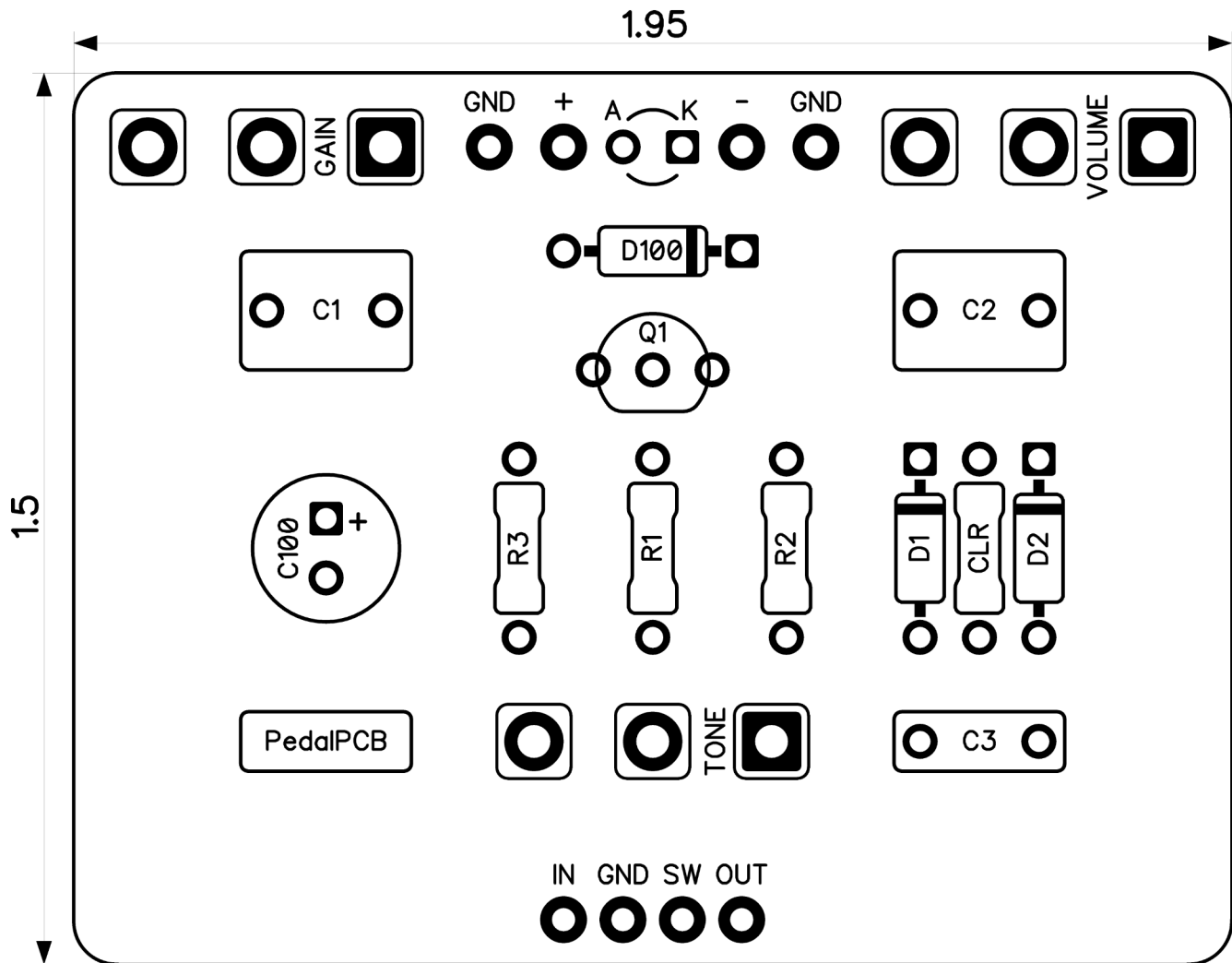


# PedalPCB

## Slumlord Overdrive

Revised 12/15/23



### CONTROLS AND FEATURES

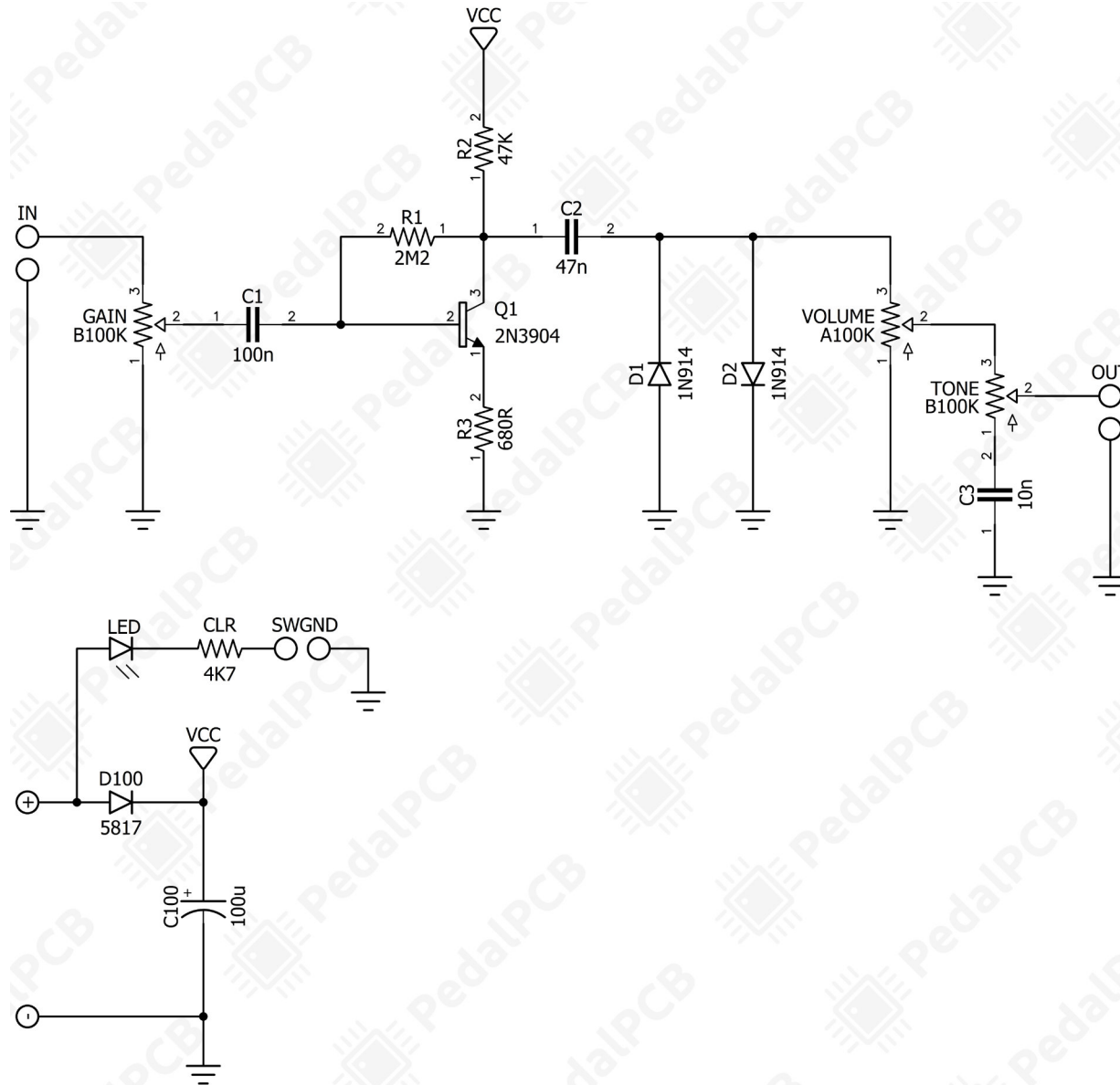
- Volume
- Tone
- Gain

All trademarks and registered trademarks are the property of their respective owners. The company, product, and service names used in this web site are for identification purposes only. Use of these names, logos, and brands does not imply endorsement.



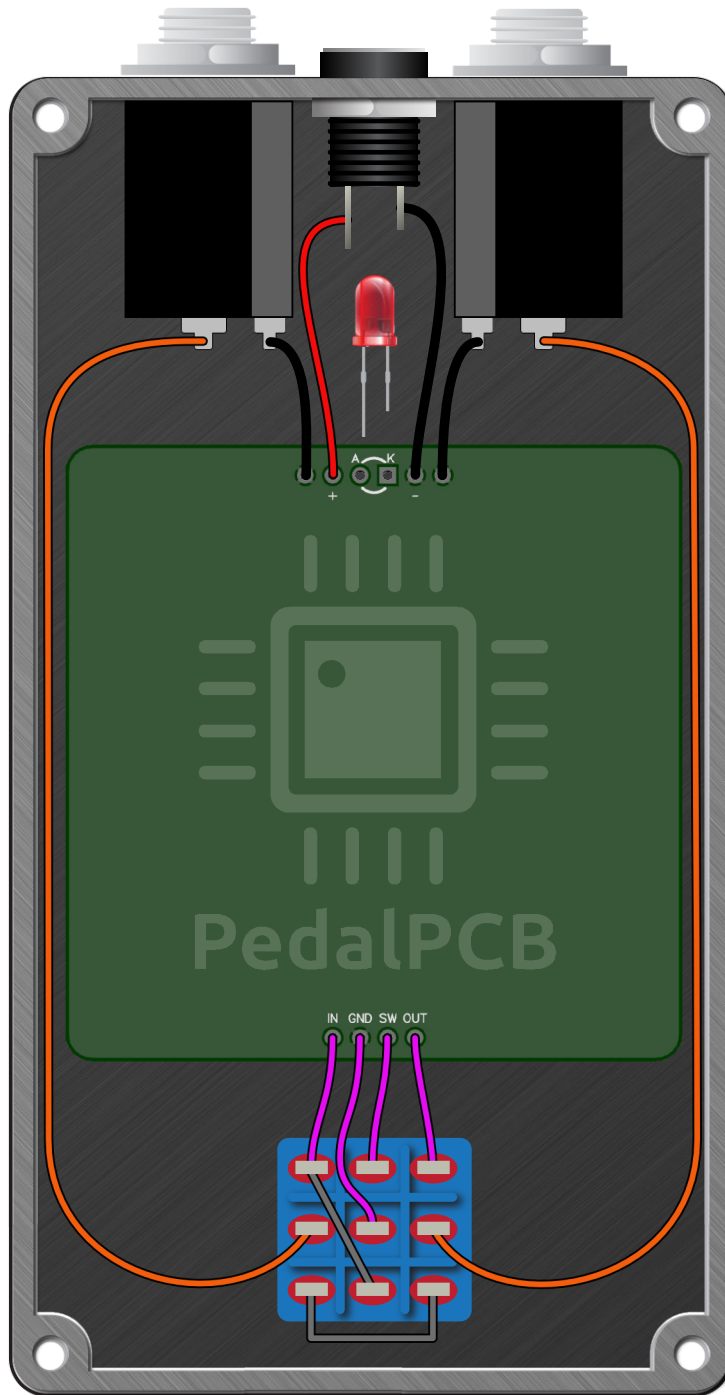
# Slumlord Overdrive

Schematic Diagram



# Slumlord Overdrive

Wiring Diagram



# Slumlord Overdrive

Drill Template  
125B Enclosure

