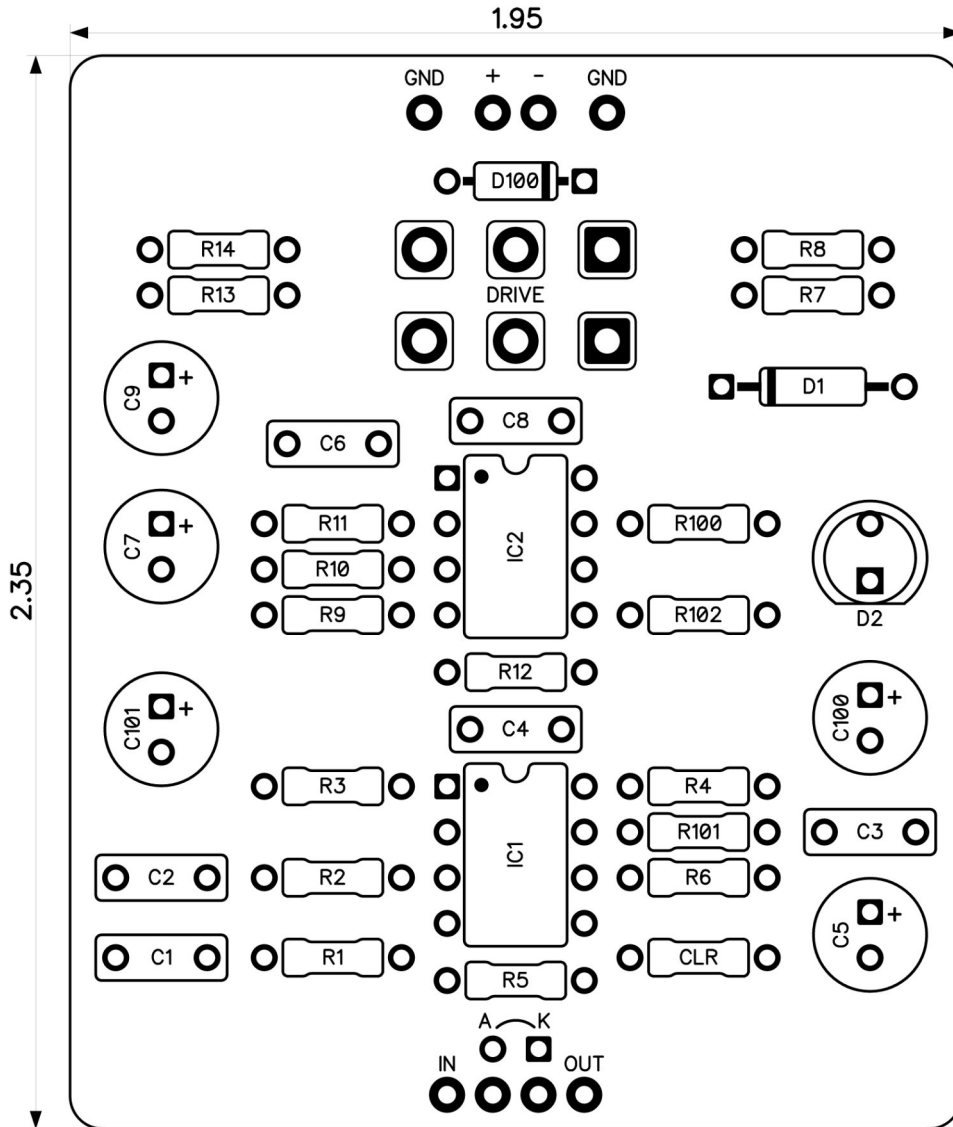


PedalPCB

Slammer Overdrive

Revised 4/2/26



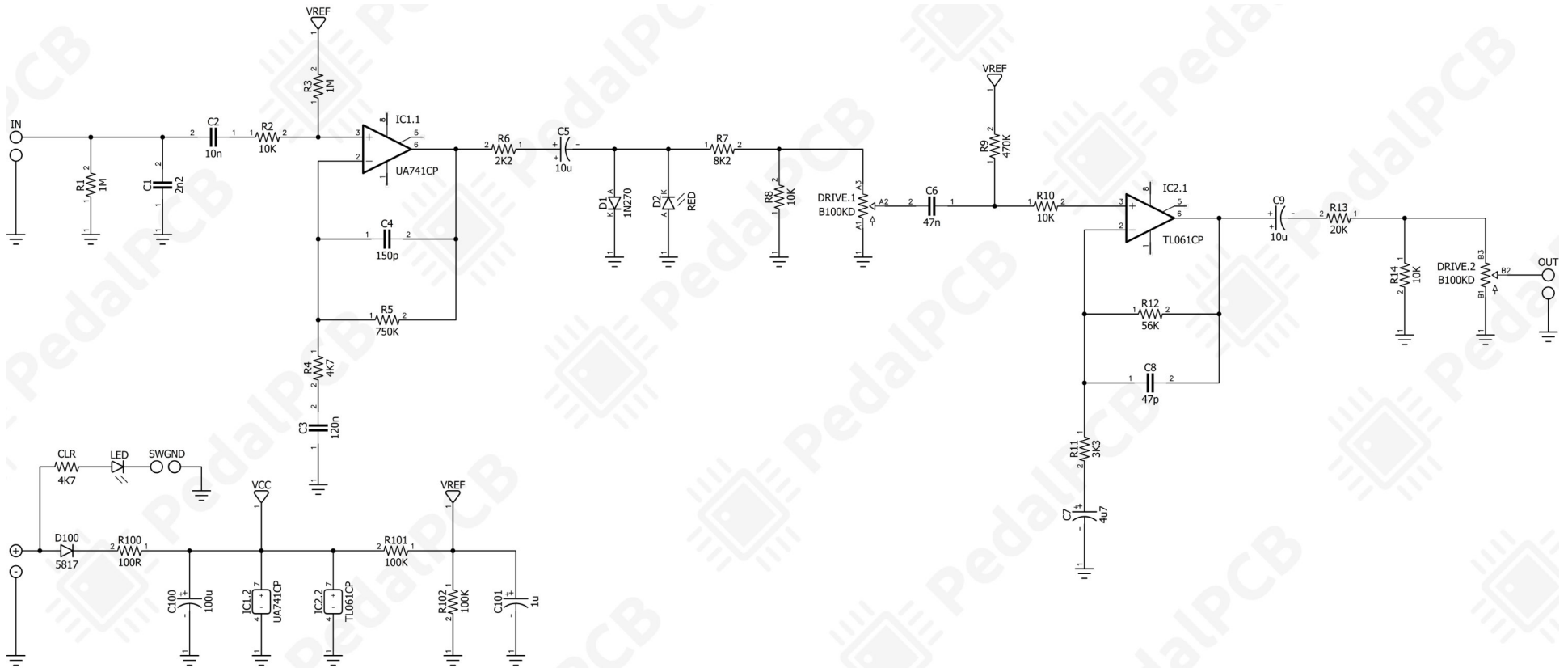
CONTROLS AND FEATURES

- Drive

All trademarks and registered trademarks are the property of their respective owners. The company, product, and service names used in this web site are for identification purposes only. Use of these names, logos, and brands does not imply endorsement.

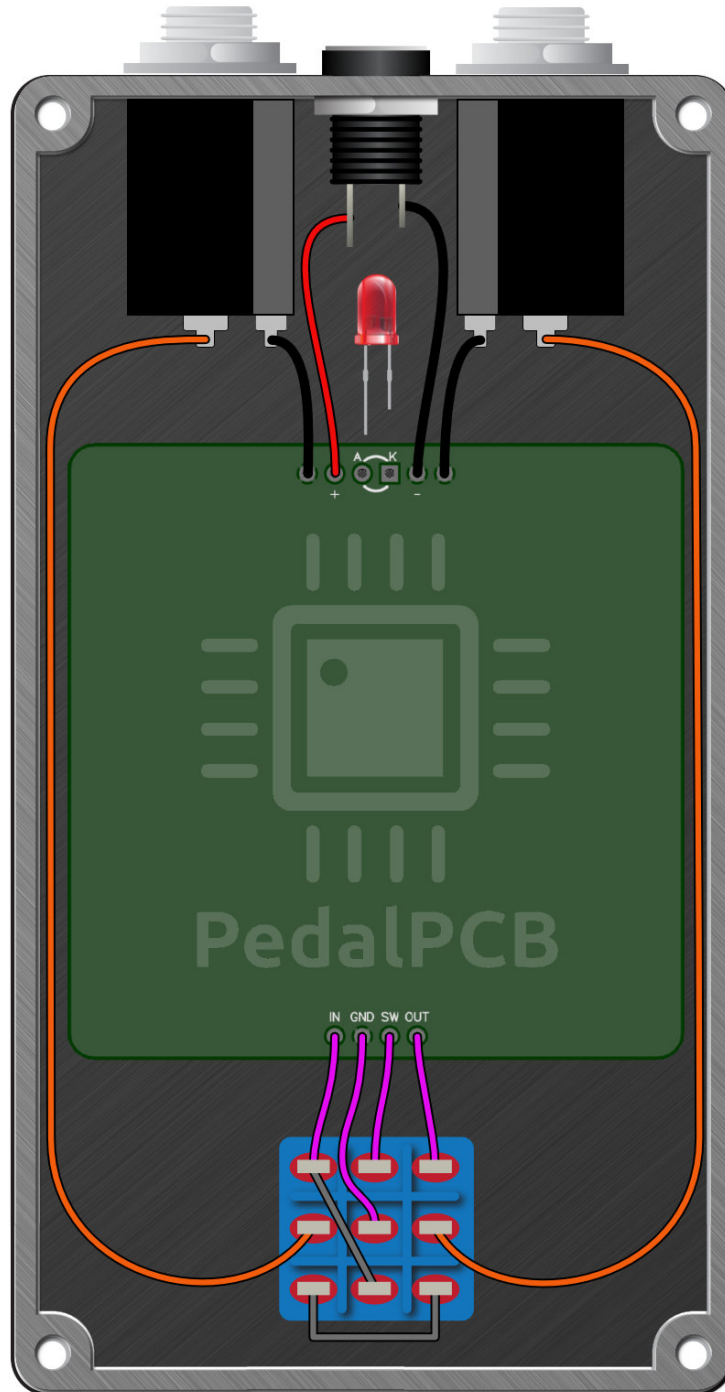
Slammer Overdrive

Schematic Diagram



Slammer Overdrive

Wiring Diagram



Slammer Overdrive

Drill Template
125B Enclosure

