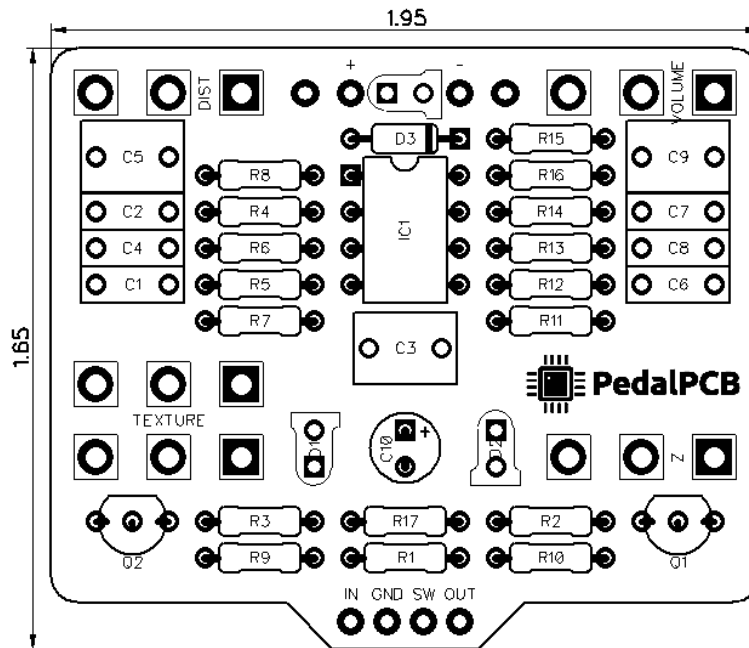


PedalPCB

Skylight Overdrive

Revision 02.11.19



Introduction

The Skylight Overdrive is designed to push an already distorted amplifier, or provide light overdrive to a clean amp tone.

Controls

- **Volume** - Controls the overall output volume
- **Distort** - Controls the amount of distortion
- **Texture** - Interactive control of clipping and overall EQ
- **Z** - Controls the variable input impedance load

All trademarks and registered trademarks are the property of their respective owners. The company, product, and service names used in this web site are for identification purposes only. Use of these names, logos, and brands does not imply endorsement.

Skylight Overdrive

Parts List

RESISTORS

R1 3M
R2 14K7
R3 14K7
R4 1K
R5 1M
R6 1M
R7 5K6
R8 14K7
R9 470R
R10 1K8
R11 47K
R12 47K
R13 470R
R14 1K3
R15 5K1
R16 47R
R17 4K7

CAPACITORS

C1 4n7
C2 220n
C3 1u
C4 100p
C5 1u
C6 100n
C7 220n
C8 100n
C9 1u
C10 100u

POTENTIOMETERS

VOLUME B50K
DIST A1M
TEXTURE B20K DUAL
Z A500K

TRANSISTORS

Q1 2N3819
Q2 2N3819

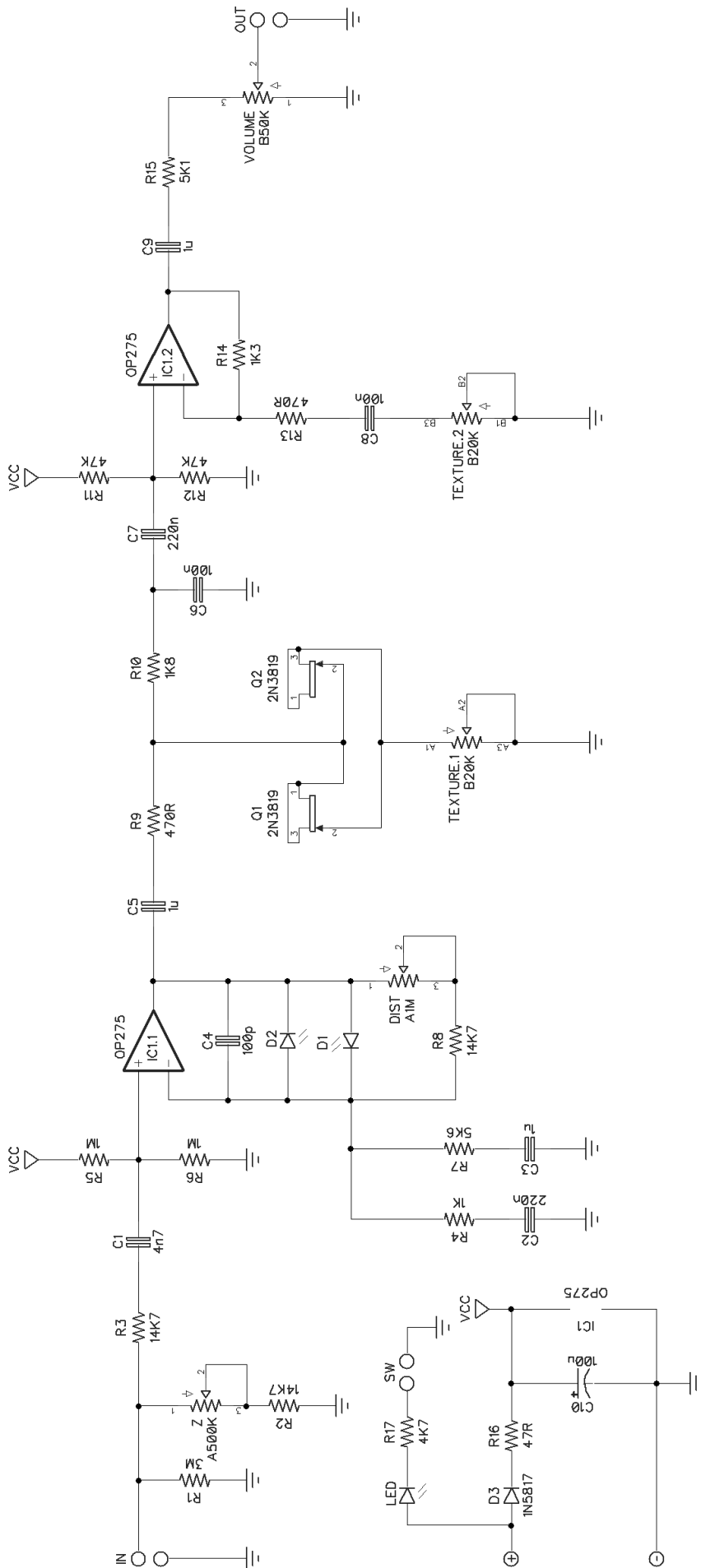
INTEGRATED CIRCUITS

IC1 OP275

DIODES

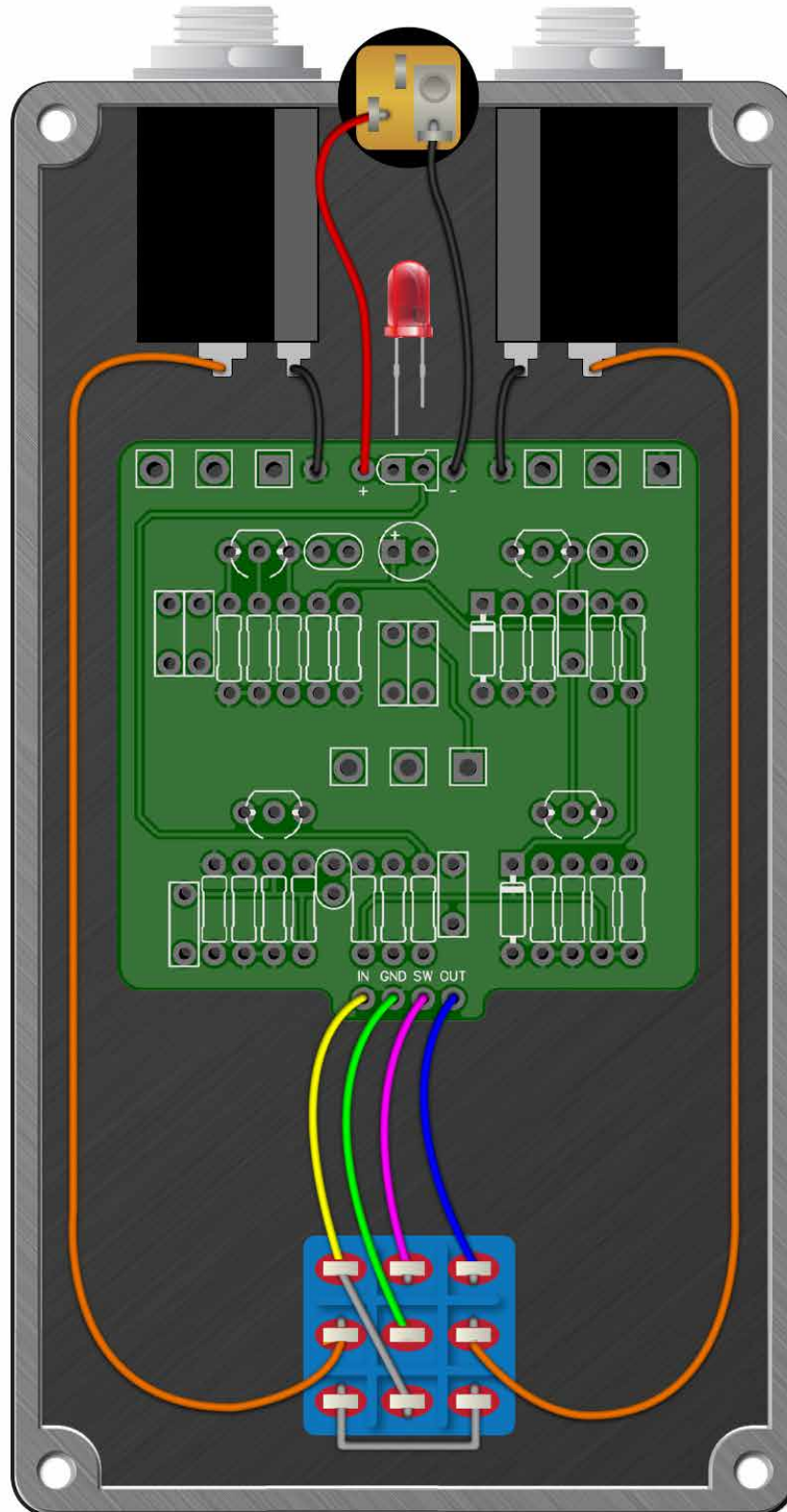
D1 3mm Red LED
D2 3mm Red LED
D3 1N5817

Skylight Overdrive



Skylight Overdrive

Wiring Diagram



Skylight Overdrive

Drill Template
125B enclosure with top mounted jacks

