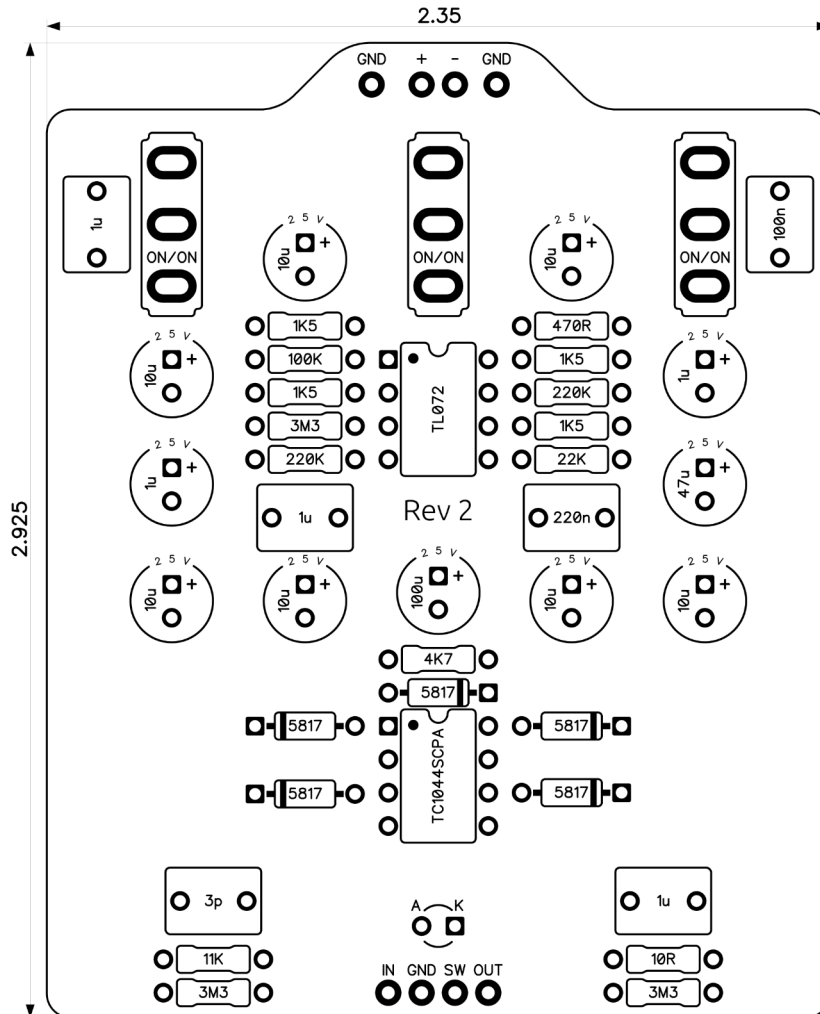


# PedalPCB

## Skeptical Buffer

Component Values

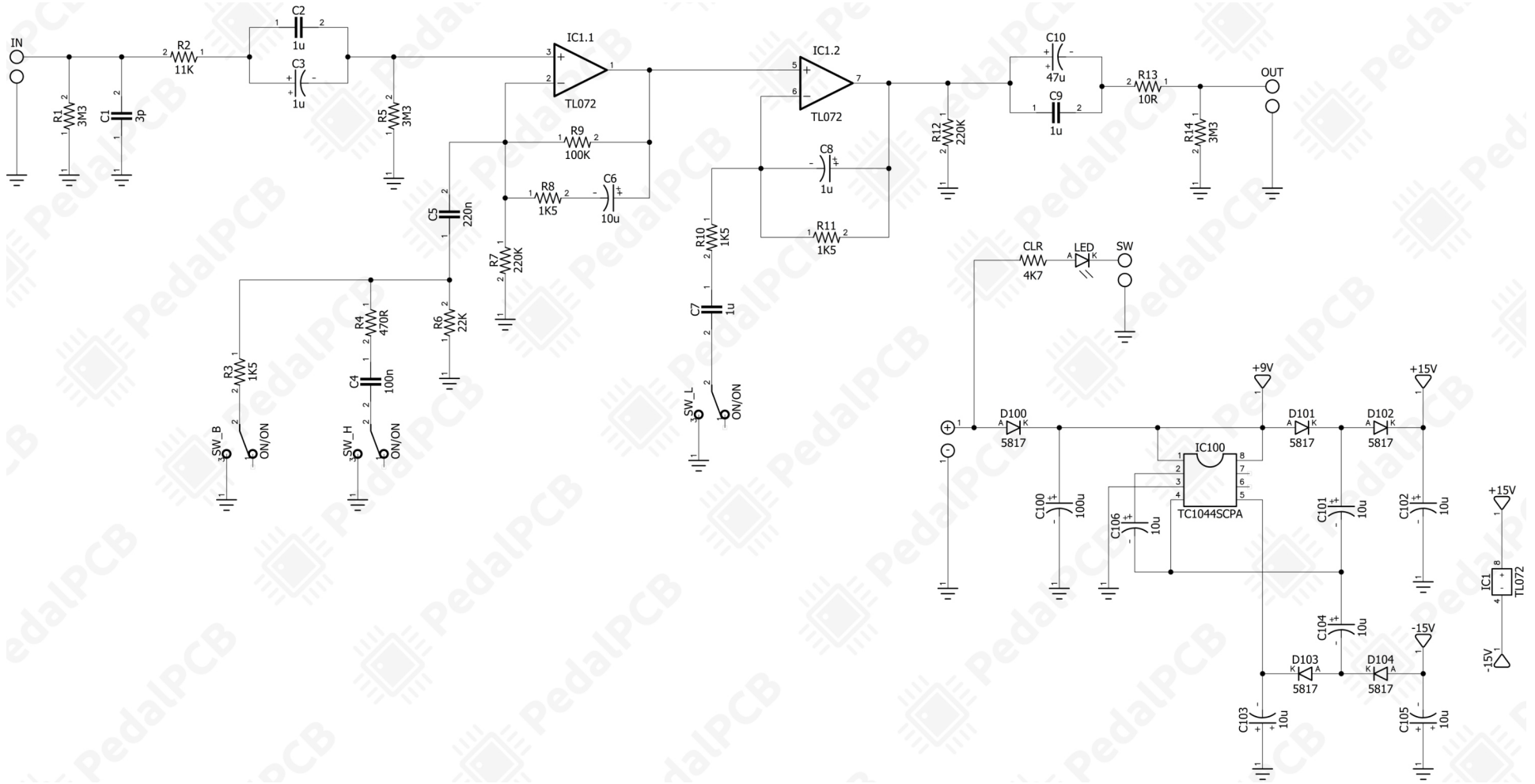


All trademarks and registered trademarks are the property of their respective owners. The company, product, and service names used in this web site are for identification purposes only. Use of these names, logos, and brands does not imply endorsement.

LOCATION	VALUE	TYPE	NOTES
R1	3M3	Resistor, 1/4W	
R2	11K	Resistor, 1/4W	
R3	1K5	Resistor, 1/4W	
R4	470R	Resistor, 1/4W	
R5	3M3	Resistor, 1/4W	
R6	22K	Resistor, 1/4W	
R7	220K	Resistor, 1/4W	
R8	1K5	Resistor, 1/4W	
R9	100K	Resistor, 1/4W	
R10	1K5	Resistor, 1/4W	
R11	1K5	Resistor, 1/4W	
R12	220K	Resistor, 1/4W	
R13	10R	Resistor, 1/4W	
R14	3M3	Resistor, 1/4W	
CLR	4K7	Resistor, 1/4W	* LED current limiting resistor
C1	3p	Ceramic capacitor	
C2	1u	Film capacitor, 7.2 x 5.0mm	
C3	1u	Tantalum capacitor	
C4	100n	Film capacitor, 7.2 x 2.5mm	
C5	220n	Film capacitor, 7.2 x 5.0mm	
C6	10u	Tantalum capacitor	
C7	1u	Film capacitor, 7.2 x 5.0mm	
C8	1u	Tantalum capacitor	
C9	1u	Film capacitor, 7.2 x 5.0mm	
C10	47u	Tantalum capacitor	
C100	100u	Electrolytic capacitor, 5mm	25V minimum
C101	10u	Electrolytic capacitor, 5mm	25V minimum
C102	10u	Electrolytic capacitor, 5mm	25V minimum
C103	10u	Electrolytic capacitor, 5mm	25V minimum
C104	10u	Electrolytic capacitor, 5mm	25V minimum
C105	10u	Electrolytic capacitor, 5mm	25V minimum
C106	10u	Electrolytic capacitor, 5mm	25V minimum
D100	1N5817	Schottky diode, DO-41	
D101	1N5817	Schottky diode, DO-41	
D102	1N5817	Schottky diode, DO-41	
D103	1N5817	Schottky diode, DO-41	
D104	1N5817	Schottky diode, DO-41	
IC1	TL072	Dual op-amp, DIP8	
IC100	TC1044SCPA	Charge pump IC, DIP8	
SW_B	ON/ON	Toggle switch, SPDT	2-position (ON/ON)
SW_H	ON/ON	Toggle switch, SPDT	2-position (ON/ON)
SW_L	ON/ON	Toggle switch, SPDT	2-position (ON/ON)

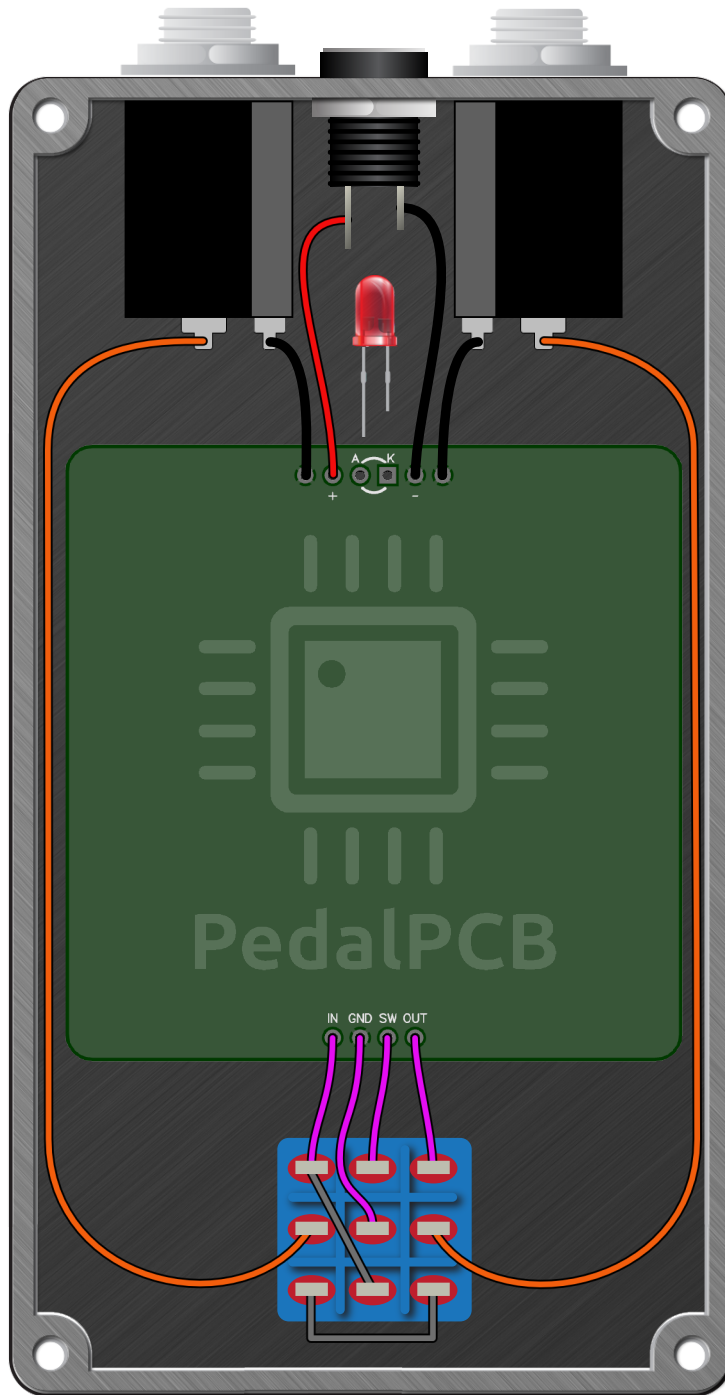
# Skeptical Buffer

## Schematic Diagram



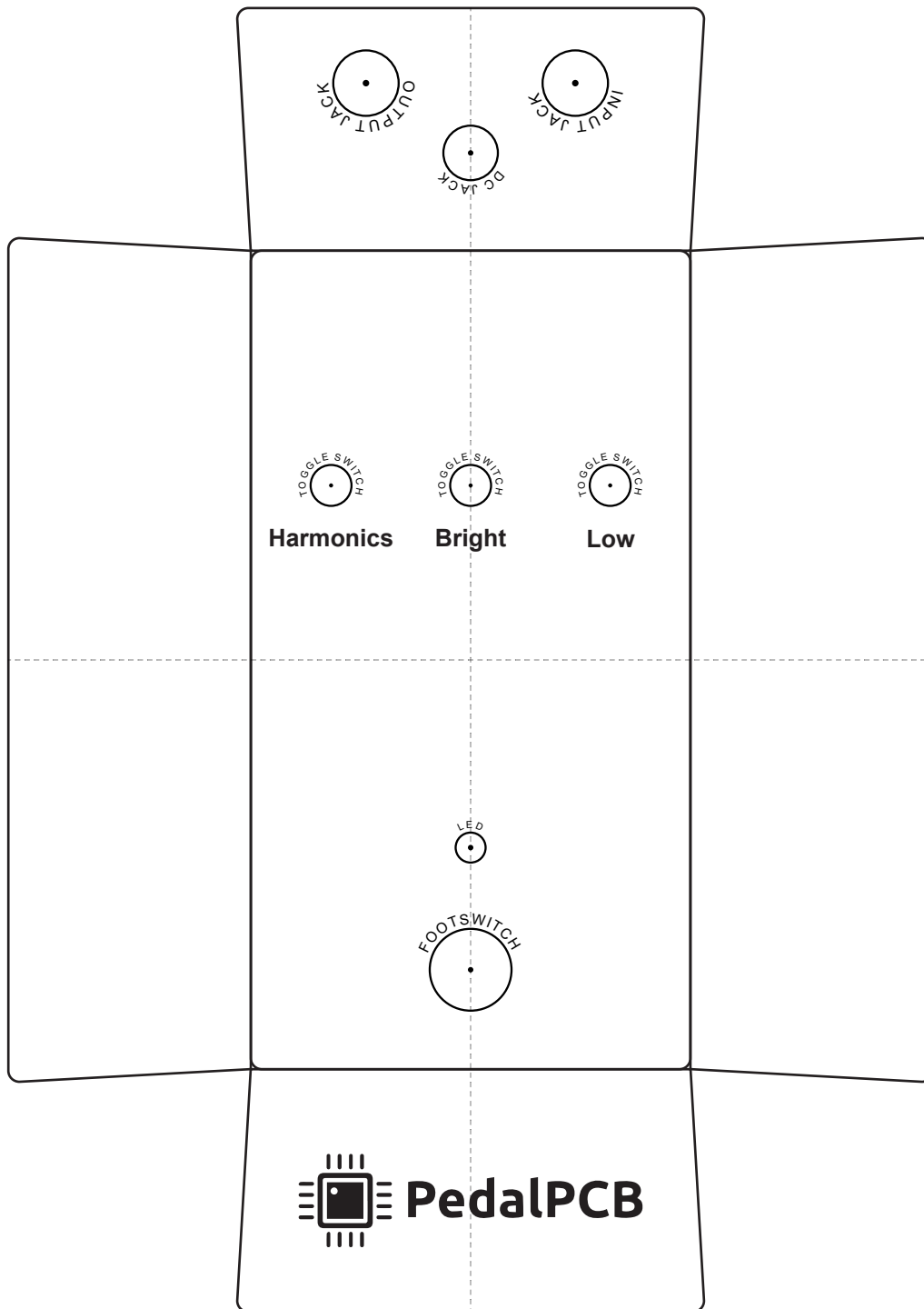
# Skeptical Buffer

Wiring Diagram



# Skeptical Buffer

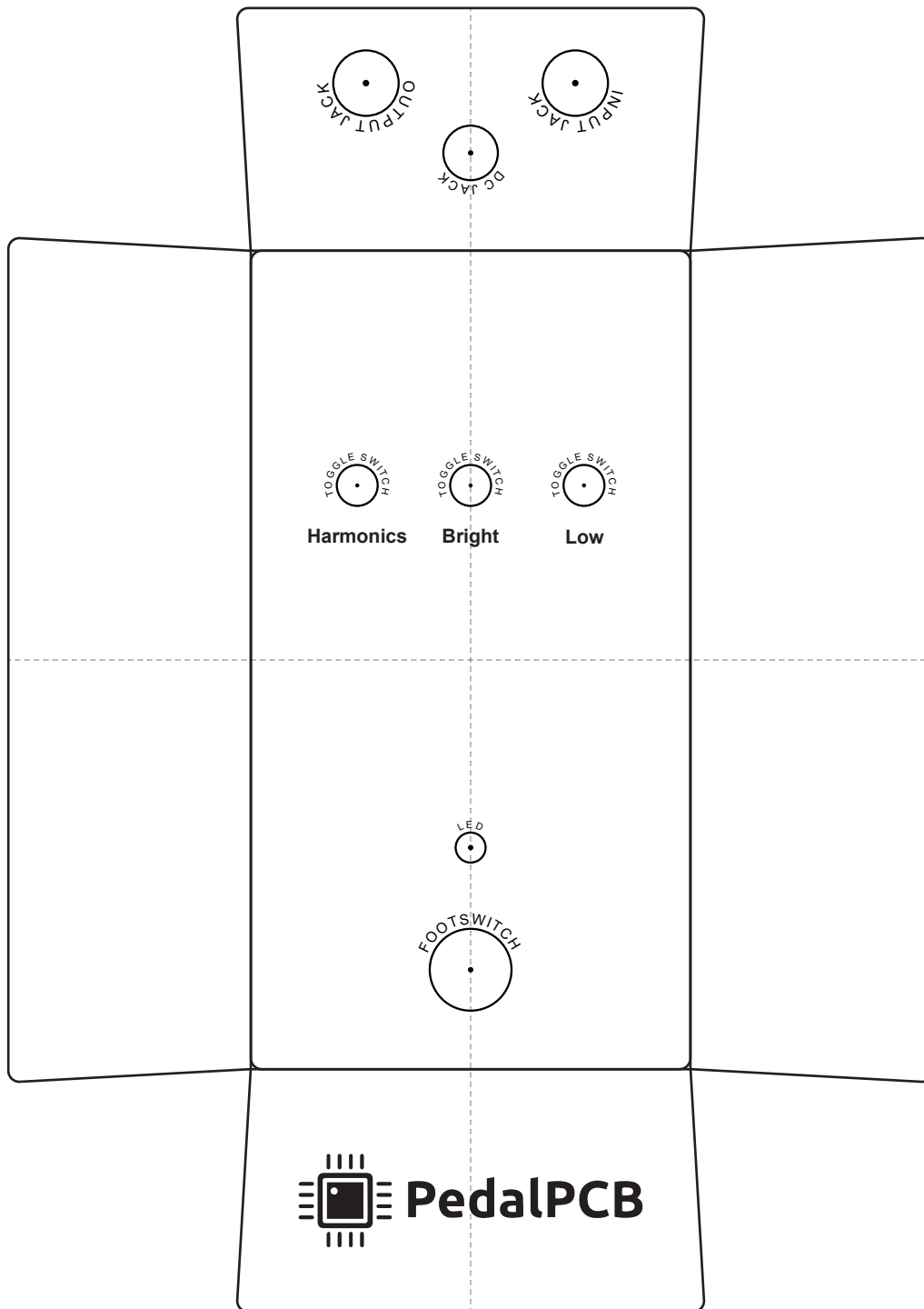
Drill Template  
125B Enclosure



**For Revision 2 PCB  
See next page for Revision 1**

# Skeptical Buffer

Drill Template  
125B Enclosure



**For Revision 1 PCB only**