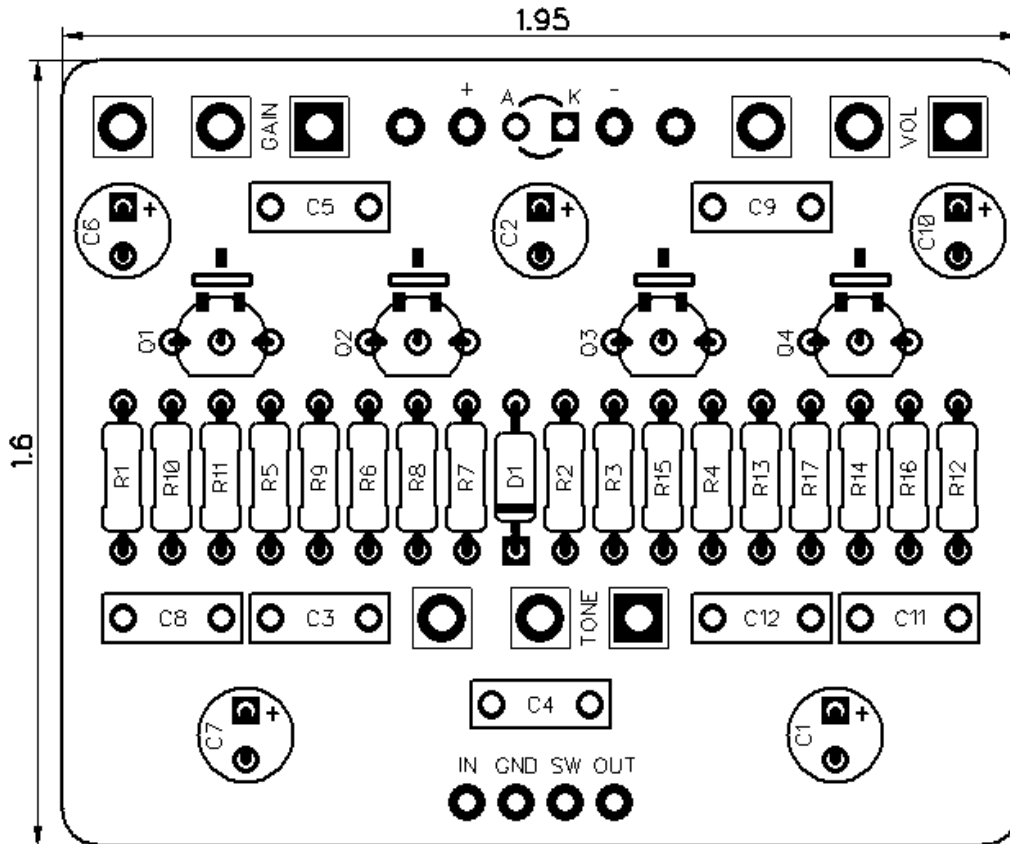


PedalPCB.com

Six String Stinger

Revision 12.08.20



Resistors (1/4W)

| | |
|-----|-----|
| R1 | 2M2 |
| R2 | 4K7 |
| R3 | 10K |
| R4 | 10K |
| R5 | 1M |
| R6 | 1M |
| R7 | 10K |
| R8 | 10K |
| R9 | 10K |
| R10 | 10K |
| R11 | 10K |
| R12 | 10K |
| R13 | 1M |
| R14 | 10K |
| R15 | 10K |
| R16 | 22K |
| R17 | 10K |

Capacitors

| | |
|-----|------|
| C1 | 100u |
| C2 | 100u |
| C3 | 10n |
| C4 | 100n |
| C5 | 68n |
| C6 | 1u |
| C7 | 100u |
| C8 | 2n2 |
| C9 | 68n |
| C10 | 1u |
| C11 | 2n2 |
| C12 | 2n2 |

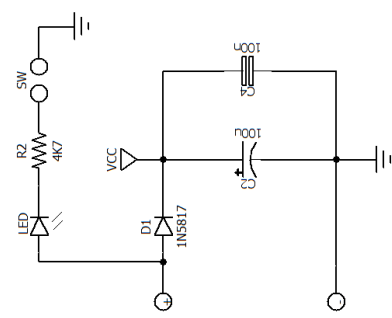
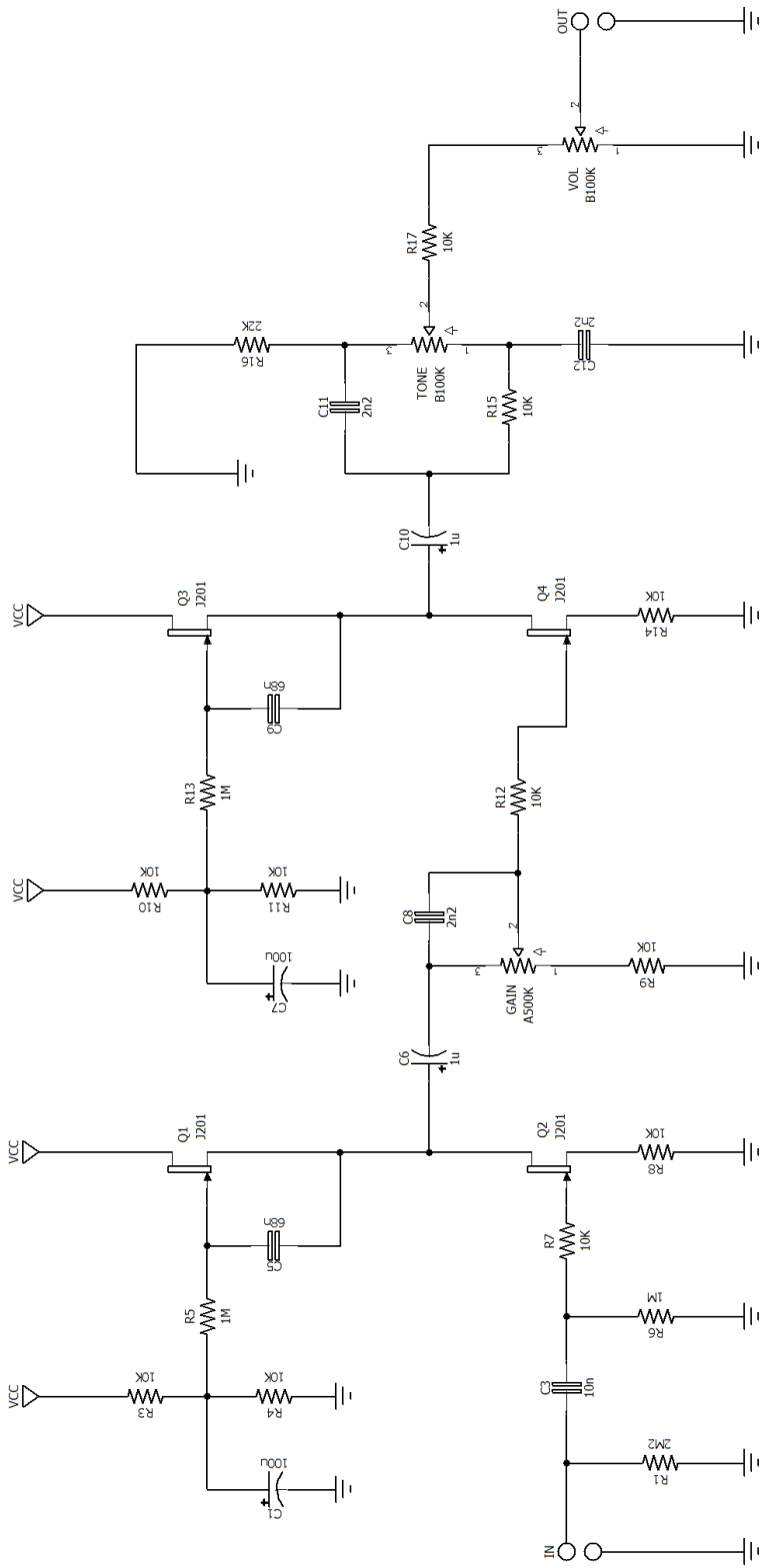
Semiconductors

| | |
|----|--------|
| Q1 | J201 |
| Q2 | J201 |
| Q3 | J201 |
| Q4 | J201 |
| D1 | 1N5817 |

Potentiometers

| | |
|------|-------|
| VOL | B100K |
| TONE | B100K |
| GAIN | A500K |

Six String Stinger



Wiring Diagram

