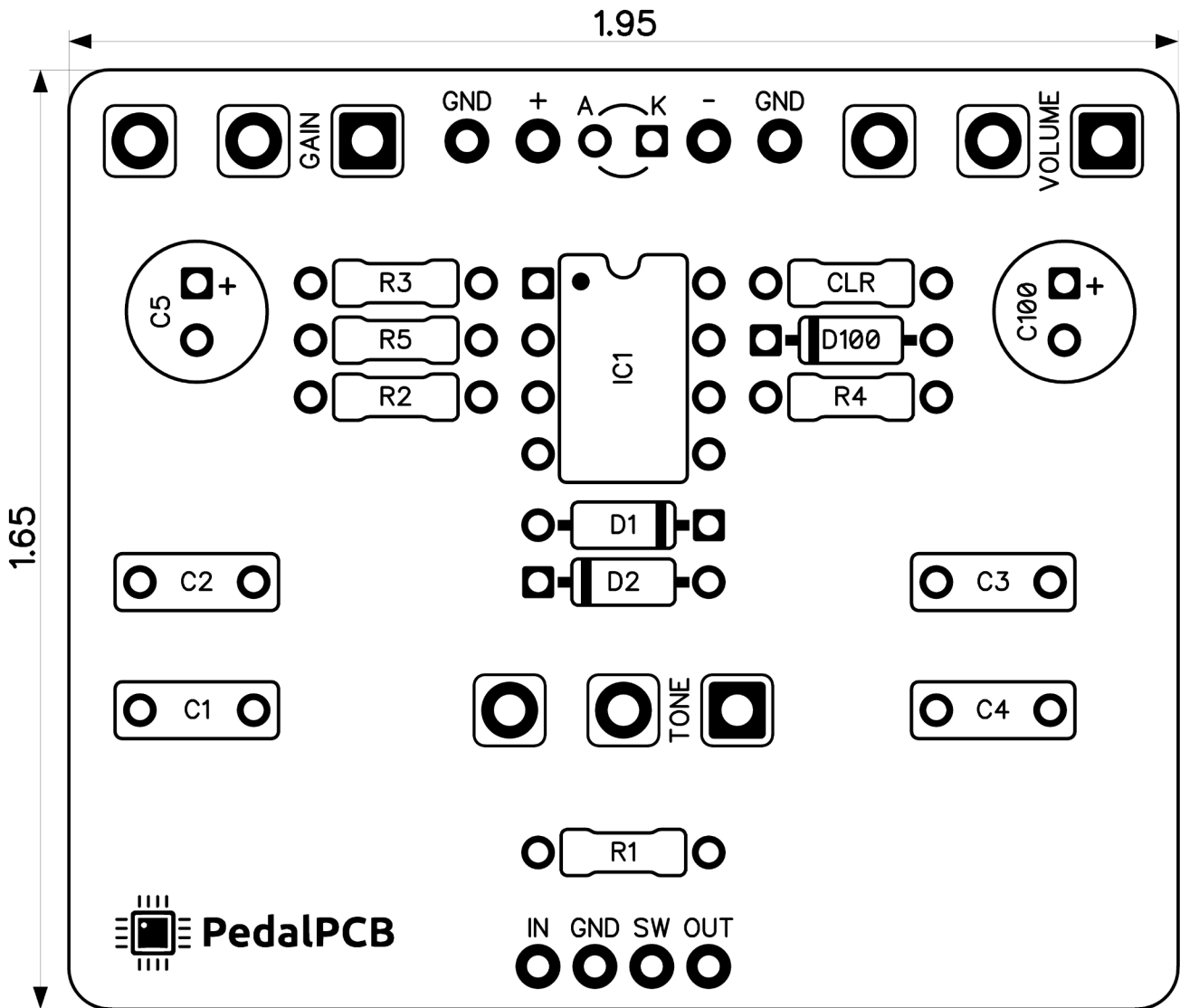


# PedalPCB

## Simpletone Distortion

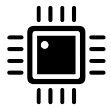
Revised 12/29/23



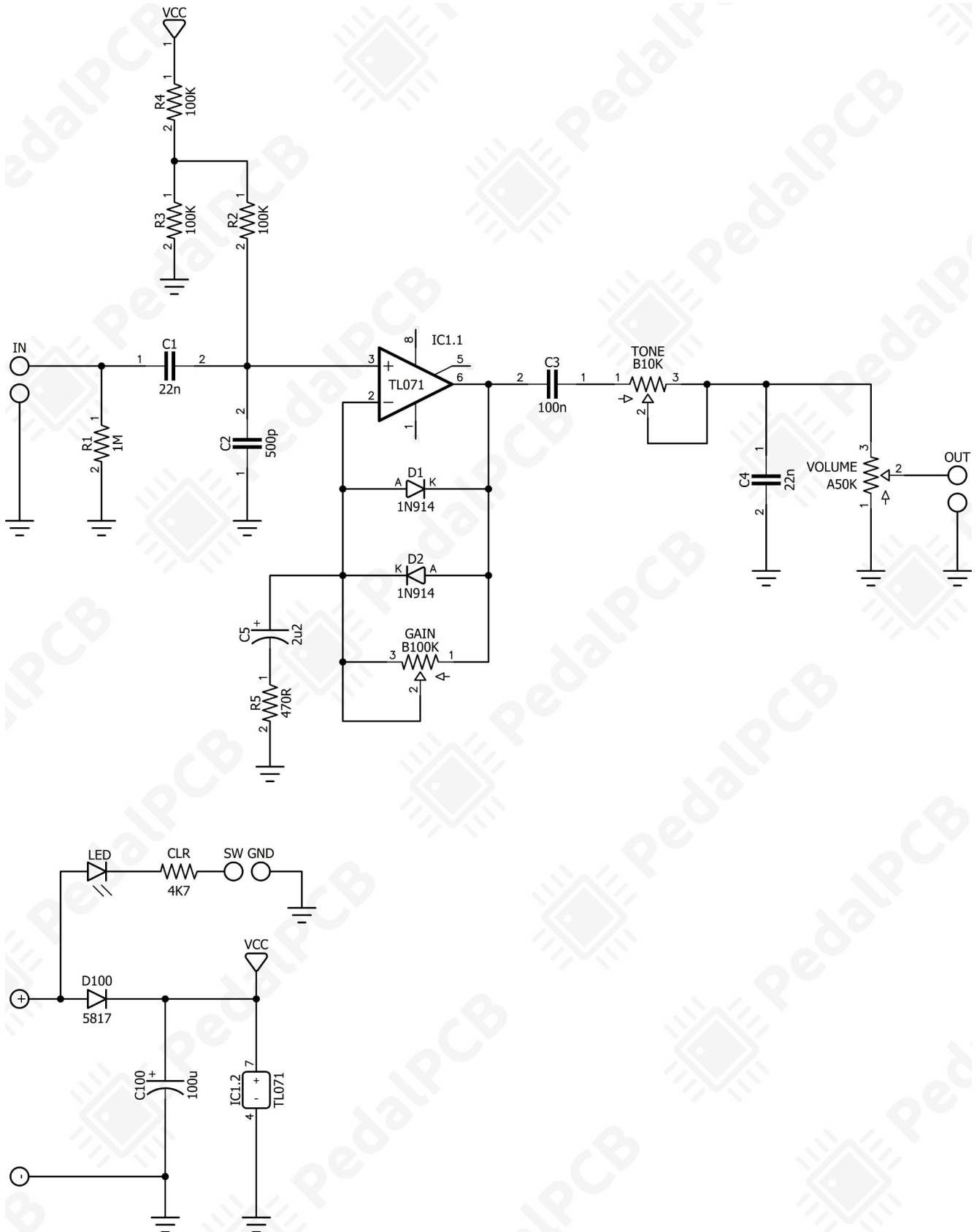
### CONTROLS AND FEATURES

- Volume
- Tone
- Gain

All trademarks and registered trademarks are the property of their respective owners. The company, product, and service names used in this web site are for identification purposes only. Use of these names, logos, and brands does not imply endorsement.



LOCATION	VALUE	TYPE	NOTES
R1	1M	Resistor, 1/4W	
R2	100K	Resistor, 1/4W	
R3	100K	Resistor, 1/4W	
R4	100K	Resistor, 1/4W	
R5	470R	Resistor, 1/4W	
CLR	4K7	Resistor, 1/4W	* <i>LED current limiting resistor</i>
C1	22n	Film capacitor, 7.2 x 2.5mm	
C2	500p	Ceramic capacitor	
C3	100n	Film capacitor, 7.2 x 2.5mm	
C4	22n	Film capacitor, 7.2 x 2.5mm	
C5	2u2	Electrolytic capacitor, 5mm	
C100	100u	Electrolytic capacitor, 5mm	
D1	1N914	Signal diode, DO-35	
D2	1N914	Signal diode, DO-35	
D100	1N5817	Schottky diode, DO-41	
IC1	TL071	Single op-amp, DIP8	
VOLUME	A50K	16mm right-angle PCB mount pot	
TONE	B10K	16mm right-angle PCB mount pot	
GAIN	B100K	16mm right-angle PCB mount pot	



# Simpletone Distortion

Wiring Diagram



# Simpletone Distortion

Drill Template  
125B Enclosure

