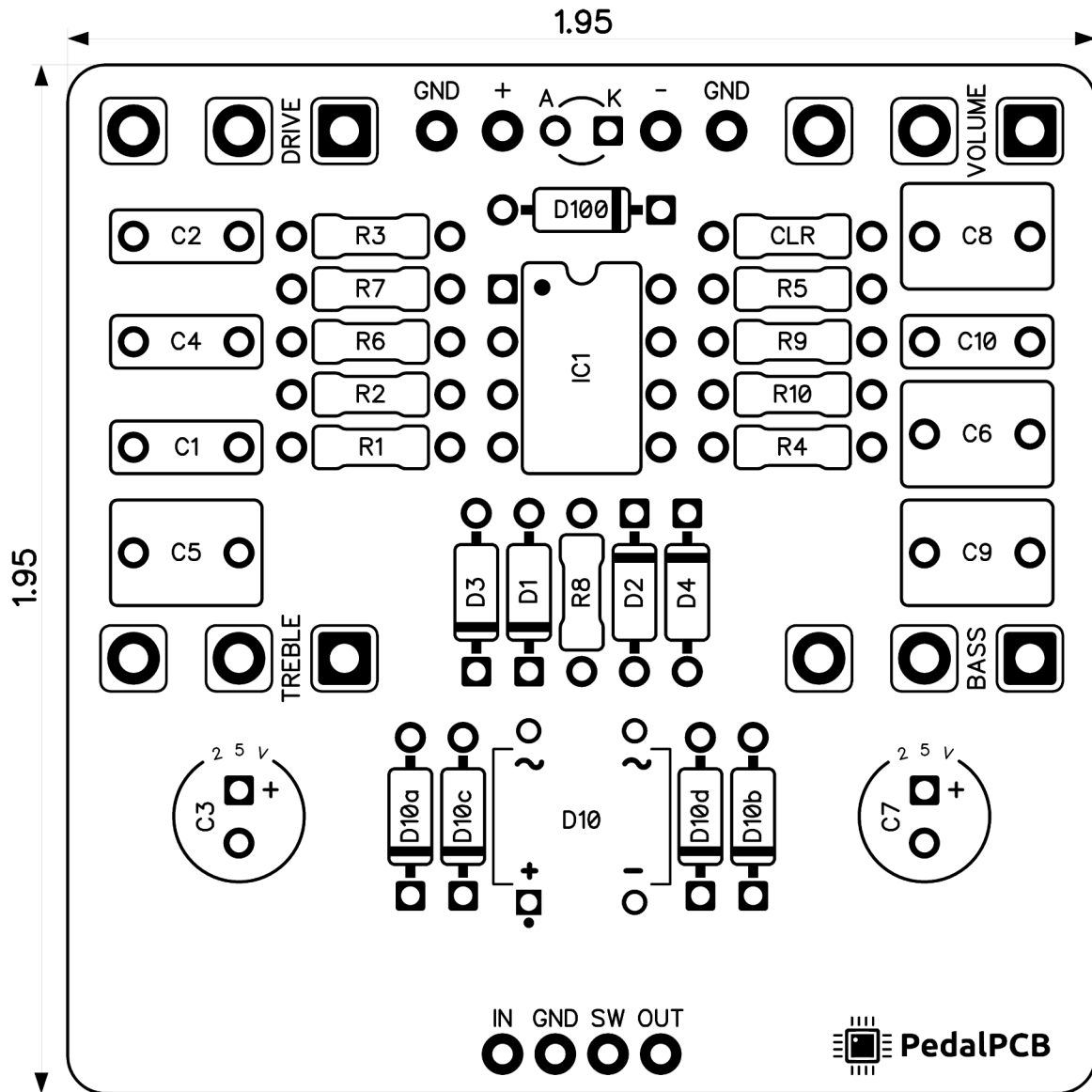


PedalPCB

Shindig Overdrive

Revised 12/15/23

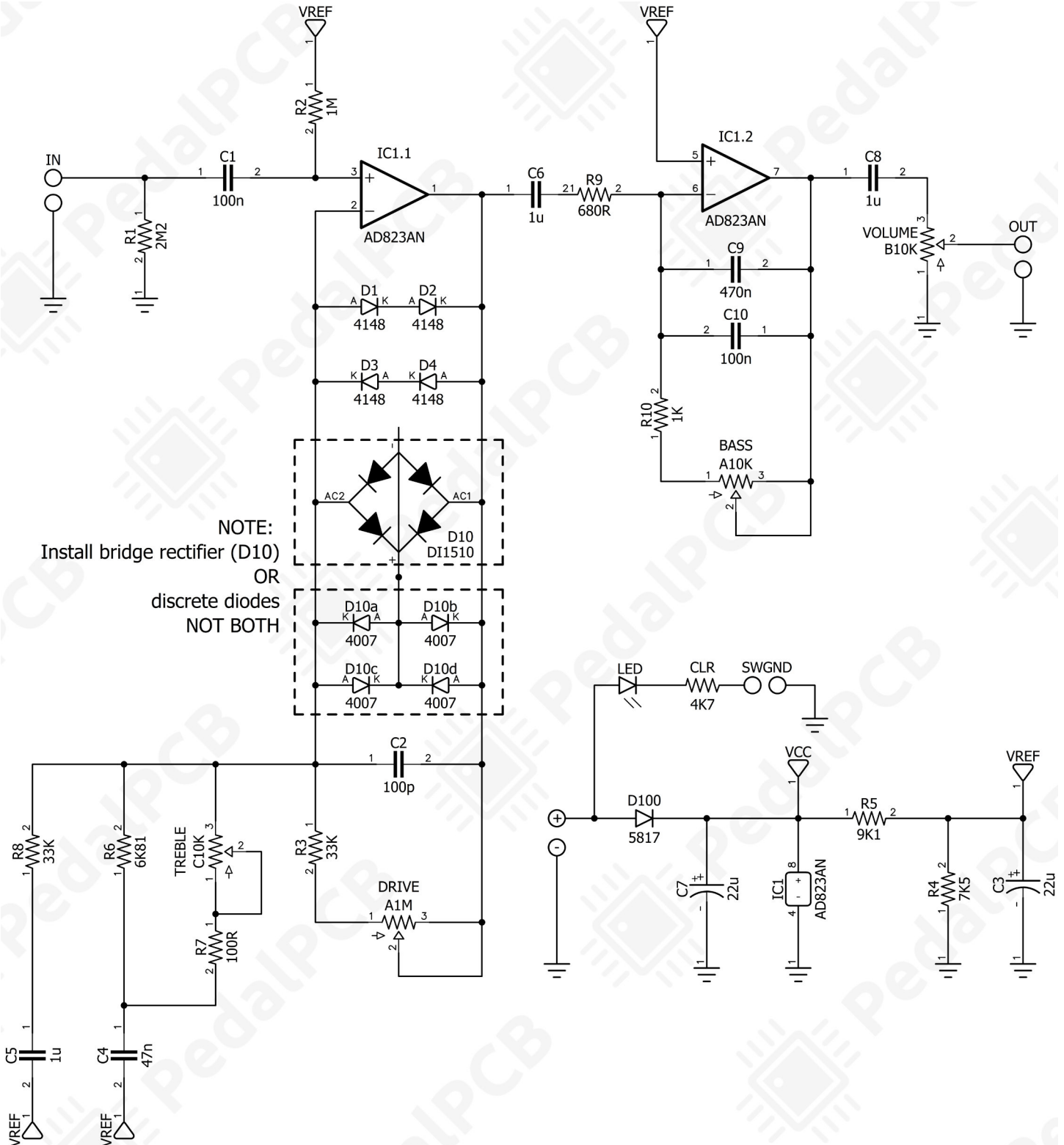


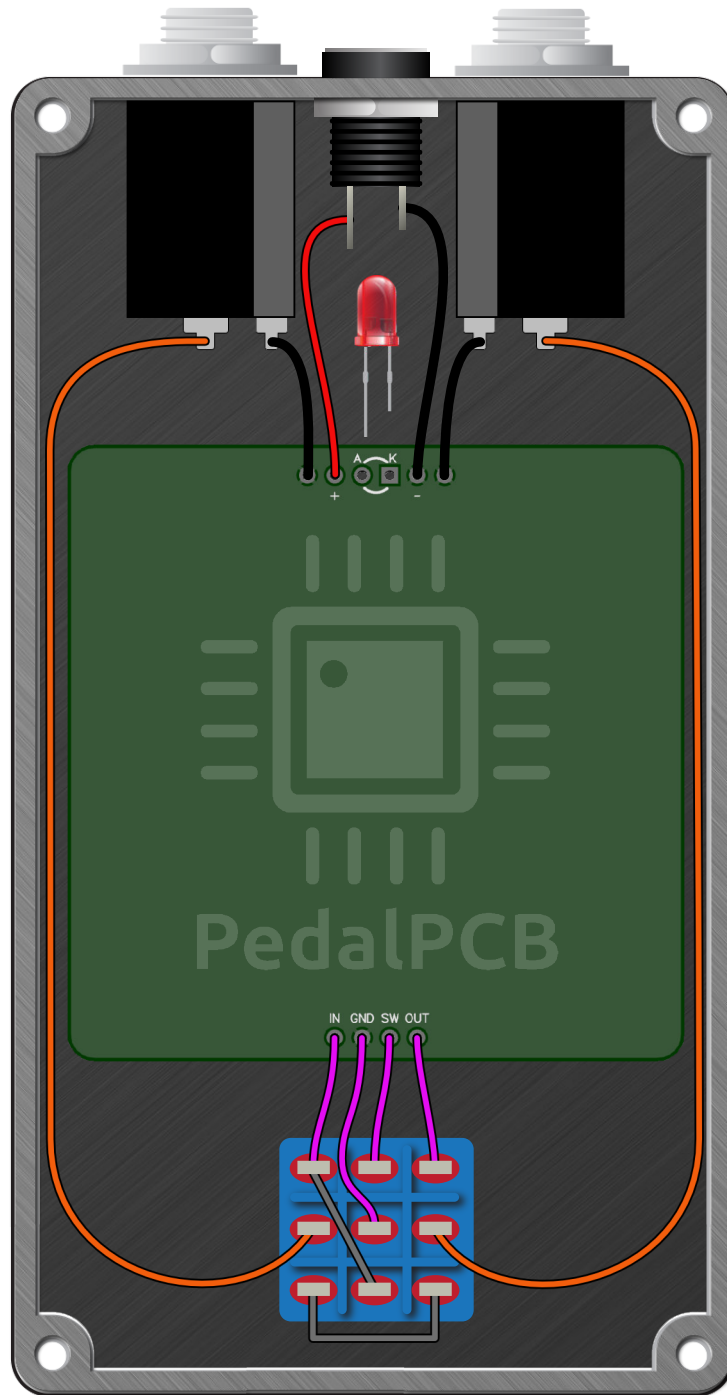
CONTROLS AND FEATURES

- Volume
- Drive
- Bass
- Treble

All trademarks and registered trademarks are the property of their respective owners. The company, product, and service names used in this web site are for identification purposes only. Use of these names, logos, and brands does not imply endorsement.

LOCATION	VALUE	TYPE	NOTES
R1	2M2	Resistor, 1/4W	
R2	1M	Resistor, 1/4W	
R3	33K	Resistor, 1/4W	
R4	7K5	Resistor, 1/4W	
R5	9K1	Resistor, 1/4W	
R6	6K81	Resistor, 1/4W	
R7	100R	Resistor, 1/4W	
R8	33K	Resistor, 1/4W	
R9	680R	Resistor, 1/4W	
R10	1K	Resistor, 1/4W	
CLR	4K7	Resistor, 1/4W	* LED current limiting resistor
C1	100n	Film capacitor, 7.2 x 2.5mm	
C2	100p	Ceramic capacitor	
C3	22u	Electrolytic capacitor, 5mm	
C4	47n	Film capacitor, 7.2 x 2.5mm	
C5	1u	Film capacitor, 7.2 x 5.0mm	
C6	1u	Film capacitor, 7.2 x 5.0mm	
C7	22u	Electrolytic capacitor, 5mm	
C8	1u	Ceramic capacitor	
C9	470n	Film capacitor, 7.2 x 5.0mm	
C10	100n	Film capacitor, 7.2 x 2.5mm	
D1	1N4148	Signal diode, DO-35	
D2	1N4148	Signal diode, DO-35	
D3	1N4148	Signal diode, DO-35	
D4	1N4148	Signal diode, DO-35	
D100	1N5817	Schottky diode, DO-41	
D10	DI1510	Full-wave bridge rectifier	
		OR	
D10a	1N4007	Standard recovery diode, DO-41	
D10b	1N4007	Standard recovery diode, DO-41	
D10c	1N4007	Standard recovery diode, DO-41	
D10d	1N4007	Standard recovery diode, DO-41	
IC1	AD823AN	Dual op-amp, DIP8	
VOLUME	B10K	16mm right-angle PCB mount pot	
DRIVE	A1M	16mm right-angle PCB mount pot	
BASS	A10K	16mm right-angle PCB mount pot	
TREBLE	C10K	16mm right-angle PCB mount pot	





Shindig Overdrive

Drill Template
125B Enclosure

