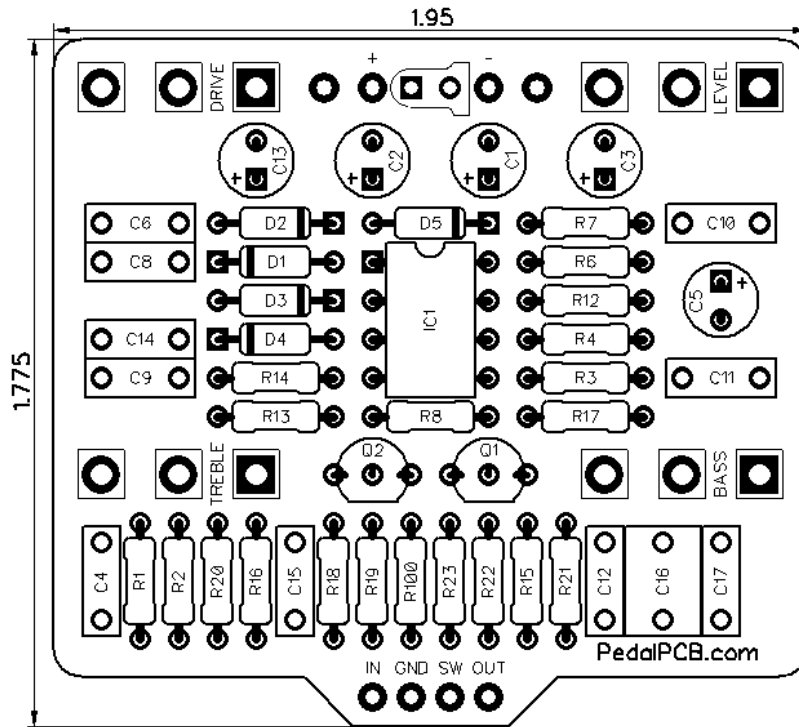




PedalPCB.com

Sherwood Overdrive

Revision 10.30.19



Resistors

R1	1K
R2	1M
R3	150K
R4	1K
R6	10R
R7	1K
R8	4K7
R12	150K
R13	4K7
R14	470K
R15	47K
R16	47K
R17	1M
R18	33K
R19	6K2
R20	6K2
R21	6K2
R22	6K2
R23	33K
R100	4K7

Capacitors

C1	100u
C2	100u
C3	1u
C4	100p
C5	1u
C6	100p
C8	220n
C9	100n
C10	100n
C11	100p
C12	100n
C13	10u
C14	4n7
C15	4n7
C16	1u
C17	100n

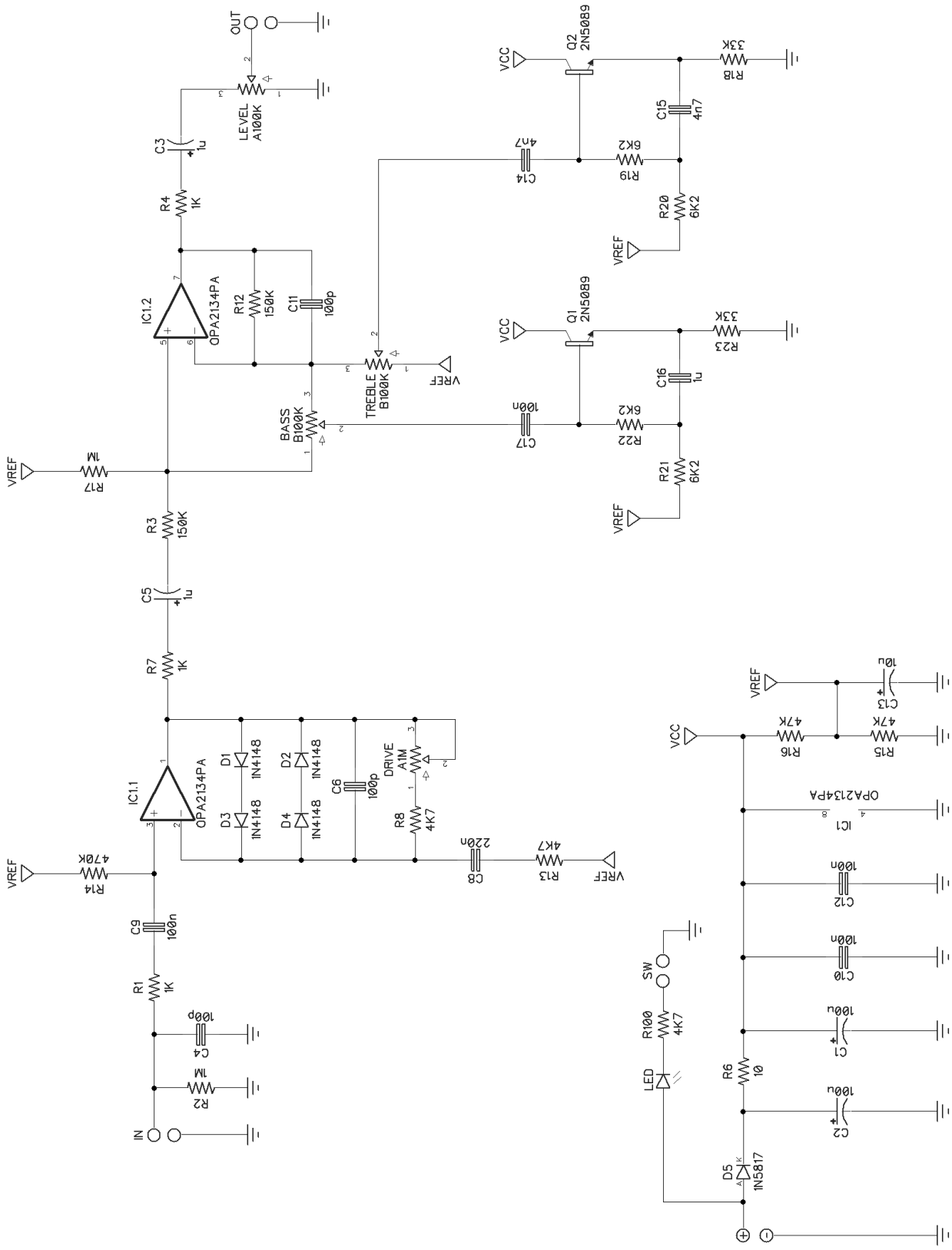
Semiconductors

IC1	OPA2134PA
Q1	2N5089
Q2	2N5089
D1	1N4148
D2	1N4148
D3	1N4148
D4	1N4148
D5	1N5817

Potentiometers

DRIVE	A1M
LEVEL	A100K
BASS	B100K
TREBLE	B100K

Sherwood Overdrive



Wiring Diagram

