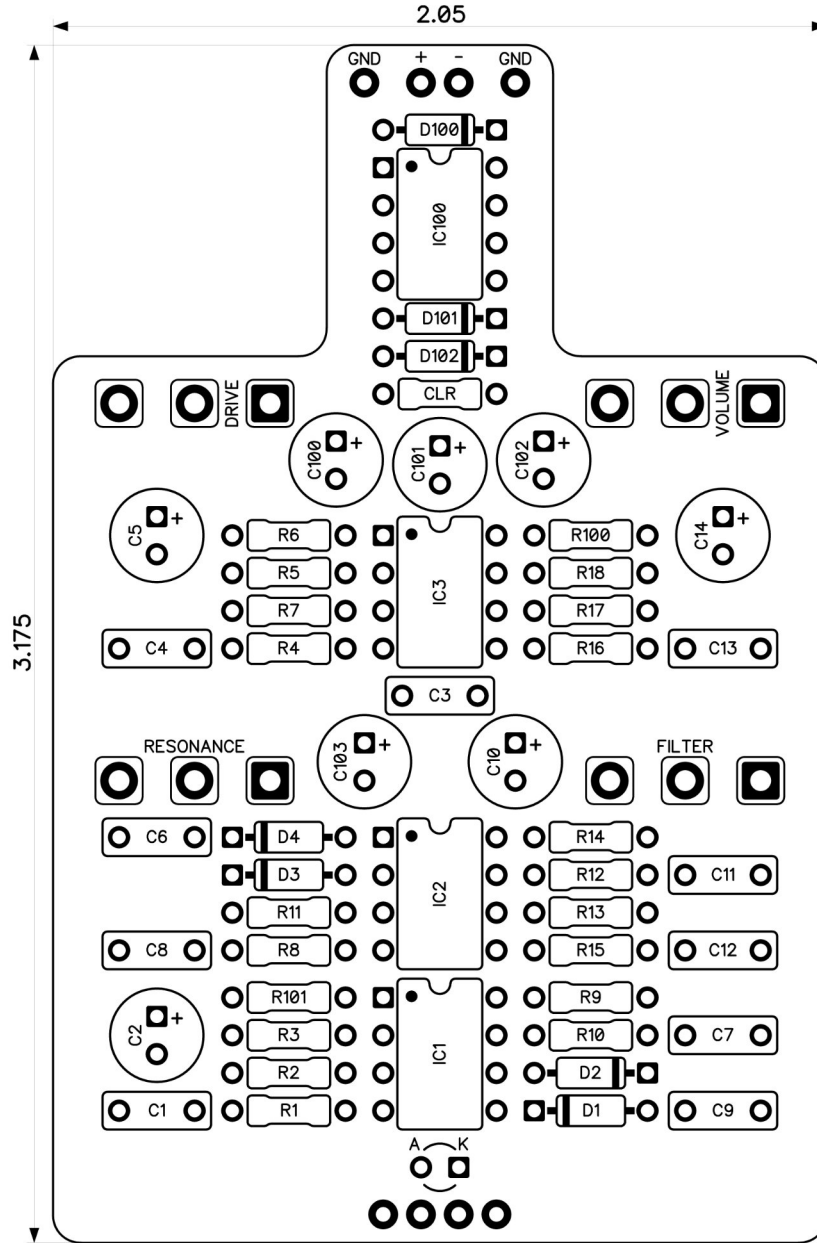


PedalPCB

Sequel Distortion

Revised 12/16/23



CONTROLS AND FEATURES

- Volume
- Drive
- Filter
- Resonance

All trademarks and registered trademarks are the property of their respective owners. The company, product, and service names used in this web site are for identification purposes only. Use of these names, logos, and brands does not imply endorsement.

LOCATION	VALUE	TYPE	NOTES
R1	1M	Resistor, 1/4W	
R2	1K	Resistor, 1/4W	
R3	1M	Resistor, 1/4W	
R4	4K7	Resistor, 1/4W	
R5	240K	Resistor, 1/4W	
R6	2K	Resistor, 1/4W	
R7	36K	Resistor, 1/4W	
R8	10K	Resistor, 1/4W	
R9	75K	Resistor, 1/4W	
R10	300K	Resistor, 1/4W	
R11	1M	Resistor, 1/4W	
R12	36K	Resistor, 1/4W	
R13	75K	Resistor, 1/4W	
R14	3K	Resistor, 1/4W	
R15	300K	Resistor, 1/4W	
R16	10K	Resistor, 1/4W	
R17	10K	Resistor, 1/4W	
R18	10K	Resistor, 1/4W	
R100	10K	Resistor, 1/4W	
R101	10K	Resistor, 1/4W	
CLR	4K7	Resistor, 1/4W	* LED current limiting resistor
C1	100n	Film capacitor, 7.2 x 2.5mm	
C2	1u	Electrolytic capacitor, 5mm	
C3	20p	Ceramic capacitor	
C4	22n	Film capacitor, 7.2 x 2.5mm	
C5	10u	Electrolytic capacitor, 5mm	
C6	35n	Film capacitor, 7.2 x 2.5mm	
C7	50p	Ceramic capacitor	
C8	35n	Film capacitor, 7.2 x 2.5mm	
C9	22n	Film capacitor, 7.2 x 2.5mm	
C10	1u	Electrolytic capacitor, 5mm	
C11	22n	Film capacitor, 7.2 x 2.5mm	
C12	22n	Film capacitor, 7.2 x 2.5mm	
C13	1n	Film capacitor, 7.2 x 2.5mm	
C14	1u	Electrolytic capacitor, 5mm	
C100	100u	Electrolytic capacitor, 5mm	
C101	10u	Electrolytic capacitor, 5mm	⚡ 25V minimum
C102	100u	Electrolytic capacitor, 5mm	⚡ 25V minimum
C103	10u	Electrolytic capacitor, 5mm	
D1	1N914	Signal diode, DO-35	
D2	1N914	Signal diode, DO-35	
D3	1N914	Signal diode, DO-35	
D4	1N914	Signal diode, DO-35	
D100	1N5817	Schottky diode, DO-41	
D101	1N5817	Schottky diode, DO-41	
D102	1N5817	Schottky diode, DO-41	
IC1	TL072	Dual op-amp, DIP8	
IC2	TL072	Dual op-amp, DIP8	
IC3	TL072	Dual op-amp, DIP8	
IC100	ICL7660SCPA	Charge pump IC, DIP8	
VOLUME	A50K	16mm right-angle PCB mount pot	
DRIVE	B50K	16mm right-angle PCB mount pot	
FILTER	A500K	16mm right-angle PCB mount pot	
RESONANCE	B50K	16mm right-angle PCB mount pot	

Sequel Distortion

Wiring Diagram



Sequel Distortion

Drill Template
125B Enclosure

