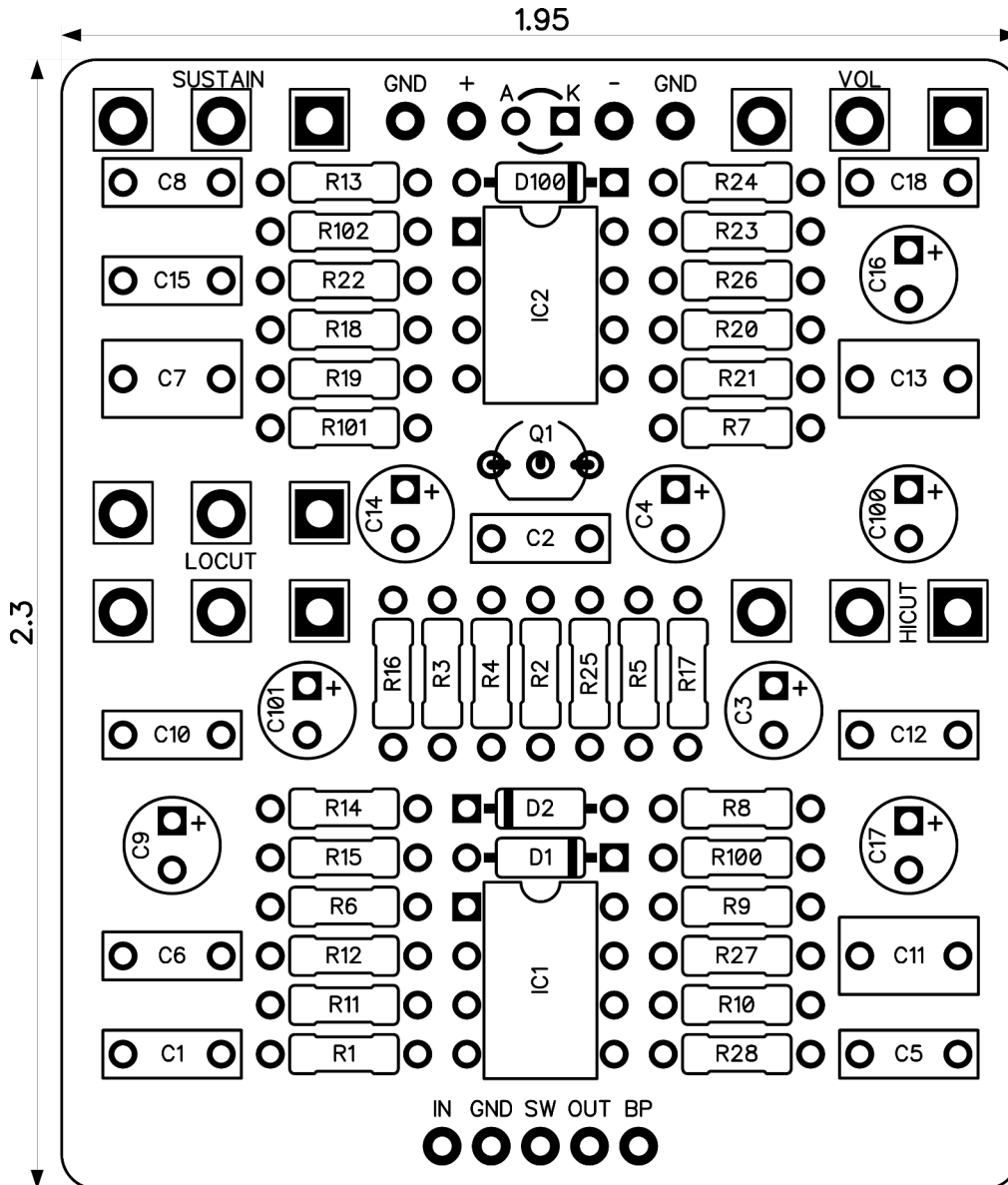




# SemiSweet Distortion 3

Revised 2/13/24



## CONTROLS AND FEATURES

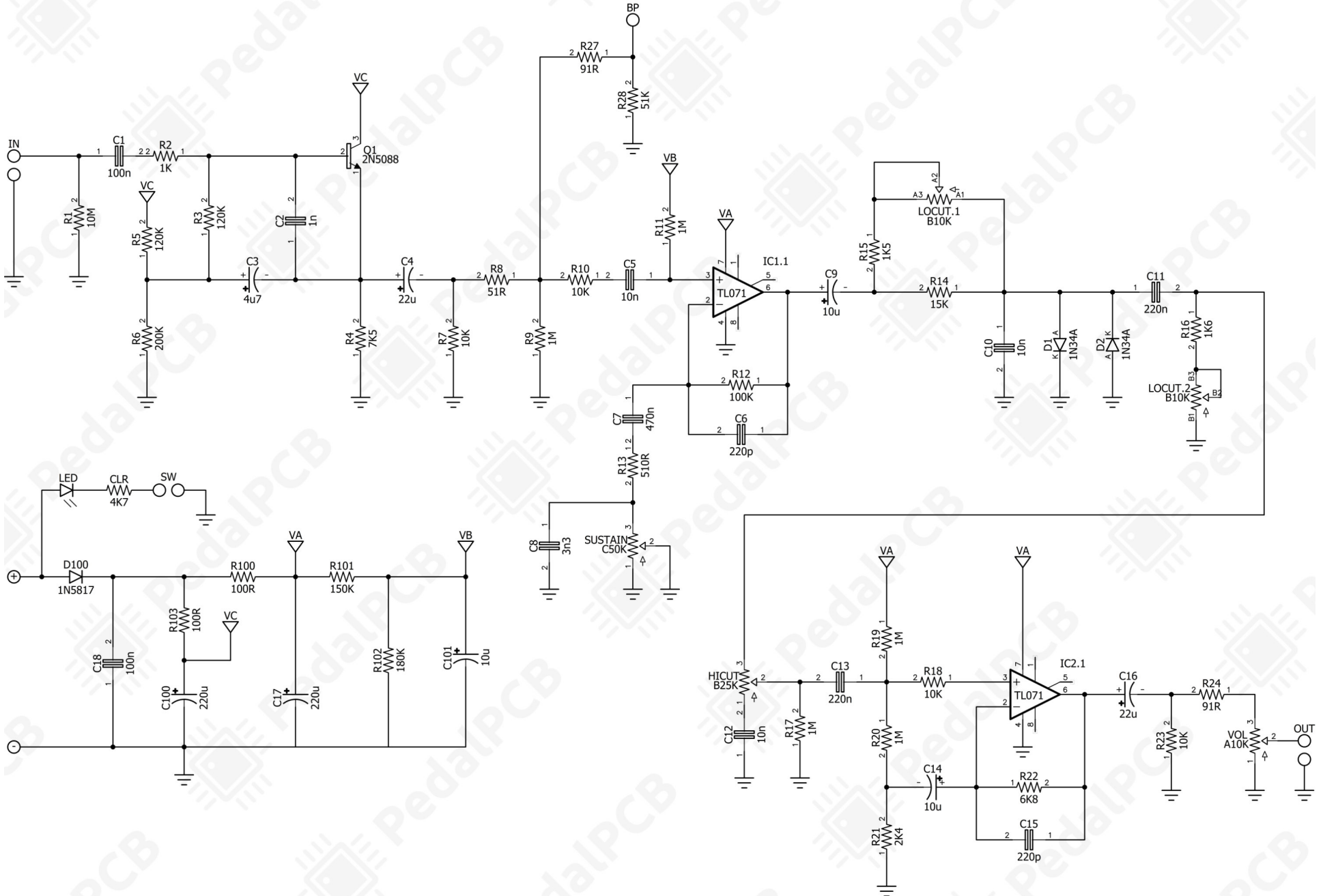
- Volume
- Sustain
- Hi Cut
- Lo Cut

All trademarks and registered trademarks are the property of their respective owners. The company, product, and service names used in this web site are for identification purposes only. Use of these names, logos, and brands does not imply endorsement.

LOCATION	VALUE	TYPE	NOTES
R1	10M	Resistor, 1/4W	
R2	1K	Resistor, 1/4W	
R3	120K	Resistor, 1/4W	
R4	7K5	Resistor, 1/4W	
R5	120K	Resistor, 1/4W	
R6	200K	Resistor, 1/4W	
R7	10K	Resistor, 1/4W	
R8	51R	Resistor, 1/4W	
R9	1M	Resistor, 1/4W	
R10	10K	Resistor, 1/4W	
R11	1M	Resistor, 1/4W	
R12	100K	Resistor, 1/4W	
R13	510R	Resistor, 1/4W	
R14	15K	Resistor, 1/4W	
R15	1K5	Resistor, 1/4W	
R16	1K6	Resistor, 1/4W	
R17	1M	Resistor, 1/4W	
R18	10K	Resistor, 1/4W	
R19	1M	Resistor, 1/4W	
R20	1M	Resistor, 1/4W	
R21	2K4	Resistor, 1/4W	
R22	6K8	Resistor, 1/4W	
R23	10K	Resistor, 1/4W	
R24	91R	Resistor, 1/4W	
R27	91R	Resistor, 1/4W	
R28	51K	Resistor, 1/4W	
R100	100R	Resistor, 1/4W	
R101	150K	Resistor, 1/4W	
R102	180K	Resistor, 1/4W	
R103	100R	Resistor, 1/4W	
CLR	4K7	Resistor, 1/4W	* LED current limiting resistor
C1	100n	Film capacitor, 7.2 x 2.5mm	
C2	1n	Film capacitor, 7.2 x 2.5mm	
C3	4u7	Electrolytic capacitor, 5mm	
C4	22u	Electrolytic capacitor, 5mm	
C5	10n	Film capacitor, 7.2 x 2.5mm	
C6	220p	Ceramic capacitor	
C7	470n	Film capacitor, 7.2 x 5.0mm	
C8	3n3	Film capacitor, 7.2 x 2.5mm	
C9	10u	Electrolytic capacitor, 5mm	
C10	10n	Film capacitor, 7.2 x 2.5mm	
C11	220n	Film capacitor, 7.2 x 5.0mm	
C12	10n	Film capacitor, 7.2 x 2.5mm	
C13	220n	Film capacitor, 7.2 x 5.0mm	
C14	10u	Electrolytic capacitor, 5mm	
C15	220p	Ceramic capacitor	
C16	22u	Electrolytic capacitor, 5mm	
C17	220u	Electrolytic capacitor, 5mm	
C18	100n	Film capacitor, 7.2 x 2.5mm	
C100	220u	Electrolytic capacitor, 5mm	
C101	10u	Electrolytic capacitor, 5mm	
D1	1N34A	Germanium diode	
D2	1N34A	Germanium diode	
D100	1N5817	Schottky diode, DO-41	
Q1	2N5088	BJT transistor, NPN TO-92	
IC1	TL071	Single op-amp, DIP8	
IC2	TL071	Single op-amp, DIP8	
VOL	A10K	16mm right-angle PCB mount pot	
SUSTAIN	C50K	16mm right-angle PCB mount pot	
HICUT	B25K	16mm right-angle PCB mount pot	
LOCUT	B10K DUAL	16mm right-angle PCB mount pot	* Dual-gang potentiometer

# SemiSweet Distortion 3

Schematic Diagram





# SemiSweet Distortion 3

Drill Template  
125B Enclosure

