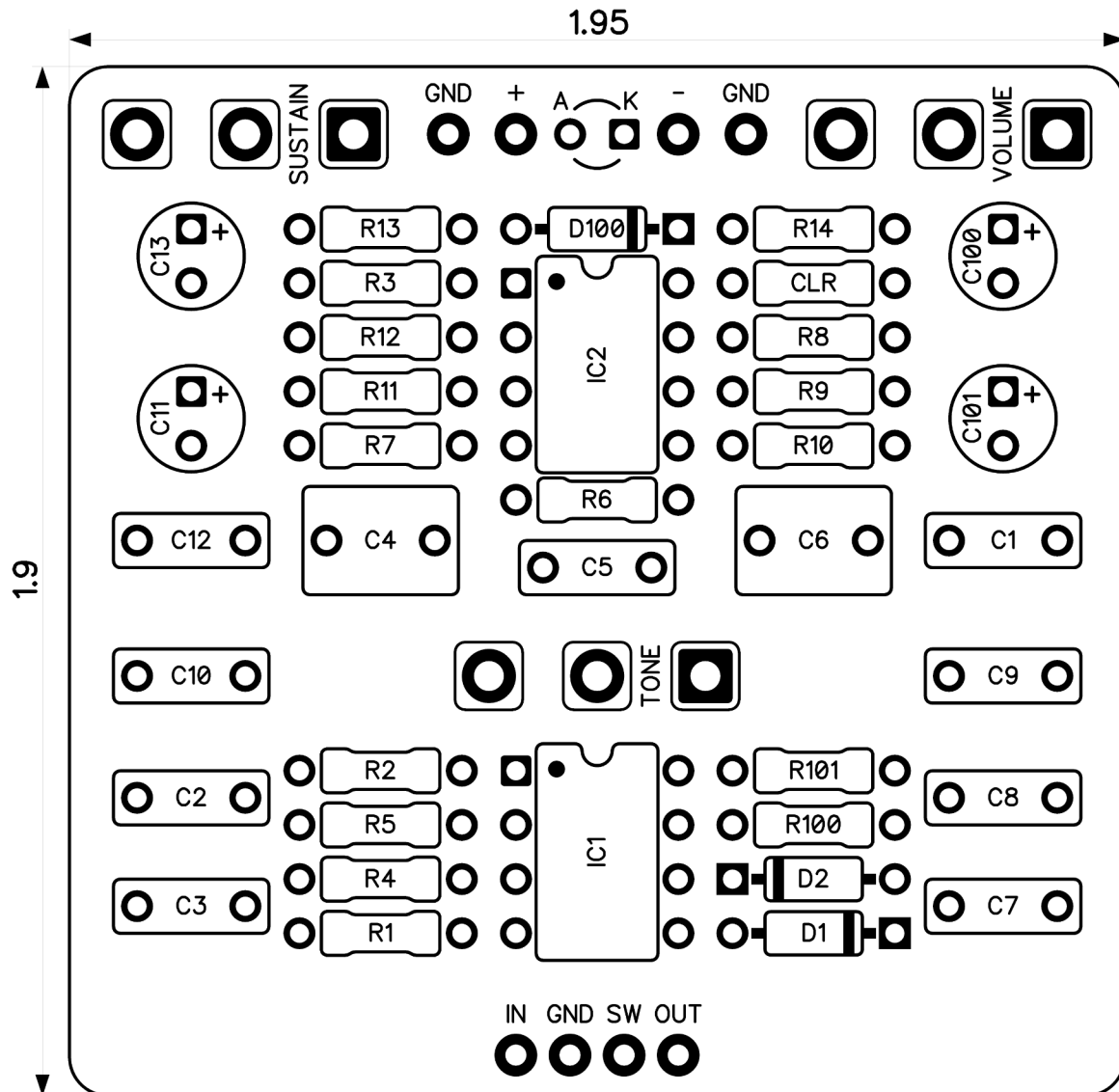


PedalPCB

Semi-Sweet Distortion

Revised 5/14/24



CONTROLS AND FEATURES

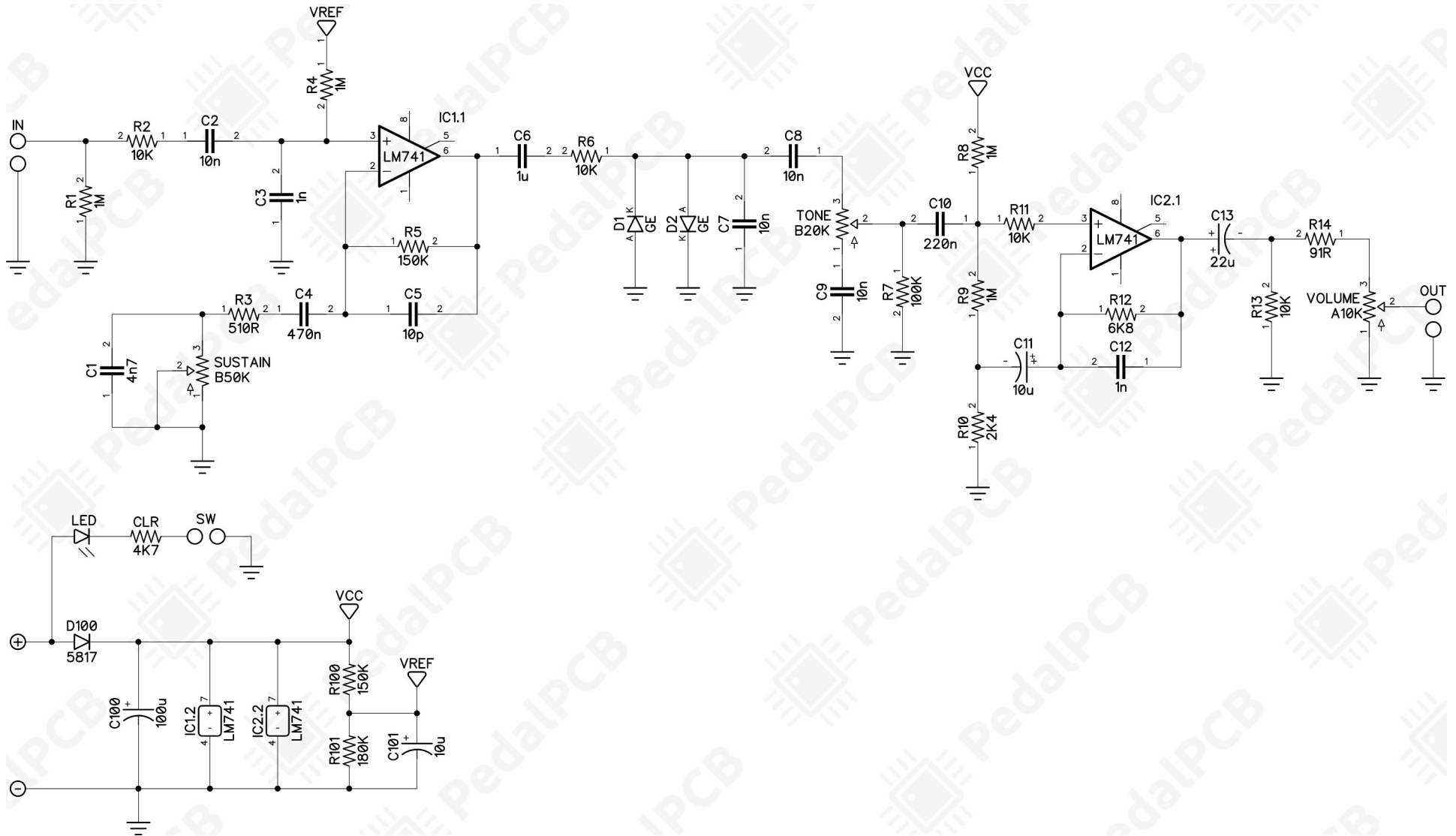
- Volume
- Tone
- Sustain

All trademarks and registered trademarks are the property of their respective owners. The company, product, and service names used in this web site are for identification purposes only. Use of these names, logos, and brands does not imply endorsement.

LOCATION	VALUE	TYPE	NOTES
R1	1M	Resistor, 1/4W	
R2	10K	Resistor, 1/4W	
R3	510R	Resistor, 1/4W	
R4	1M	Resistor, 1/4W	
R5	150K	Resistor, 1/4W	
R6	10K	Resistor, 1/4W	
R7	100K	Resistor, 1/4W	
R8	1M	Resistor, 1/4W	
R9	1M	Resistor, 1/4W	
R10	2K4	Resistor, 1/4W	
R11	10K	Resistor, 1/4W	
R12	6K8	Resistor, 1/4W	
R13	10K	Resistor, 1/4W	
R14	91R	Resistor, 1/4W	
R100	150K	Resistor, 1/4W	
R101	180K	Resistor, 1/4W	
CLR	4K7	Resistor, 1/4W	* LED current limiting resistor
C1	4n7	Film capacitor, 7.2 x 2.5mm	
C2	10n	Film capacitor, 7.2 x 2.5mm	
C3	1n	Film capacitor, 7.2 x 2.5mm	
C4	470n	Film capacitor, 7.2 x 5.0mm	
C5	10p	Ceramic capacitor	
C6	1u	Film capacitor, 7.2 x 5.0mm	
C7	10n	Film capacitor, 7.2 x 2.5mm	
C8	10n	Film capacitor, 7.2 x 2.5mm	
C9	10n	Film capacitor, 7.2 x 2.5mm	
C10	220n	Film capacitor, 7.2 x 5.0mm	
C11	10u	Electrolytic capacitor, 5mm	
C12	1n	Film capacitor, 7.2 x 2.5mm	
C13	22u	Electrolytic capacitor, 5mm	
C100	100u	Electrolytic capacitor, 5mm	
C101	10u	Electrolytic capacitor, 5mm	
D1	GE	Germanium diode	(1N34A, 1N270, D9E, D9B, etc)
D2	GE	Germanium diode	(1N34A, 1N270, D9E, D9B, etc)
D100	1N5817	Schottky diode, DO-41	
IC1	LM741	Single op-amp, DIP8	
IC2	LM741	Single op-amp, DIP8	
VOLUME	A10K	16mm right-angle PCB mount pot	
TONE	B20K	16mm right-angle PCB mount pot	
SUSTAIN	B50K	16mm right-angle PCB mount pot	

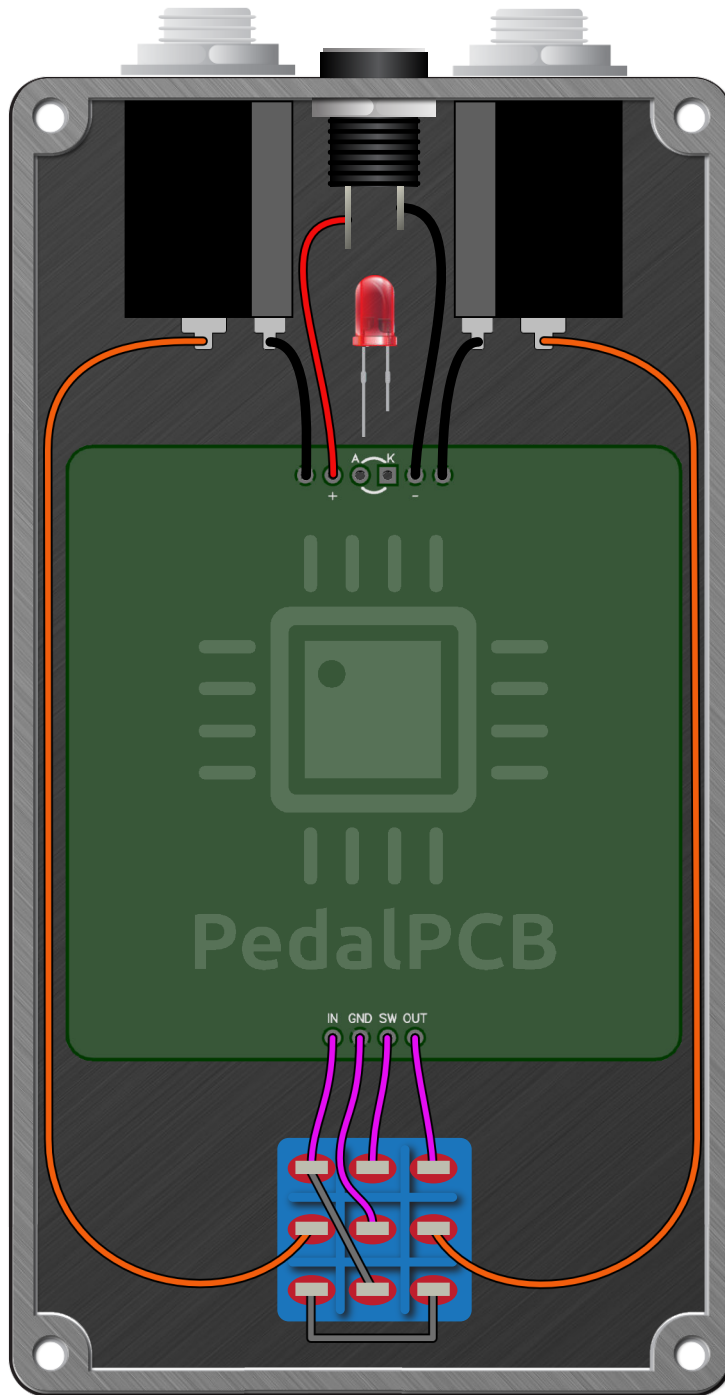
Semi-Sweet Distortion

Schematic Diagram



Semi-Sweet Distortion

Wiring Diagram



Semi-Sweet Distortion

Drill Template
125B Enclosure

