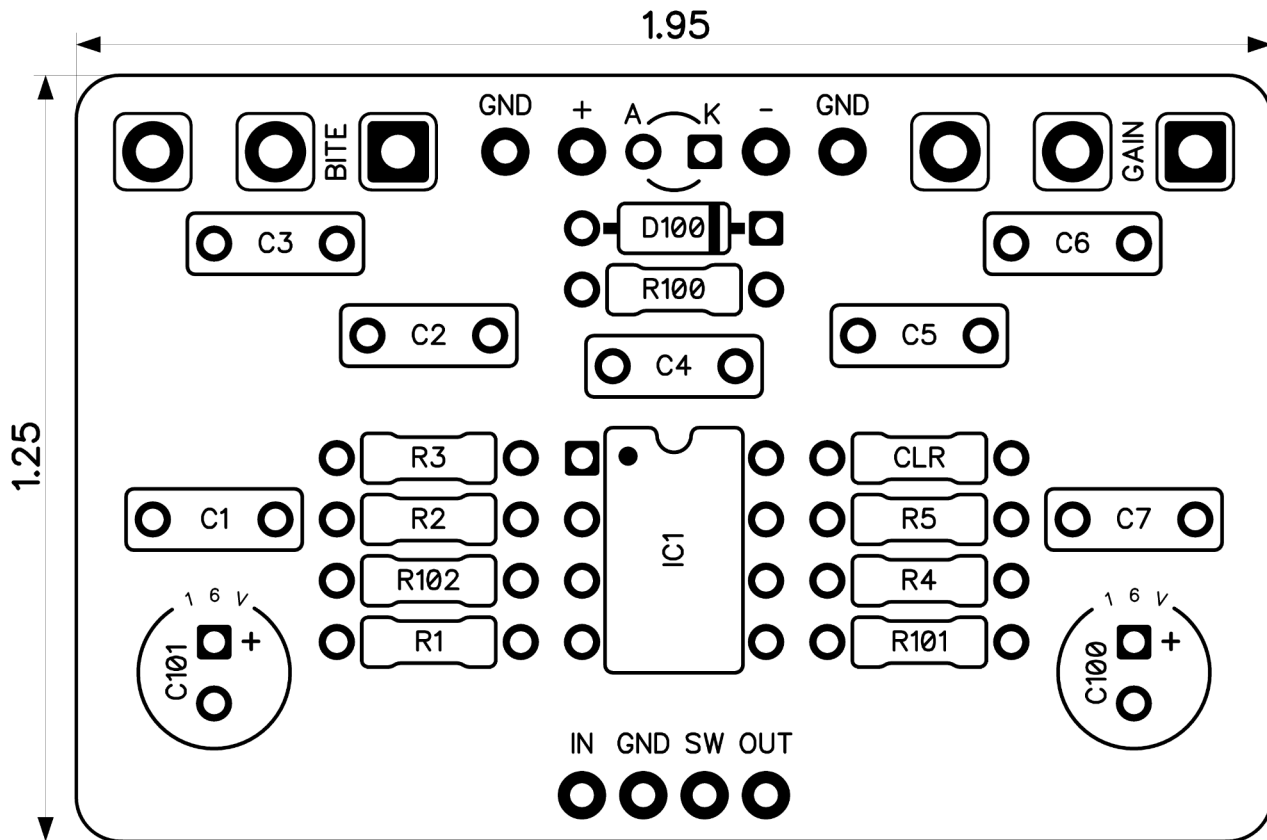




Seafarer Fuzz

Revised 8/12/23



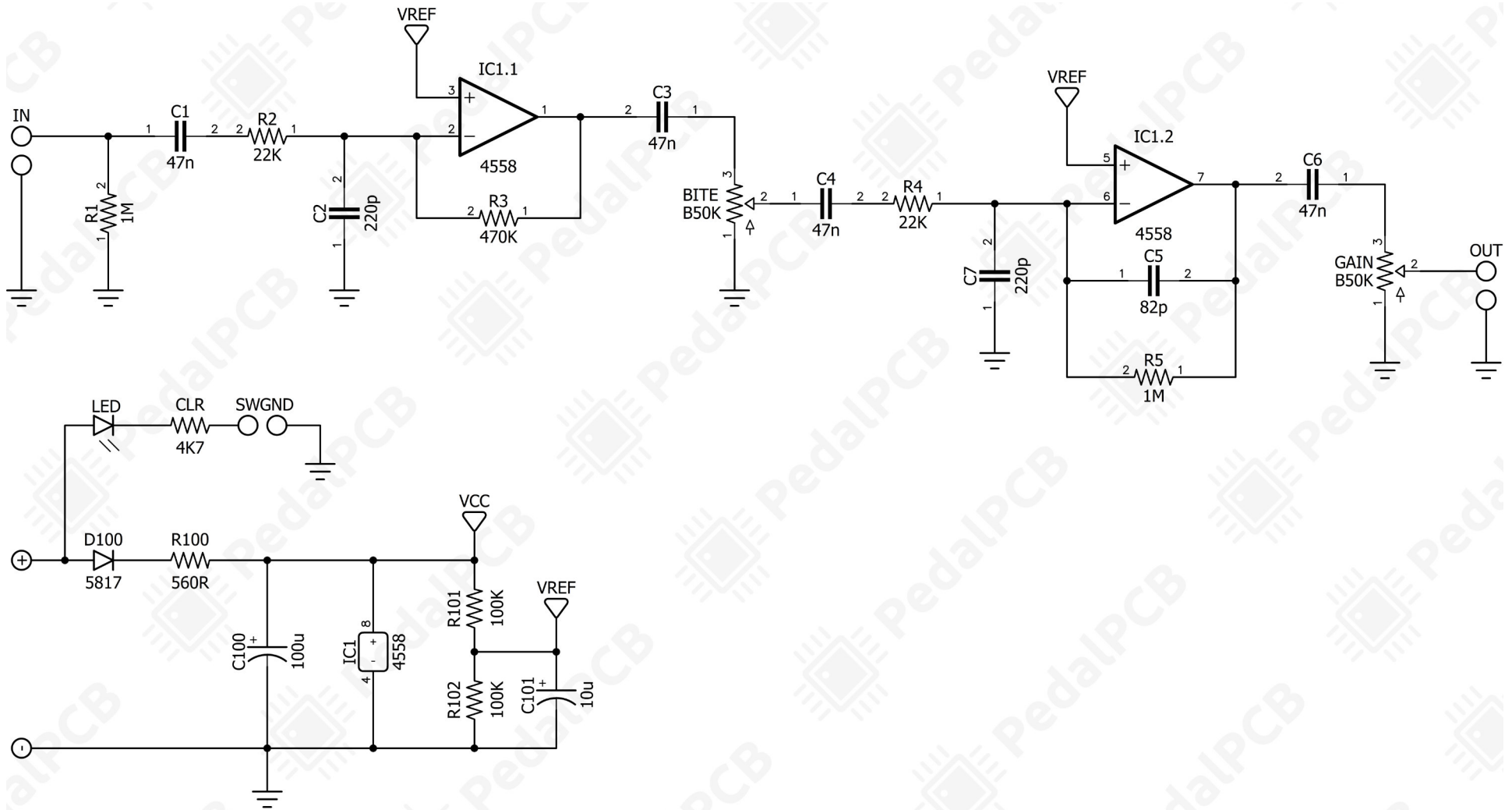
CONTROLS AND FEATURES

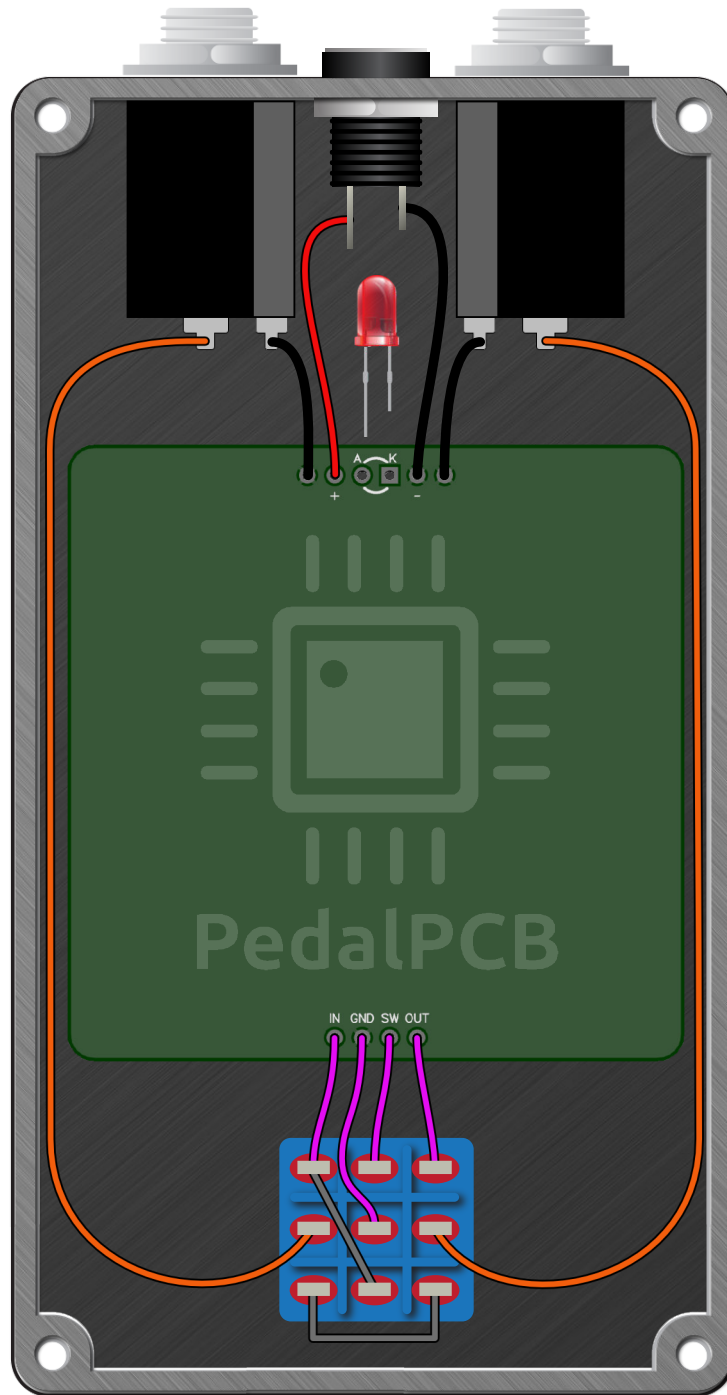
- Gain
- Bite

All trademarks and registered trademarks are the property of their respective owners. The company, product, and service names used in this web site are for identification purposes only. Use of these names, logos, and brands does not imply endorsement.

Seafarer Fuzz

Schematic Diagram





Seafarer Fuzz

Drill Template
125B Enclosure

