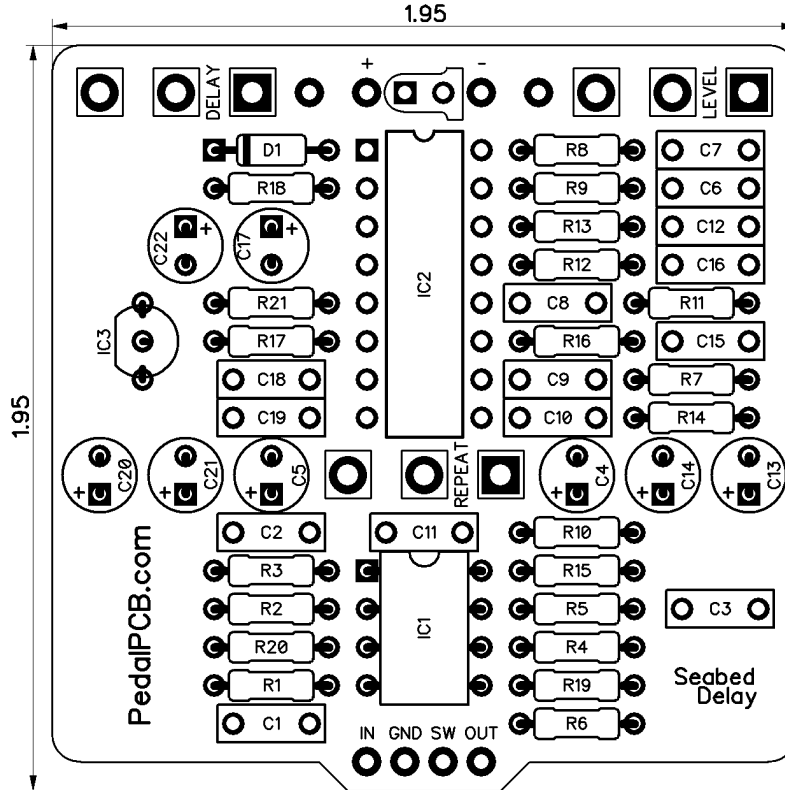




PedalPCB.com

Seabed Delay

Revision 01.09.18



Resistors

R1	1M	R20	10K
R2	180K	R21	4K7
R3	360K		
R4	22K		
R5	12K		
R6	1K		
R7	10K		
R8	10K		
R9	10K		
R10	5K1		
R11	20K		
R12	10K		
R13	1K		
R14	2K		
R15	20K		
R16	10K		
R17	2K2		
R18	33		
R19	10K		

Capacitors

C1	22nF	C20	100uF
C2	47pF	C21	47uF
C3	100pF	C22	47uF
C4	1uF		
C5	1uF		
C6	4.7nF		
C7	2.2nF		
C8	2.2nF		
C9	100nF		
C10	100nF		
C11	22nF		
C12	10nF		
C13	1uF		
C14	1uF		
C15	47nF		
C16	15nF		
C17	47uF		
C18	100nF		
C19	100nF		

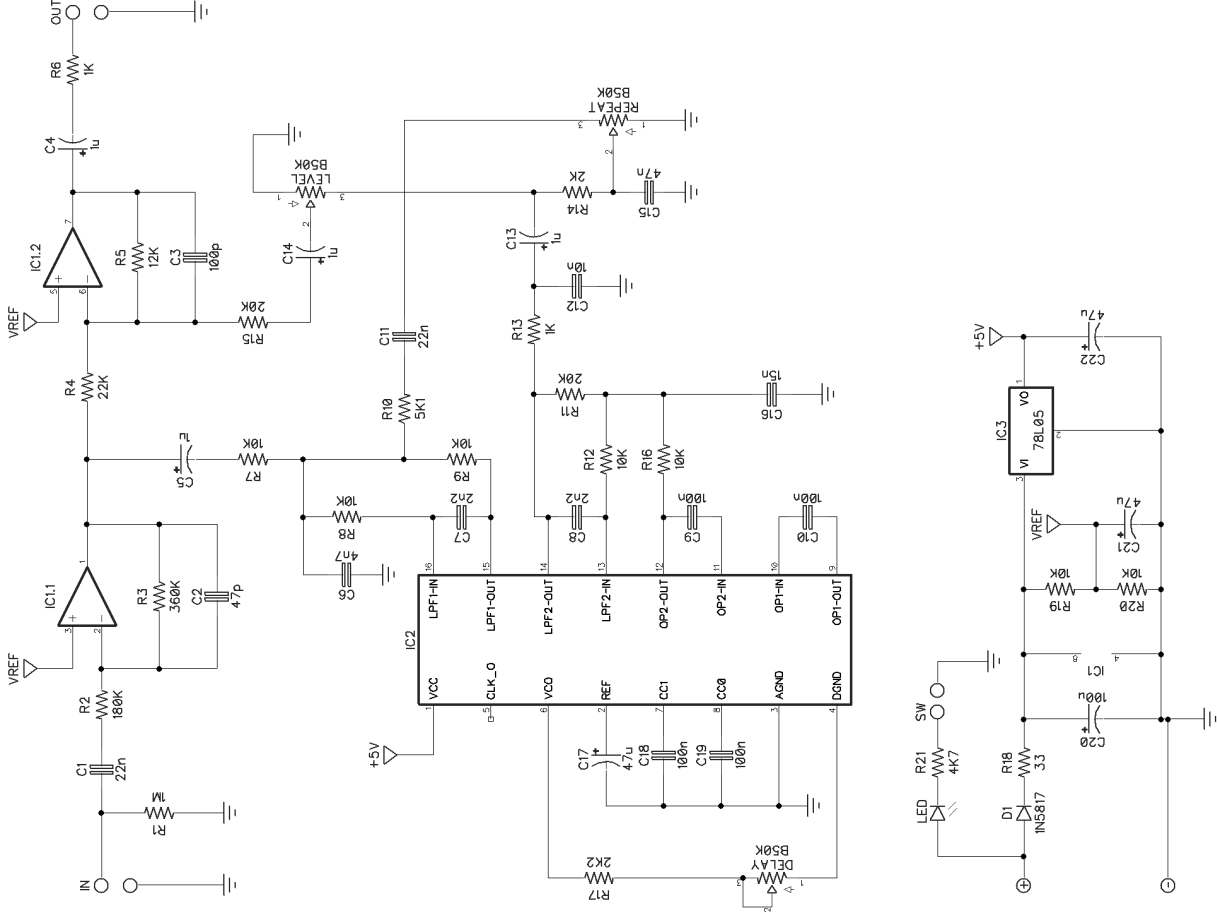
Semiconductors

IC1	TL072
IC2	PT2399
IC3	78L05
D1	1N5817
LED	3mm Red

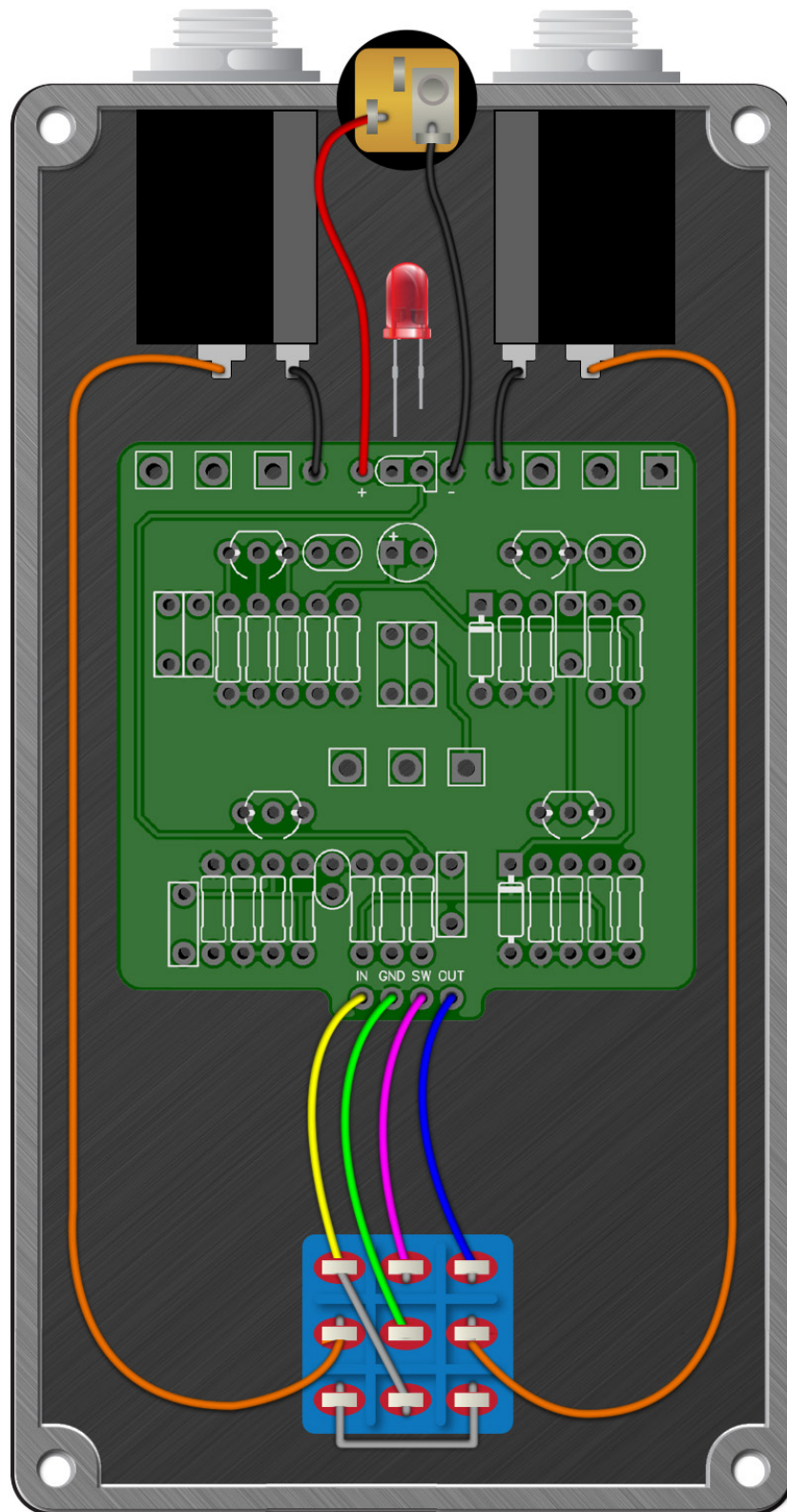
Potentiometers

DELAY	B50K
REPEAT	B50K
LEVEL	B50K

Seabed Delay



Wiring Diagram



Drill Template

4S125B enclosure with top mounted jacks

