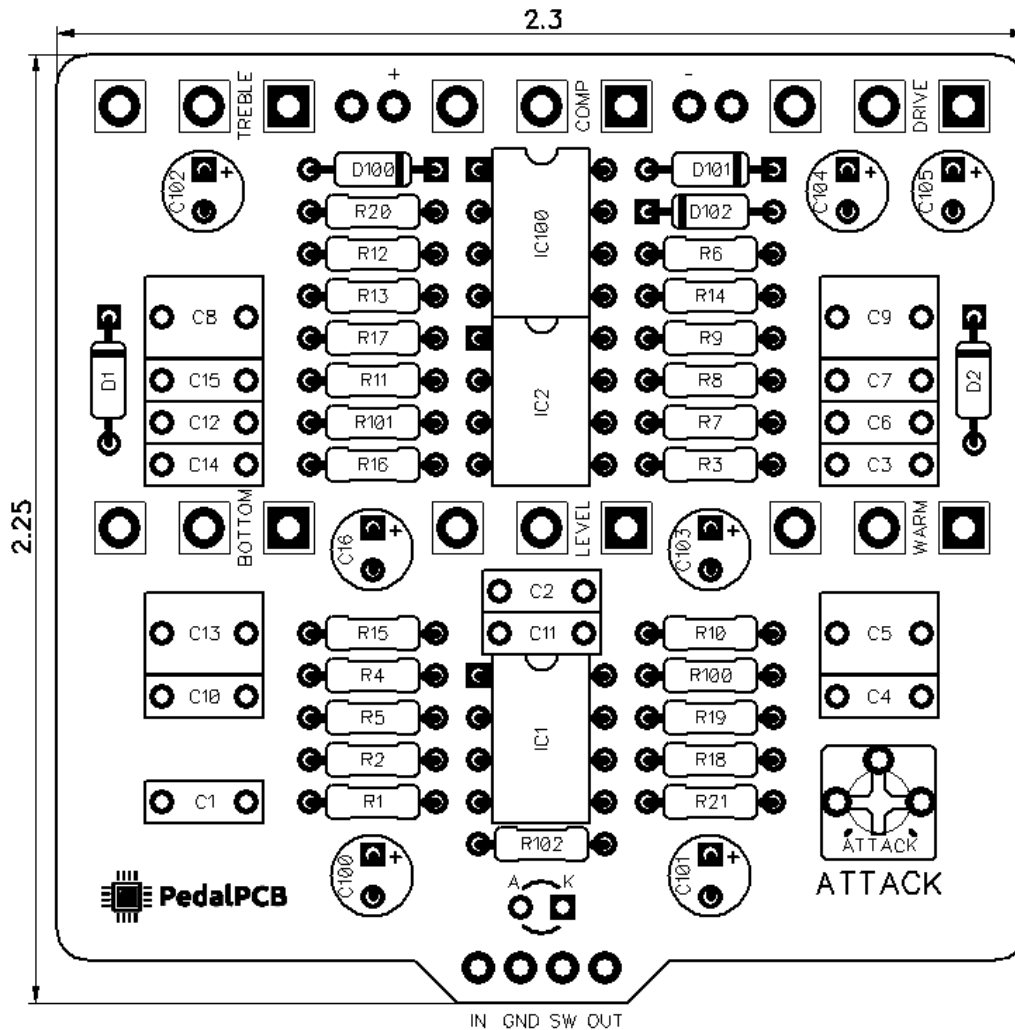




# PedalPCB

## Sea Monk Overdrive

Revision 05.04.20



### Controls

- Drive
- Comp
- Treble
- Warm
- Level
- Bottom
- Attack (Internal Trim Pot)

All trademarks and registered trademarks are the property of their respective owners. The company, product, and service names used in this web site are for identification purposes only. Use of these names, logos, and brands does not imply endorsement.

**RESISTORS (1/4W)**

R1 1K  
R2 1M  
R3 10K  
R4 5K1  
R5 1K5  
R6 2K2  
R7 15K  
R8 422K  
R9 1K5  
R10 22K  
R11 27K  
R12 12K  
R13 2K2  
R14 1K  
R15 47K  
R16 390K  
R17 1K5  
R18 100K  
R19 100K  
R20 4K7  
R21 470R  
R100 47K  
R101 47K  
R102 4K7

**CAPACITORS**

C1 100n  
C2 100n  
C3 68n  
C4 68n  
C5 390n  
C6 82n  
C7 390p  
C8 1u FILM  
C9 1u FILM  
C10 2n2  
C11 2n2  
C12 27n  
C13 1u FILM  
C14 820p  
C15 3n9  
C16 4u7  
C100 22u  
C101 22u  
C102 22u  
C103 22u  
C104 22u  
C105 22u

**INTEGRATED CIRCUITS**

IC1 TL072  
IC2 TL072  
IC100 TC1044SCPA

**DIODES**

D1 1N34A  
D2 1N34A  
D100 1N5817  
D101 1N5817  
D102 1N5817

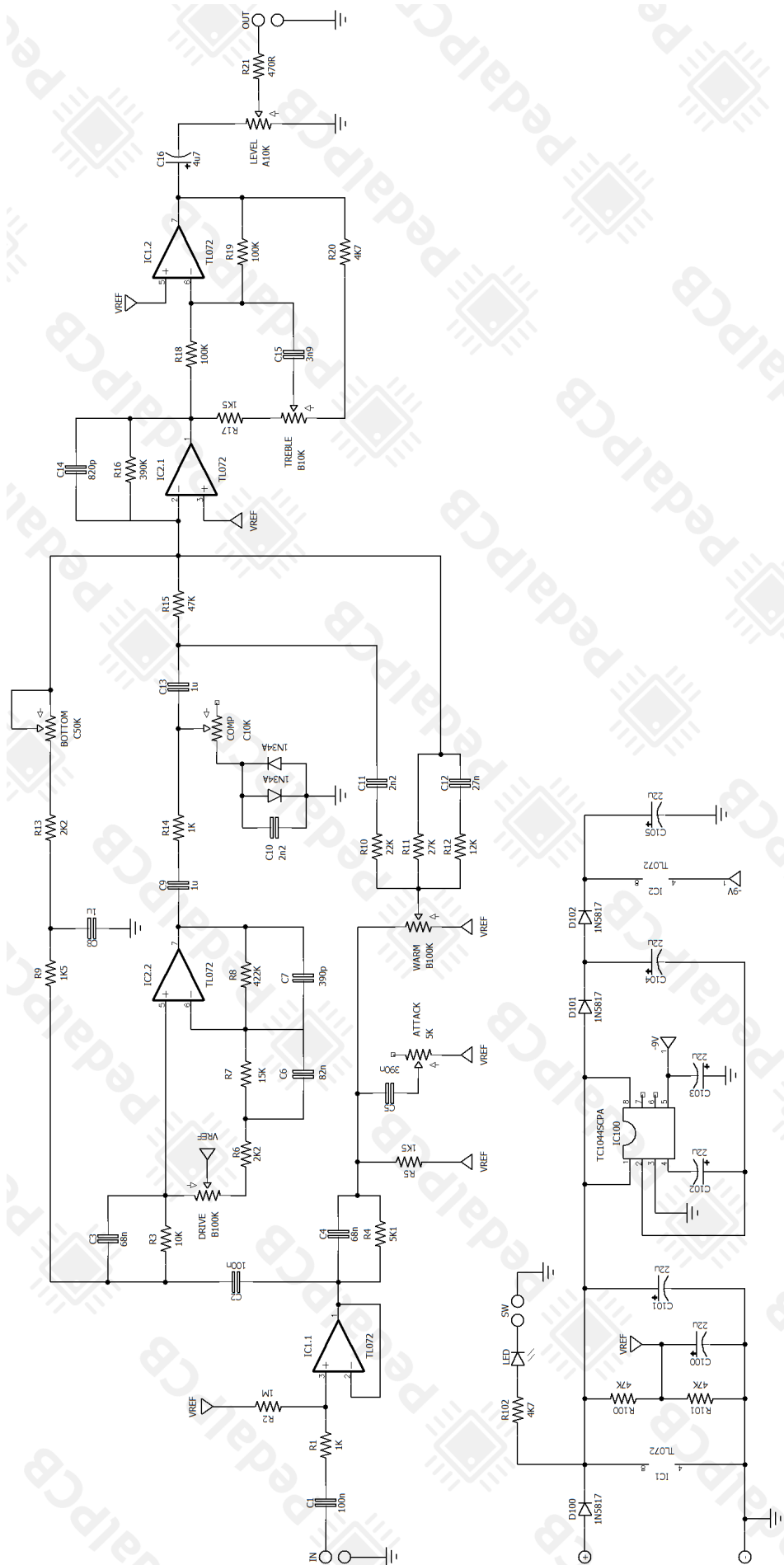
**POTENTIOMETERS**

DRIVE B100K  
COMP C10K  
TREBLE B10K  
WARM B100K  
LEVEL A10K  
BOTTOM C50K

**TRIM POTS (3362P Type)**

ATTACK 5K

# Sea Monk Overdrive



# Sea Monk Overdrive

Wiring Diagram



# Sea Monk Overdrive

Drill Template  
125B Enclosure

