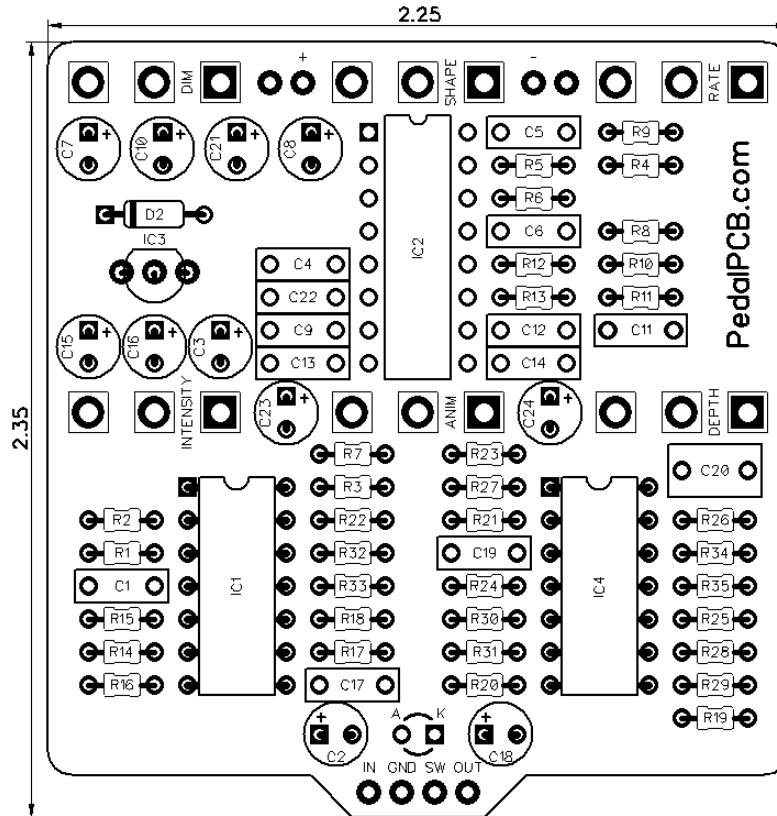


PedalPCB.com

Sea Horse

Revision 05.21.20



Resistors (1/8W)

R1	1M	R20	470
R2	1M	R21	100K
R3	10K	R22	100K
R4	33K	R23	100K
R5	10K	R24	47K
R6	1K	R25	10K
R7	2K2	R26	10K
R8	33K	R27	10K
R9	8K2	R28	10K
R10	33K	R29	10K
R11	22K	R30	33K
R12	33K	R31	1K
R13	1K	R32	10K
R14	10K	R33	10K
R15	10K	R34	100K
R16	10K	R35	100K
R17	10K		
R18	10K		
R19	100K		

Capacitors

C1	100n
C2	1u
C3	10u
C4	100n
C5	470p
C6	470p
C7	1u
C8	10u
C9	100n
C10	10u
C11	3n3
C12	100n
C13	100n
C14	100n
C15	1u
C16	1u
C17	100p
C18	1u
C19	10n

C20	470n
C21	100u
C22	100n
C23	10u
C24	10u

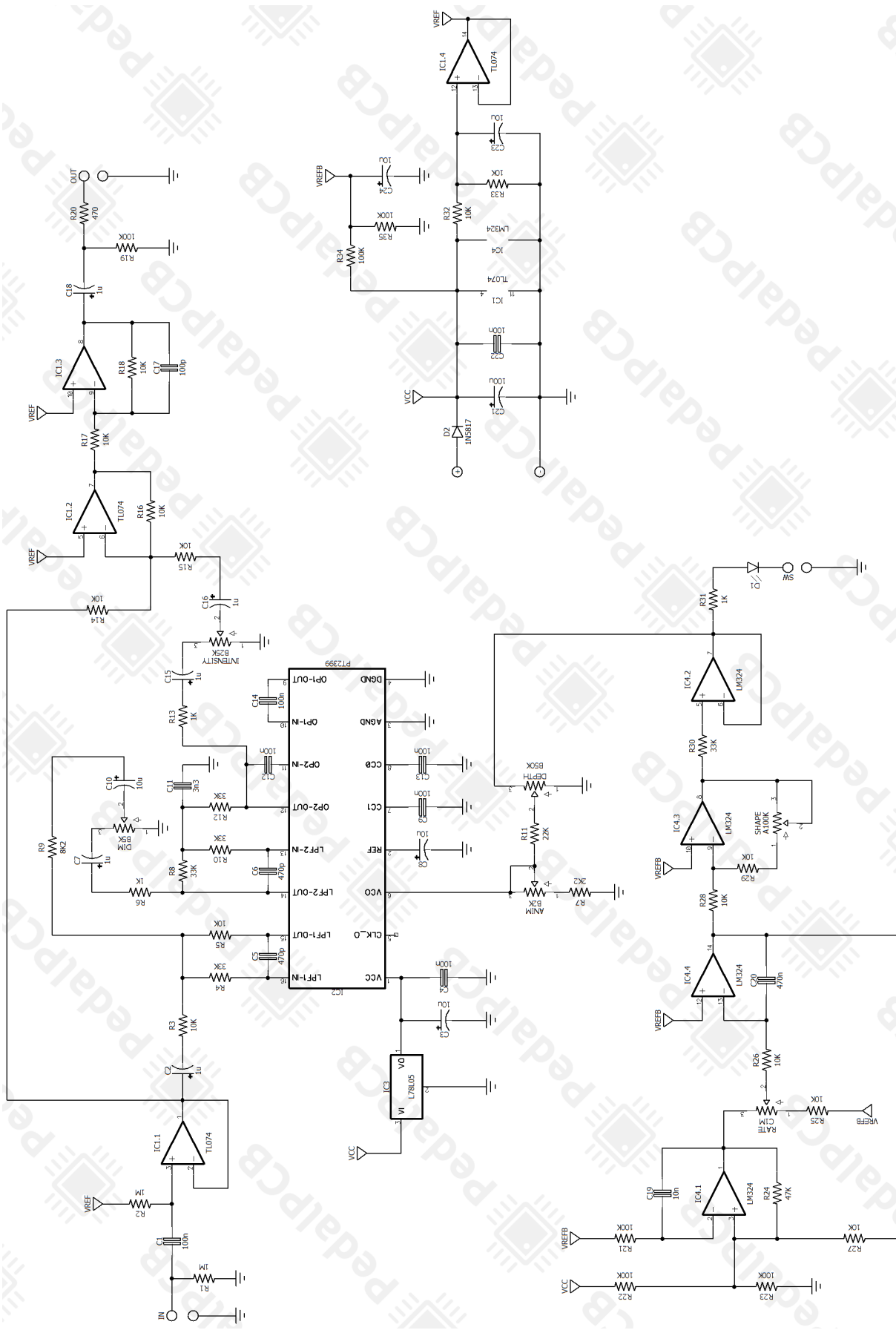
Semiconductors

IC1	TL074
IC2	PT2399
IC3	L78L05
IC4	LM324
D1	3mm Red
D2	1N5817

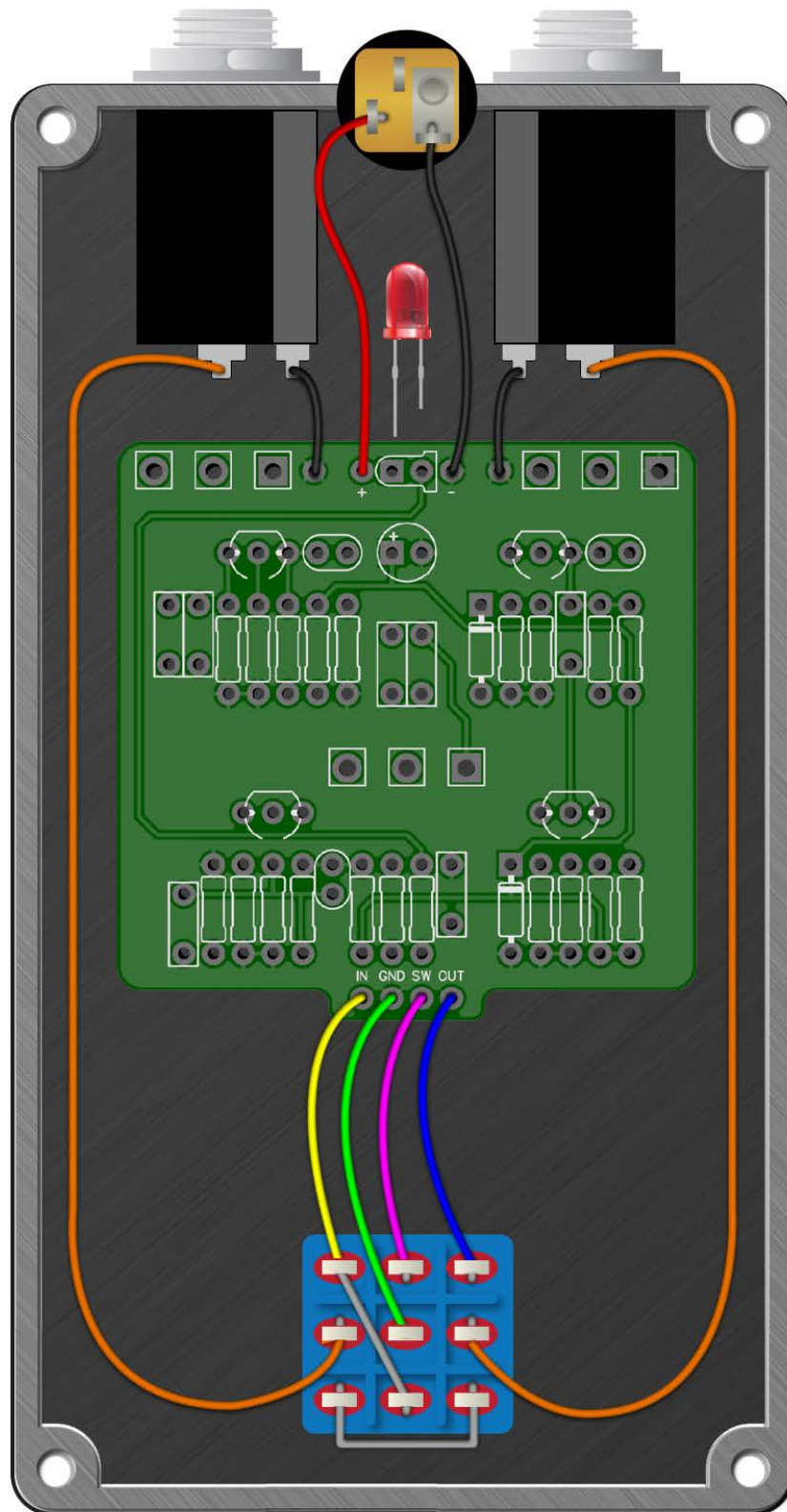
Potentiometers

DEPTH	B50K
RATE	C1M
ANIM	B2K
DIM	B5K
INTENSITY	B25K
SHAPE	A100K

Sea Horse



Wiring Diagram



Drill Template

4S125B enclosure with top mounted jacks

