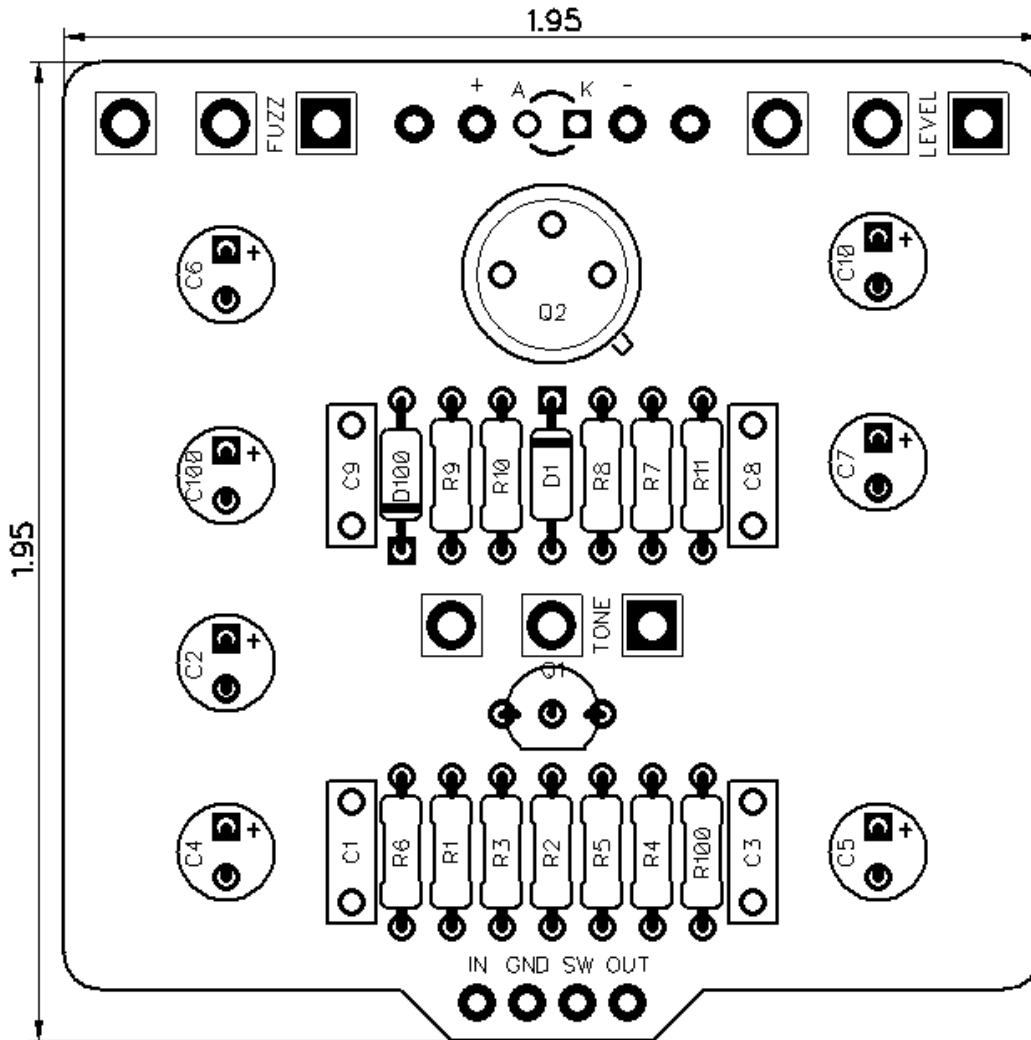




PedalPCB

Scythe Fuzz

Revision 09.01.19



Controls

- Fuzz
- Tone
- Level

All trademarks and registered trademarks are the property of their respective owners. The company, product, and service names used in this web site are for identification purposes only. Use of these names, logos, and brands does not imply endorsement.

RESISTORS (1/4W)

R1 1M
R2 47K
R3 330R
R4 470K
R5 10K
R6 10K
R7 1K
R8 1K
R9 10K
R10 33K
R11 33K
R100 4K7

CAPACITORS

C1 100p
C2 1u
C3 47p
C4 10u
C5 1u
C6 1u
C7 22u
C8 10n
C9 470p
C10 1u
C100 100u

TRANSISTORS

Q1 MPSA18
Q2 AC176

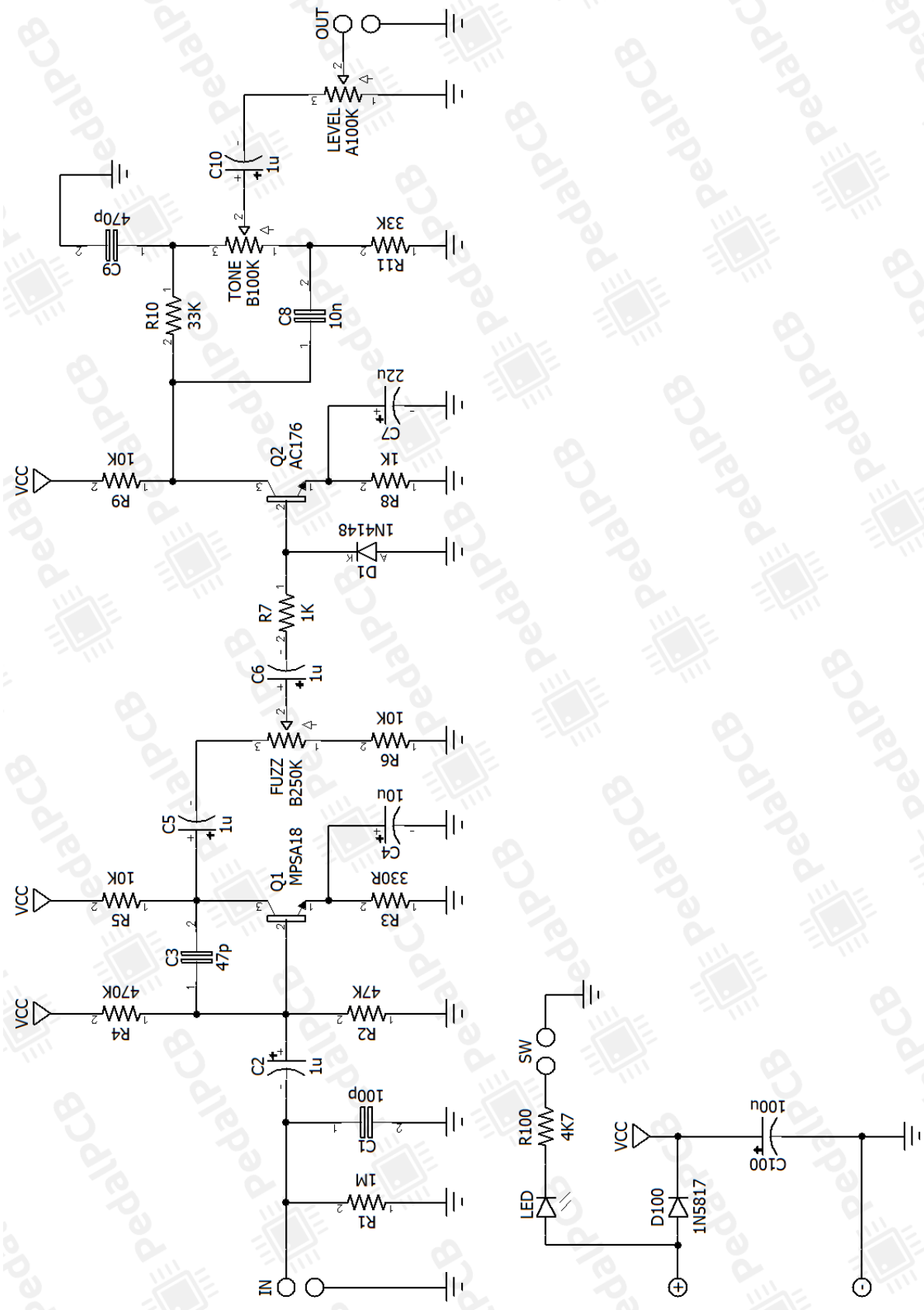
DIODES

D1 1N4148
D100 1N5817

POTENTIOMETERS

FUZZ B250K
LEVEL A100K
TONE B100K

Scythe Fuzz



Scythe Fuzz

Wiring Diagram



Scythe Fuzz

Drill Template
125B enclosure with top mounted jacks

