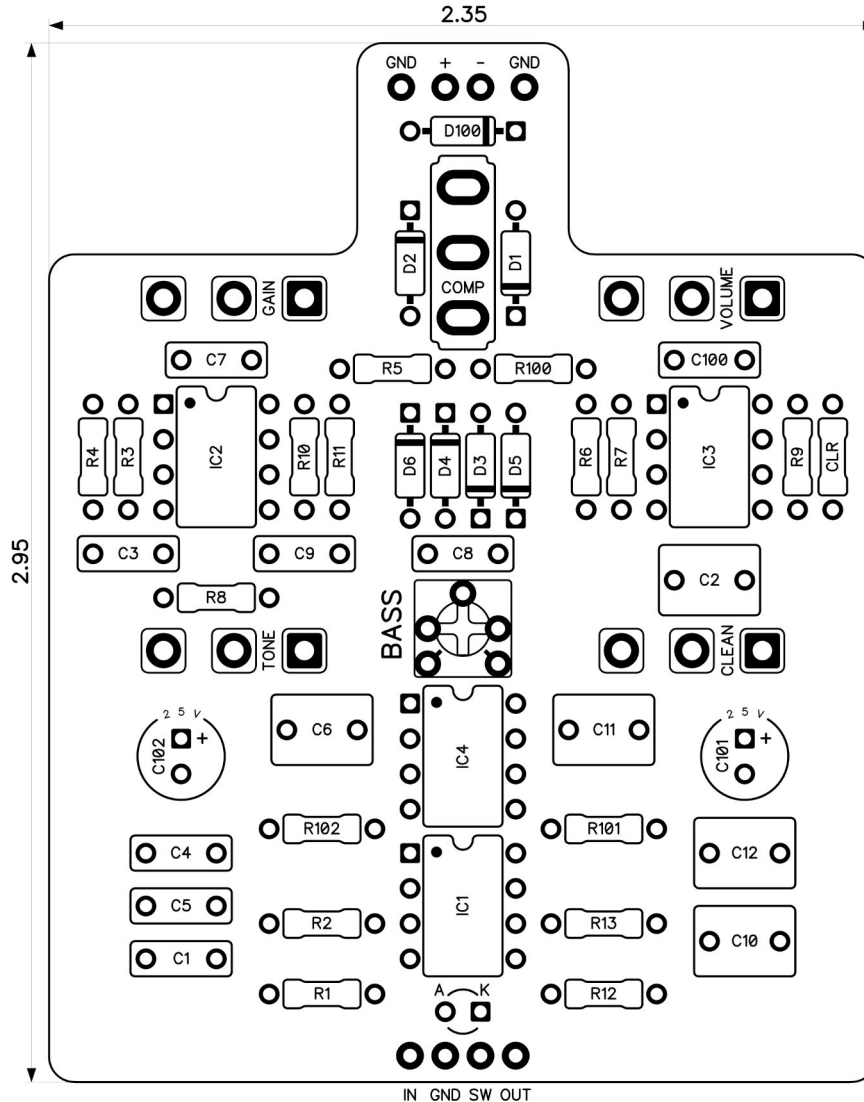


PedalPCB

Scenario Preamp

Revised 1/16/24



CONTROLS AND FEATURES

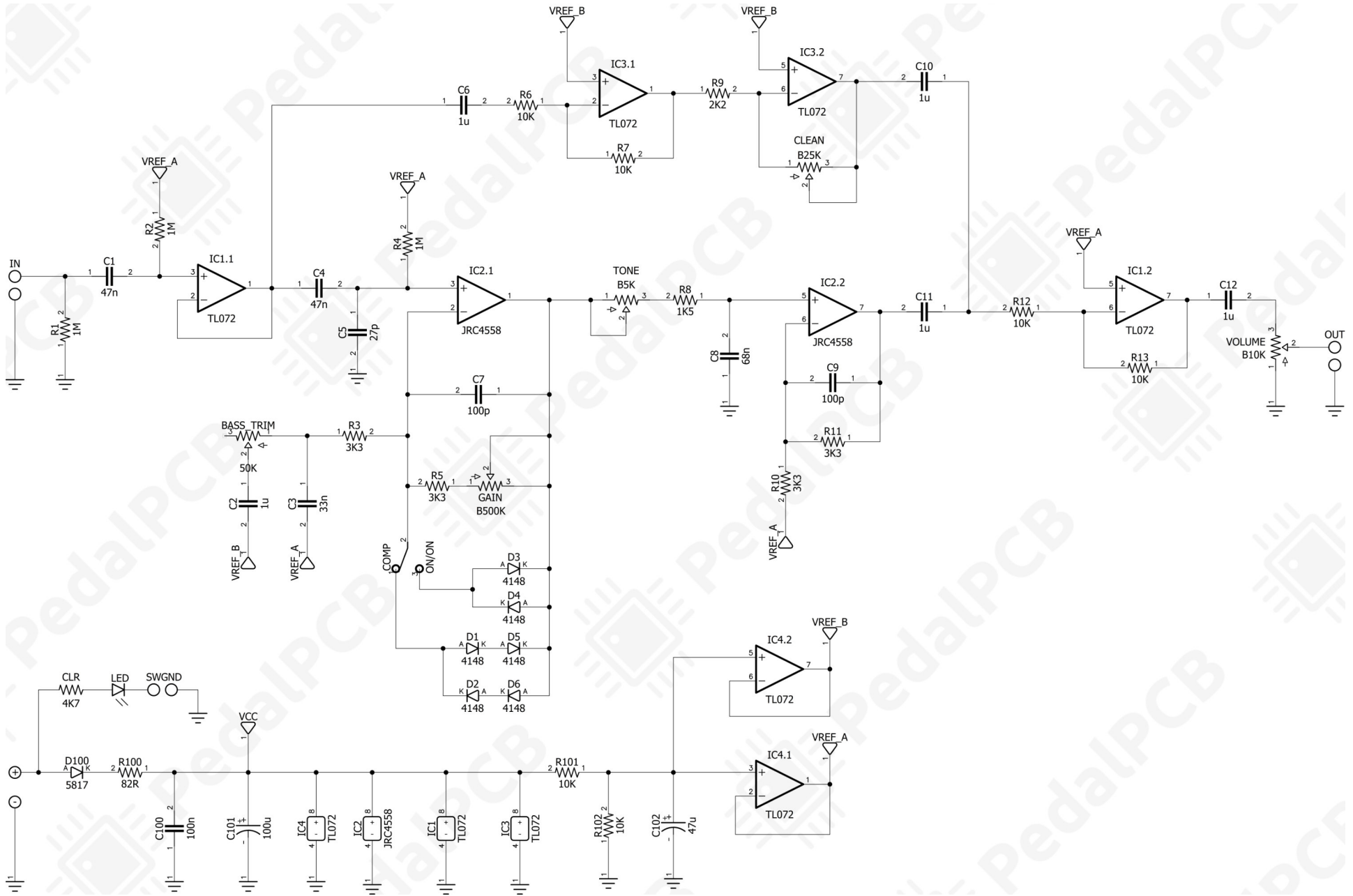
- Volume
- Gain
- Clean
- Tone
- Compression (Toggle switch)
- Bass (internal trimpot)

All trademarks and registered trademarks are the property of their respective owners. The company, product, and service names used in this web site are for identification purposes only. Use of these names, logos, and brands does not imply endorsement.

| LOCATION | VALUE | TYPE | NOTES |
|-----------|---------|-----------------------------------|---------------------------------|
| R1 | 1M | Resistor, 1/4W | |
| R2 | 1M | Resistor, 1/4W | |
| R3 | 3K3 | Resistor, 1/4W | |
| R4 | 1M | Resistor, 1/4W | |
| R5 | 3K3 | Resistor, 1/4W | |
| R6 | 10K | Resistor, 1/4W | |
| R7 | 10K | Resistor, 1/4W | |
| R8 | 1K5 | Resistor, 1/4W | |
| R9 | 2K2 | Resistor, 1/4W | |
| R10 | 3K3 | Resistor, 1/4W | |
| R11 | 3K3 | Resistor, 1/4W | |
| R12 | 10K | Resistor, 1/4W | |
| R13 | 10K | Resistor, 1/4W | |
| R100 | 82R | Resistor, 1/4W | |
| R101 | 10K | Resistor, 1/4W | |
| R102 | 10K | Resistor, 1/4W | |
| CLR | 4K7 | Resistor, 1/4W | * LED current limiting resistor |
| C1 | 47n | Film capacitor, 7.2 x 2.5mm | |
| C2 | 1u | Film capacitor, 7.2 x 5.0mm | |
| C3 | 33n | Film capacitor, 7.2 x 2.5mm | |
| C4 | 47n | Film capacitor, 7.2 x 2.5mm | |
| C5 | 27p | Ceramic capacitor | |
| C6 | 1u | Film capacitor, 7.2 x 5.0mm | |
| C7 | 100p | Ceramic capacitor | |
| C8 | 68n | Film capacitor, 7.2 x 2.5mm | |
| C9 | 100p | Ceramic capacitor | |
| C10 | 1u | Film capacitor, 7.2 x 5.0mm | |
| C11 | 1u | Film capacitor, 7.2 x 5.0mm | |
| C12 | 1u | Film capacitor, 7.2 x 5.0mm | |
| C100 | 100n | Film capacitor, 7.2 x 2.5mm | |
| C101 | 100u | Electrolytic capacitor, 5mm | |
| C102 | 47u | Electrolytic capacitor, 5mm | |
| D1 | 1N4148 | Signal diode, DO-35 | |
| D2 | 1N4148 | Signal diode, DO-35 | |
| D3 | 1N4148 | Signal diode, DO-35 | |
| D4 | 1N4148 | Signal diode, DO-35 | |
| D5 | 1N4148 | Signal diode, DO-35 | |
| D6 | 1N4148 | Signal diode, DO-35 | |
| D100 | 1N5817 | Schottky diode, DO-41 | |
| IC1 | TL072 | Dual op-amp, DIP8 | |
| IC2 | JRC4558 | Dual op-amp, DIP8 | |
| IC3 | TL072 | Dual op-amp, DIP8 | |
| IC4 | TL072 | Dual op-amp, DIP8 | |
| BASS_TRIM | 50K | Trimmer potentiometer, 3362P type | |
| VOLUME | B10K | 16mm right-angle PCB mount pot | |
| GAIN | B500K | 16mm right-angle PCB mount pot | |
| TONE | B5K | 16mm right-angle PCB mount pot | |
| CLEAN | B25K | 16mm right-angle PCB mount pot | |
| COMP | ON/ON | Toggle switch, SPDT | 2-position (ON/ON) |

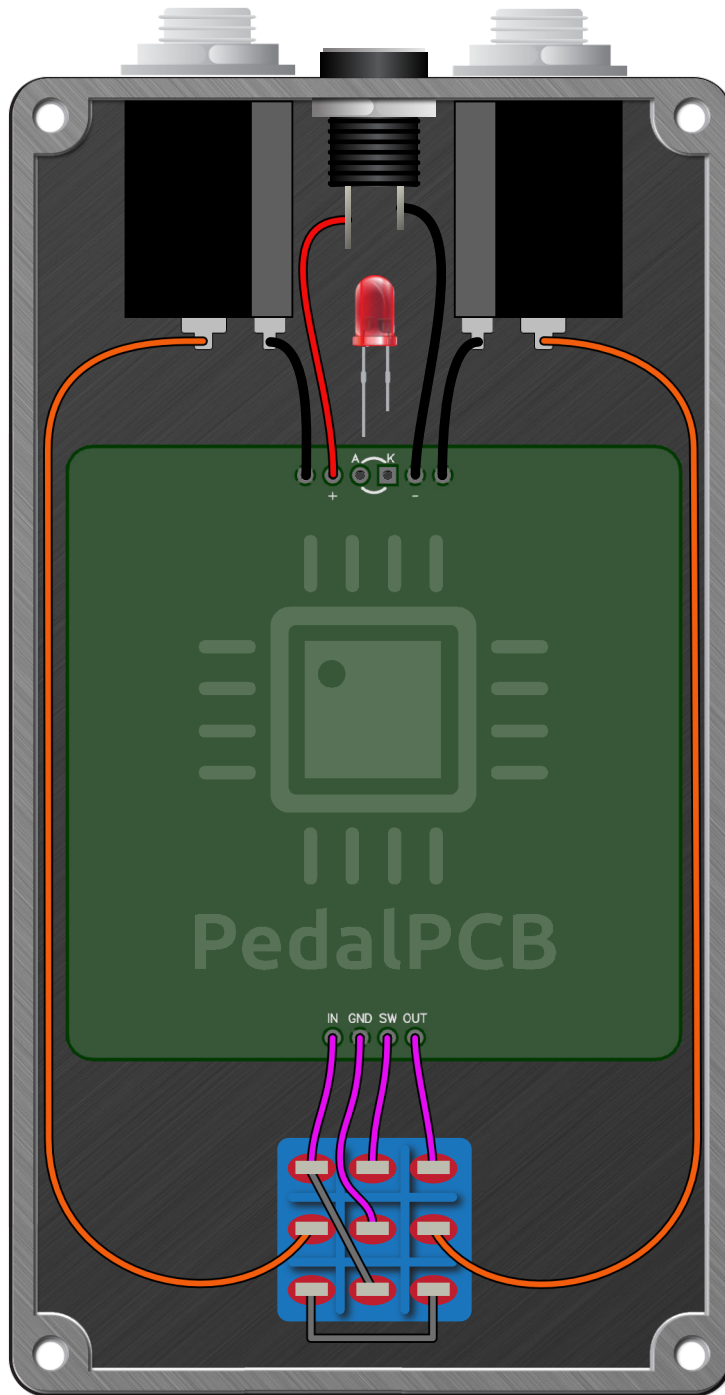
Scenario Preamp

Schematic Diagram



Scenario Preamp

Wiring Diagram



Scenario Preamp

Drill Template
125B Enclosure

