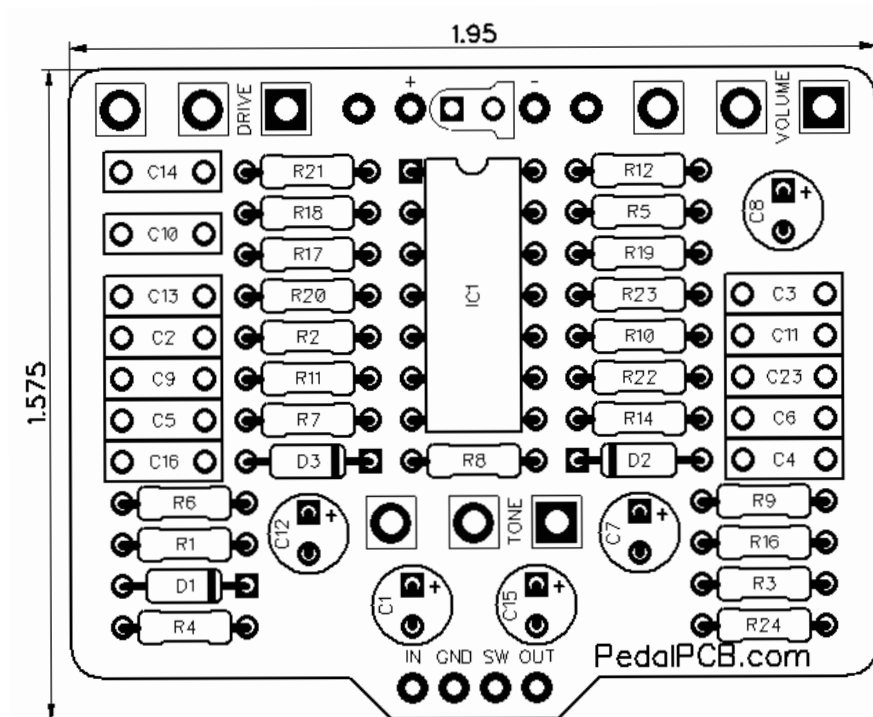




# PedalPCB

## Samurai

Revision 06.22.18



### Controls

- **Volume** - Controls the overall output volume
- **Tone** - Adjusts the tone from warm to bright
- **Drive** - Controls the amount of gain from overdrive to fuzz

All trademarks and registered trademarks are the property of their respective owners. The company, product, and service names used in this web site are for identification purposes only. Use of these names, logos, and brands does not imply endorsement.

**RESISTORS**

R1 12K  
R2 1K  
R3 510K  
R4 10  
R5 10K  
R6 8K2  
R7 10K  
R8 6K8  
R9 100K  
R10 1M  
R11 2K2  
R12 10  
R14 470  
R16 4K7  
R17 100K  
R18 390  
R19 100K  
R20 100K  
R21 22K  
R22 10K  
R23 47K  
R24 10K

**POTENTIOMETERS**

VOLUME B100K  
TONE B20K  
DRIVE B250K

**CAPACITORS**

C1 10u  
C2 47n  
C3 1n  
C4 12n  
C5 22n  
C6 100n  
C7 1u  
C8 1u  
C9 47n  
C10 270n  
C11 47n  
C12 470n  
C13 100n  
C14 200p  
C15 10u  
C16 1n  
C23 100p

**INTEGRATED CIRCUITS**

IC1 JRC4741D

**DIODES**

D1 1N5817  
D2 1N4148  
D3 1N4148

