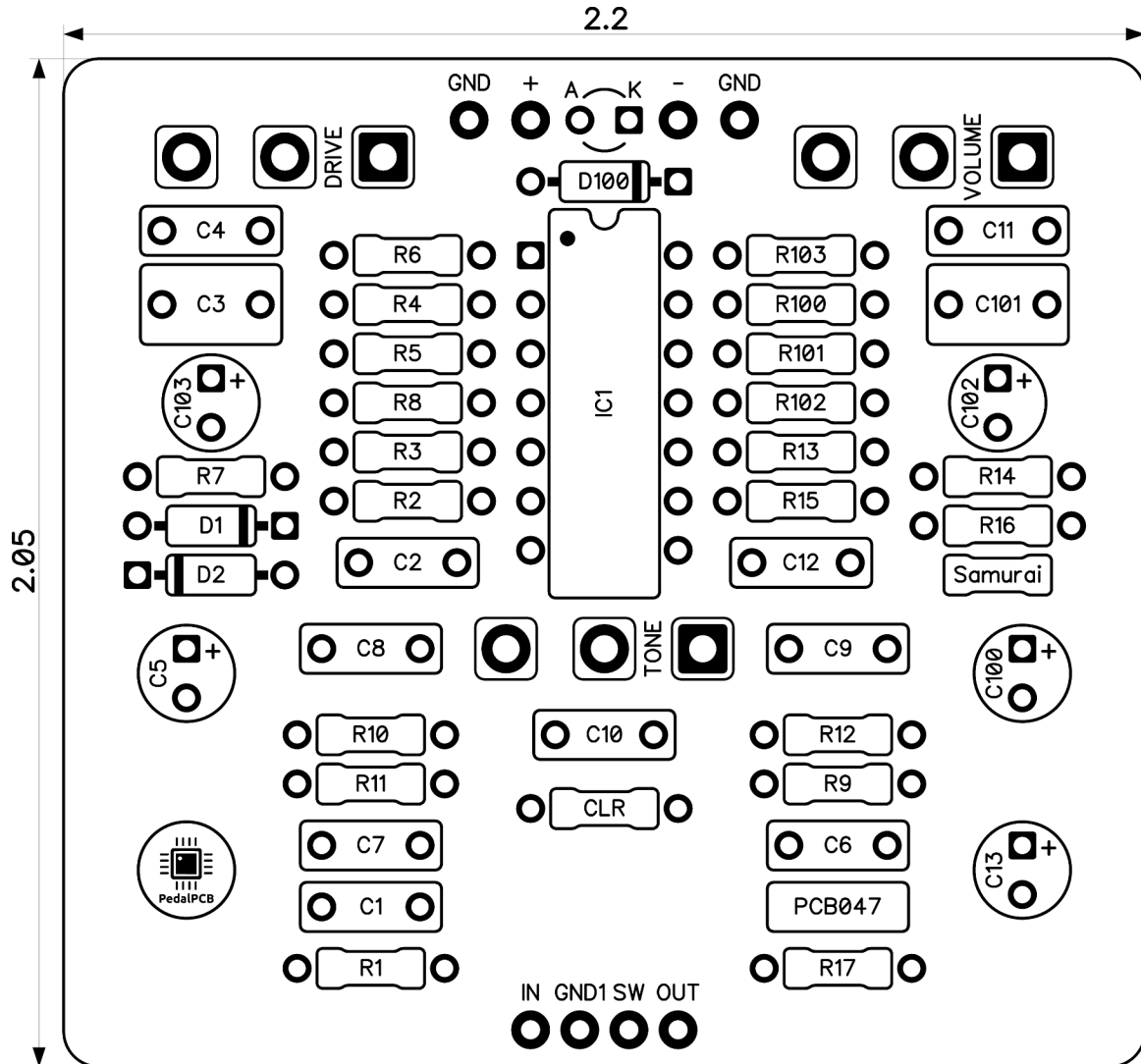


# PedalPCB

## Samurai Overdrive

Revised 4/15/24



### CONTROLS AND FEATURES

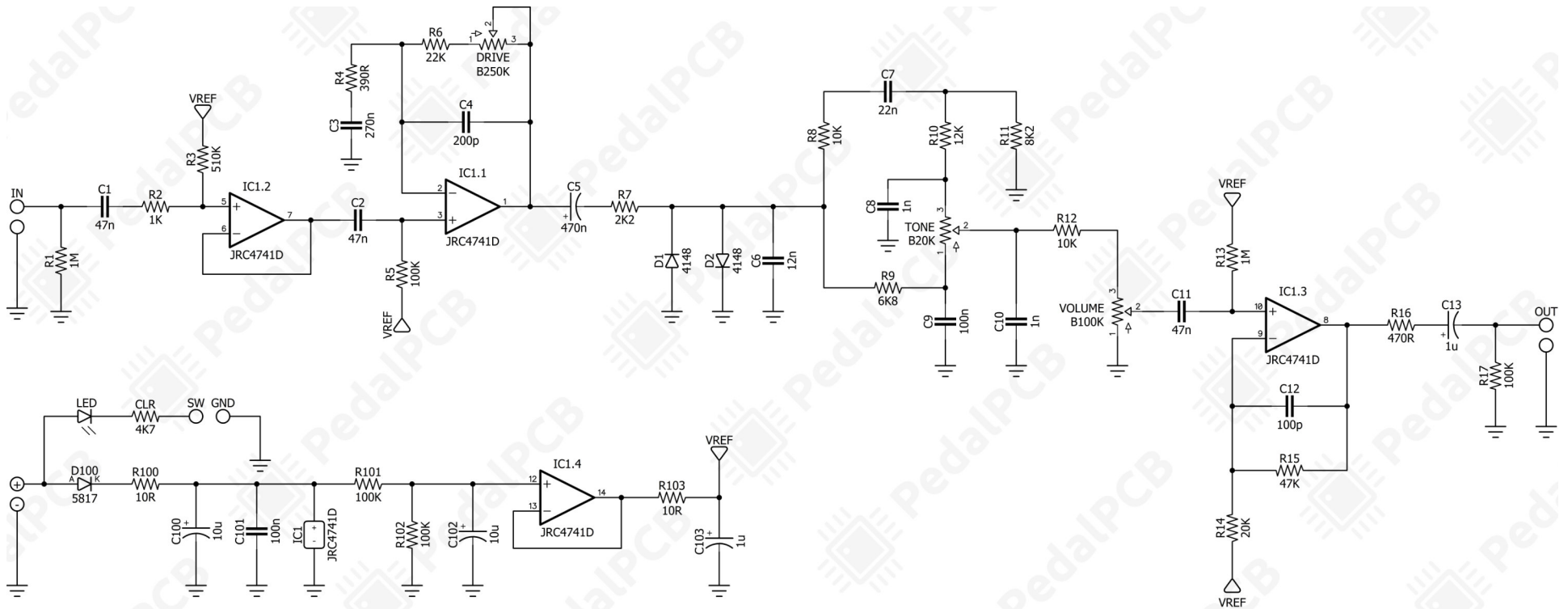
- Volume
- Tone
- Drive

All trademarks and registered trademarks are the property of their respective owners. The company, product, and service names used in this web site are for identification purposes only. Use of these names, logos, and brands does not imply endorsement.

LOCATION	VALUE	TYPE	NOTES
R1	1M	Resistor, 1/4W	
R2	1K	Resistor, 1/4W	
R3	510K	Resistor, 1/4W	
R4	390R	Resistor, 1/4W	
R5	100K	Resistor, 1/4W	
R6	22K	Resistor, 1/4W	
R7	2K2	Resistor, 1/4W	
R8	10K	Resistor, 1/4W	
R9	6K8	Resistor, 1/4W	
R10	12K	Resistor, 1/4W	
R11	8K2	Resistor, 1/4W	
R12	10K	Resistor, 1/4W	
R13	1M	Resistor, 1/4W	
R14	20K	Resistor, 1/4W	
R15	47K	Resistor, 1/4W	
R16	470R	Resistor, 1/4W	
R17	100K	Resistor, 1/4W	
R100	10R	Resistor, 1/4W	
R101	100K	Resistor, 1/4W	
R102	100K	Resistor, 1/4W	
R103	10R	Resistor, 1/4W	
CLR	4K7	Resistor, 1/4W	* LED current limiting resistor
C1	47n	Film capacitor, 7.2 x 2.5mm	
C2	47n	Film capacitor, 7.2 x 2.5mm	
C3	270n	Film capacitor, 7.2 x 5.0mm	
C4	200p	Ceramic capacitor	
C5	470n	Film capacitor, 7.2 x 5.0mm	
C6	12n	Film capacitor, 7.2 x 2.5mm	
C7	22n	Film capacitor, 7.2 x 2.5mm	
C8	1n	Film capacitor, 7.2 x 2.5mm	
C9	100n	Film capacitor, 7.2 x 2.5mm	
C10	1n	Film capacitor, 7.2 x 2.5mm	
C11	47n	Film capacitor, 7.2 x 2.5mm	
C12	100p	Ceramic capacitor	
C13	1u	Electrolytic capacitor, 5mm	
C100	10u	Electrolytic capacitor, 5mm	
C101	100n	Film capacitor, 7.2 x 2.5mm	
C102	10u	Electrolytic capacitor, 5mm	
C103	1u	Electrolytic capacitor, 5mm	
D1	1N4148	Signal diode, DO-35	
D2	1N4148	Signal diode, DO-35	
D100	1N5817	Schottky diode, DO-41	
IC1	JRC4741D	Dual op-amp, DIP8	
VOLUME	B100K	16mm right-angle PCB mount pot	
TONE	B20K	16mm right-angle PCB mount pot	
DRIVE	B250K	16mm right-angle PCB mount pot	

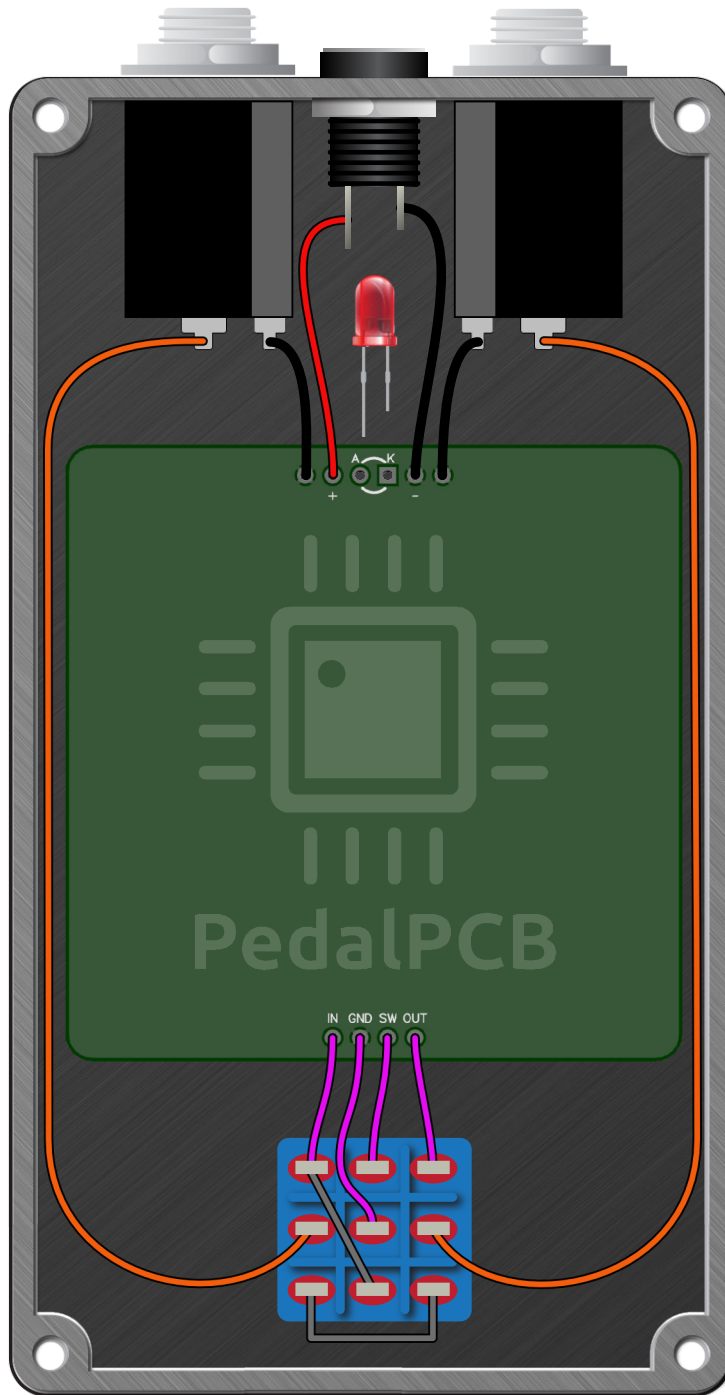
# Samurai Overdrive

Schematic Diagram



# Samurai Overdrive

Wiring Diagram



# Samurai Overdrive

Drill Template  
125B Enclosure

