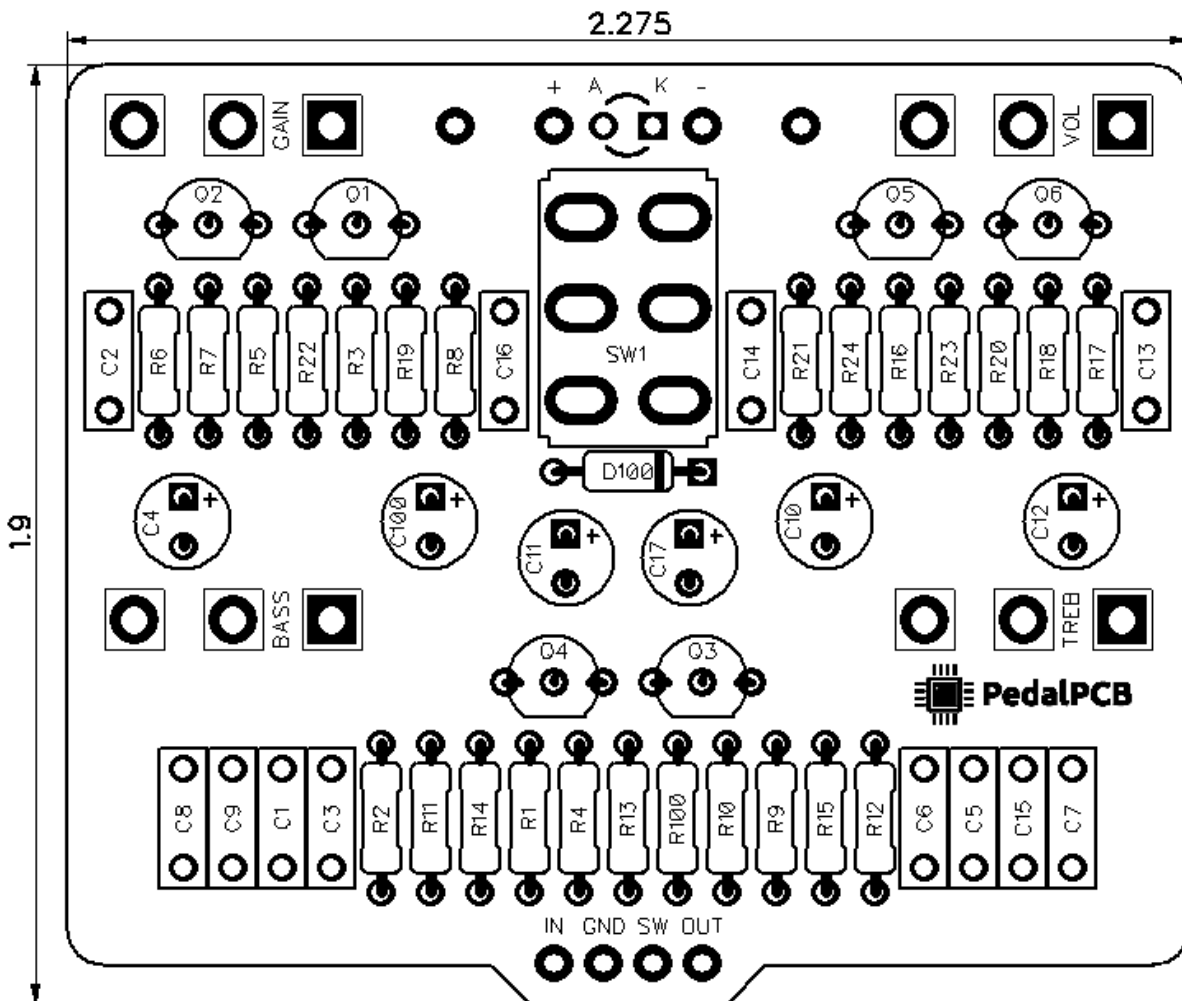


PedalPCB

SOFTii Overdrive

Revision 09.12.20



Controls

- Volume
- Gain
- Treble
- Bass
- Voice (toggle switch)

All trademarks and registered trademarks are the property of their respective owners. The company, product, and service names used in this web site are for identification purposes only. Use of these names, logos, and brands does not imply endorsement.

RESISTORS (1/4W)

R1 470K
R2 100K
R3 10K
R4 10K
R5 1M
R6 1M
R7 10K
R8 22K
R9 100K
R10 4K7
R11 100K
R12 1M
R13 1M
R14 4K7
R15 120K
R16 1K8
R17 1M
R18 1M
R19 470K
R20 3K9
R21 2K2
R22 1M
R23 10K
R24 1K
R100 4K7

CAPACITORS

C1 100n
C2 68n
C3 150p
C4 1u
C5 100n
C6 680p
C7 4n7
C8 1n
C9 4n7
C10 1u
C11 1u
C12 2u2
C13 4n7
C14 4n7
C15 47p
C16 4n7
C17 22u
C100 100u

SWITCHES

SW1 DPDT Toggle (On/On)

TRANSISTORS

Q1 MPP4393
Q2 MPP4393
Q3 MPP4393
Q4 MPP4393
Q5 MPP4393
Q6 MPP4393

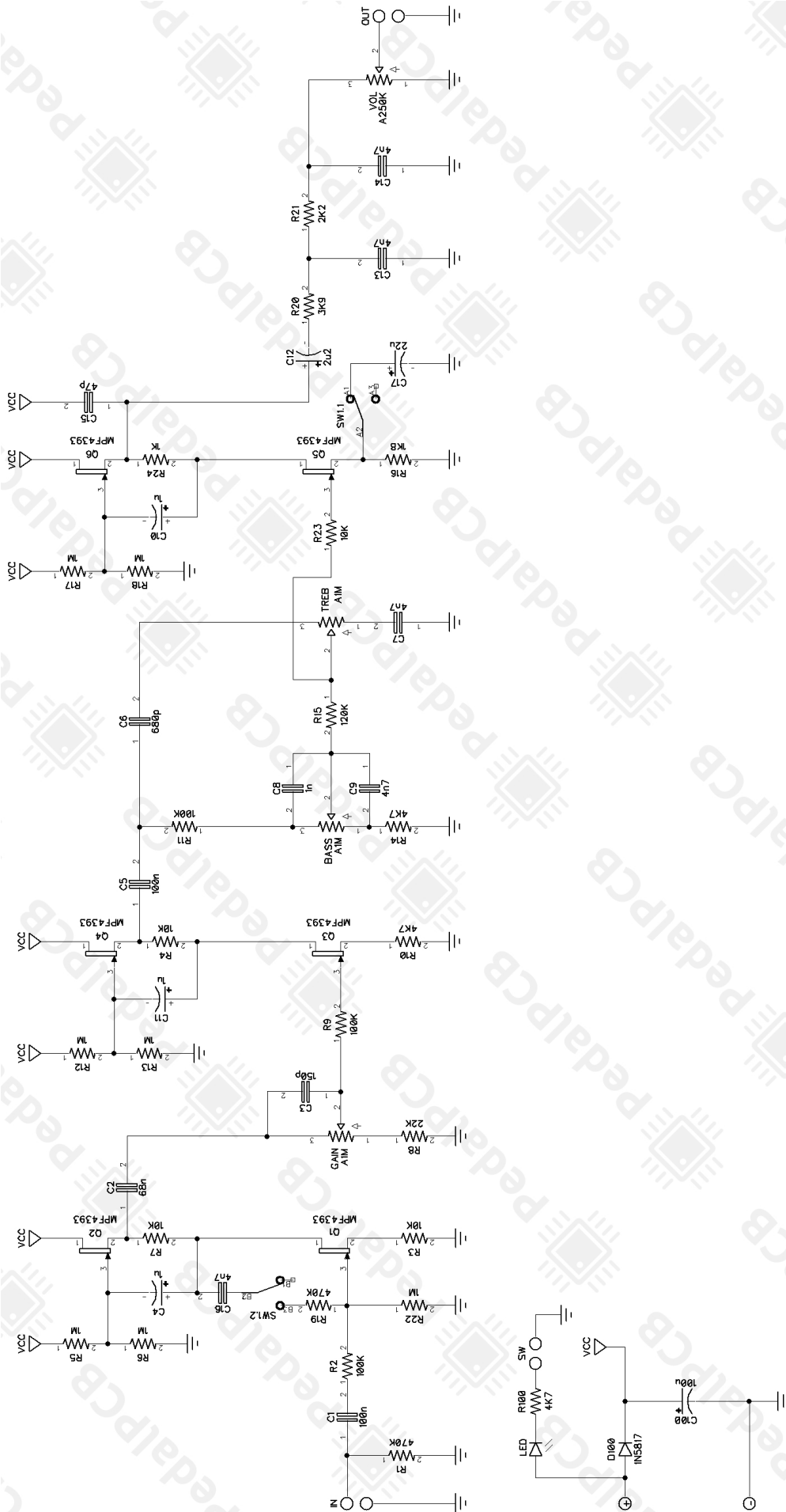
DIODES

D100 1N5817

POTENTIOMETERS

VOL A250K
GAIN A1M
BASS A1M
TREB A1M

SOFTii Overdrive



SOFTii Overdrive

Wiring Diagram



SOFTii Overdrive

Drill Template
125B enclosure with top mounted jacks

