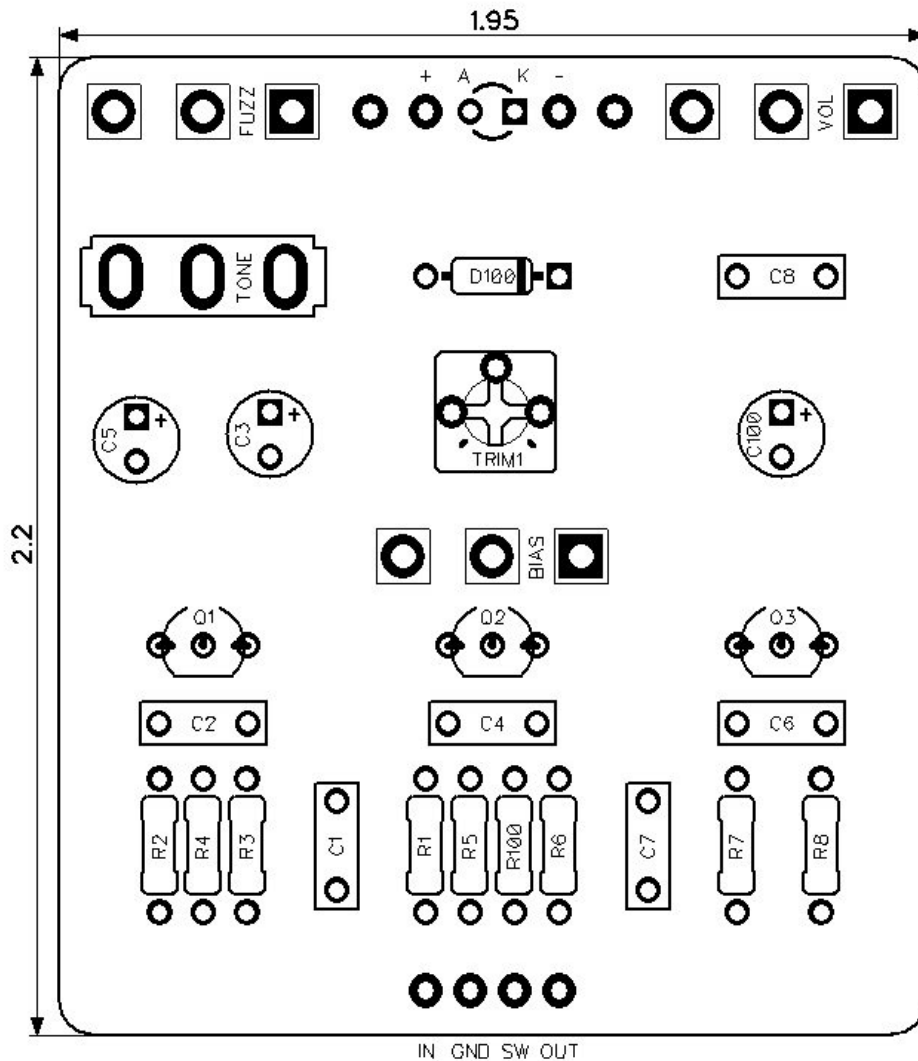


# PedalPCB

## Rosemary Fuzz

Revised 5/4/21



### CONTROLS AND FEATURES

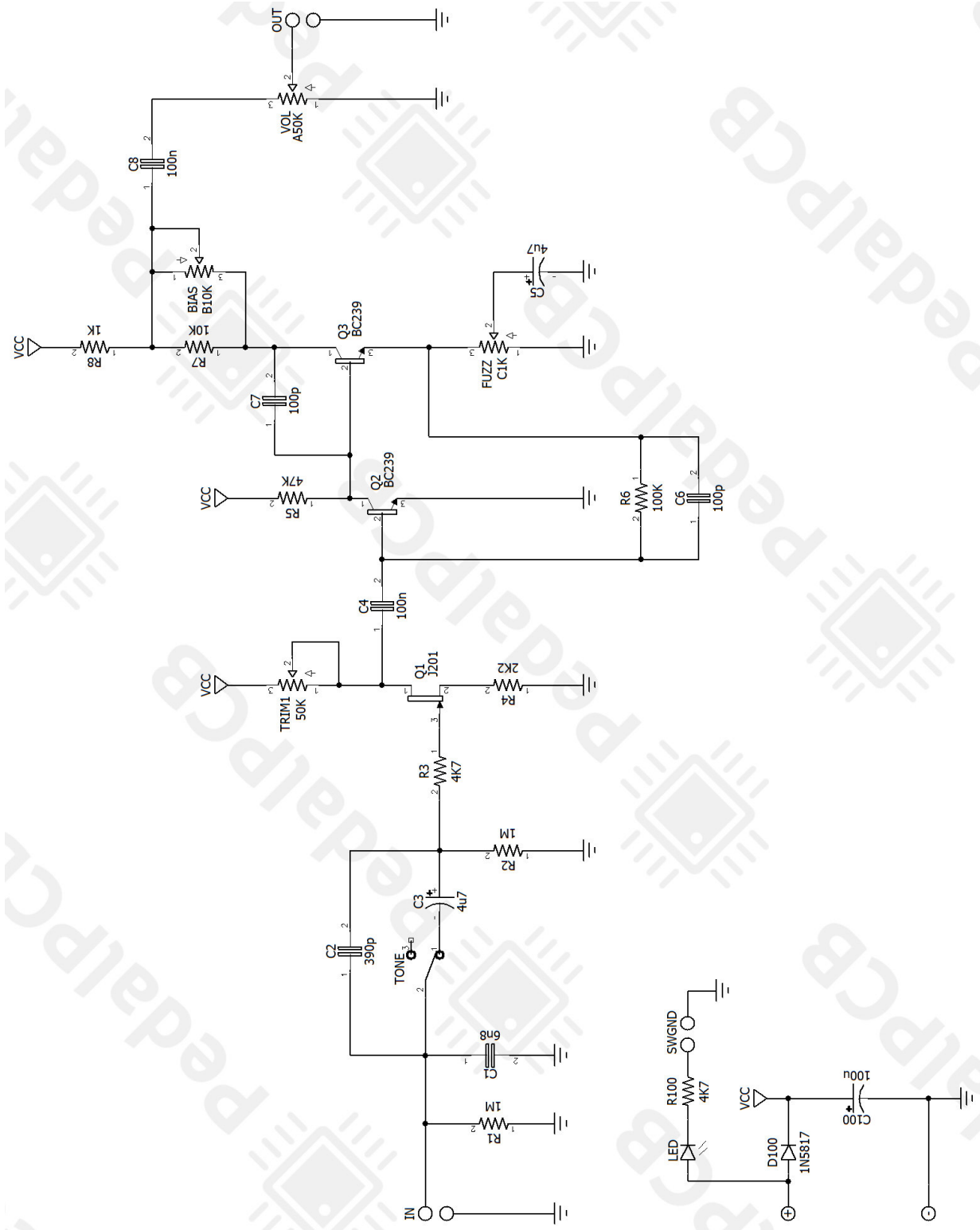
- Volume
- Bias
- Fuzz
- Tone (Toggle switch)

All trademarks and registered trademarks are the property of their respective owners. The company, product, and service names used in this web site are for identification purposes only. Use of these names, logos, and brands does not imply endorsement.

LOCATION	VALUE	TYPE	NOTES
R1	1M	Resistor, 1/4W	
R2	1M	Resistor, 1/4W	
R3	4K7	Resistor, 1/4W	
R4	2K2	Resistor, 1/4W	
R5	47K	Resistor, 1/4W	
R6	100K	Resistor, 1/4W	
R7	10K	Resistor, 1/4W	
R8	1K	Resistor, 1/4W	
R100	4K7	Resistor, 1/4W	
C1	6n8	Film capacitor, 7.2 x 2.5mm	
C2	390p	Ceramic capacitor	
C3	4u7	Electrolytic capacitor, 5mm	
C4	100n	Film capacitor, 7.2 x 2.5mm	
C5	4u7	Electrolytic capacitor, 5mm	
C6	100p	Ceramic capacitor	
C7	100p	Ceramic capacitor	
C8	100n	Film capacitor, 7.2 x 2.5mm	
C100	100u	Electrolytic capacitor, 5mm	
D100	1N5817	Schottky diode, DO-41	
Q1	J201	JFET transistor, N-channel	
Q2	BC239	BJT transistor, NPN TO-92	
Q3	BC239	BJT transistor, NPN TO-92	
VOL	A50K	16mm right-angle PCB mount pot	
BIAS	B10K	16mm right-angle PCB mount pot	
FUZZ	C1K	16mm right-angle PCB mount pot	
TRIM1	50K	Trim potentiometer (3362P-type)	
TONE	SPDT	Toggle switch, SPDT (ON/ON)	

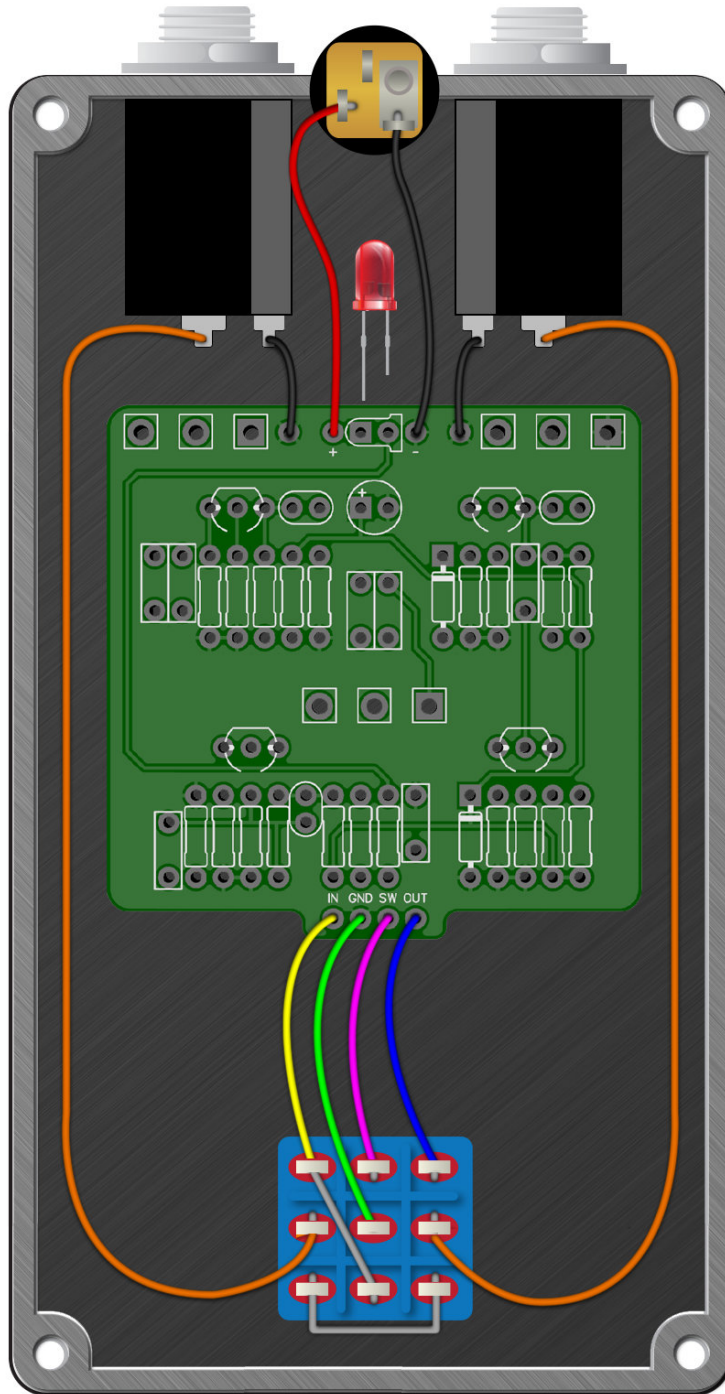
# Rosemary Fuzz

Schematic Diagram



# Rosemary Fuzz

Wiring Diagram



# Rosemary Fuzz

Drill Template  
125B Enclosure

