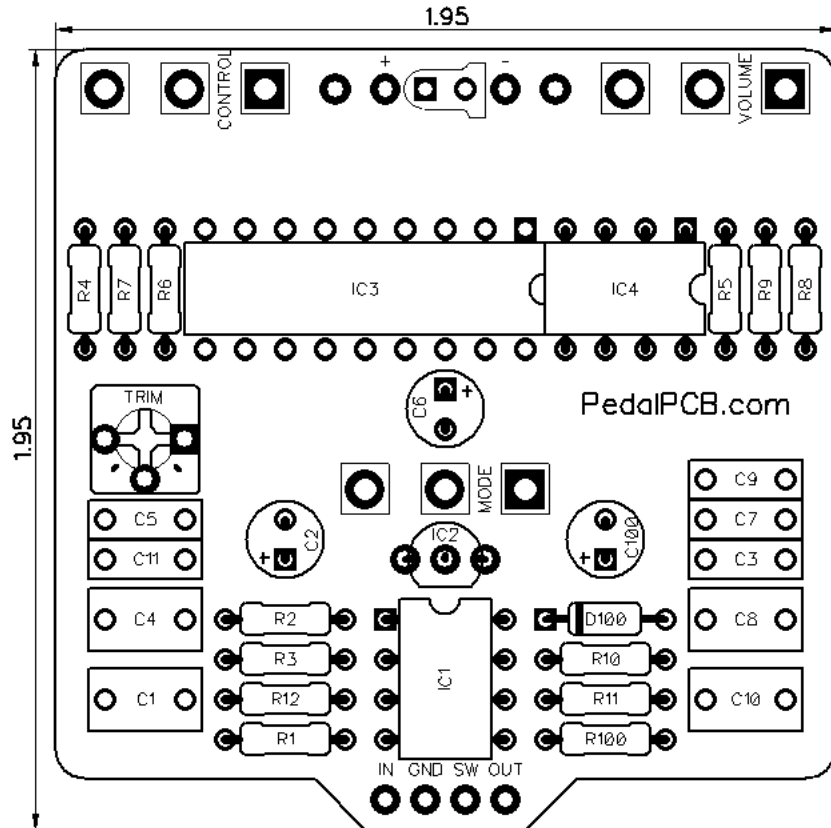




PedalPCB.com

# Roboto

Revision 03.18.18



### Resistors

R1	1M
R2	27K
R3	10K
R4	1K5
R5	43K
R6	100K
R7	5K6
R8	330
R9	10K
R10	27K
R11	430K
R12	10K
R100	4K7

### Capacitors

C1	330n
C2	47u
C3	100n
C4	330n
C5	100n
C6	2u2
C7	100n
C8	330n
C9	470p
C10	330n
C11	100n
C100	100u

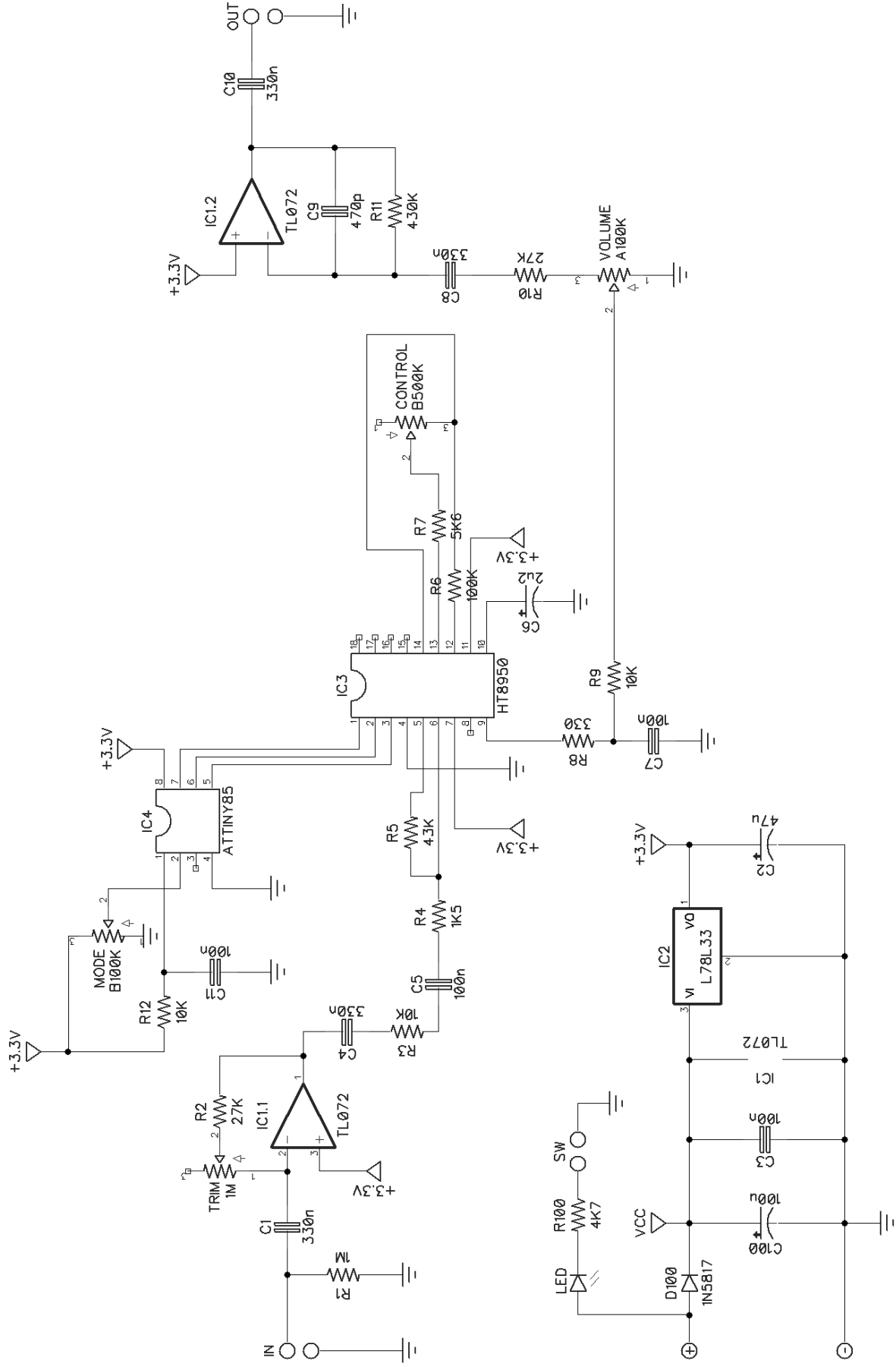
### Semiconductors

IC1	TL072
IC2	L78L33
IC3	HT8950
IC4	ATTINY85
D100	1N5817

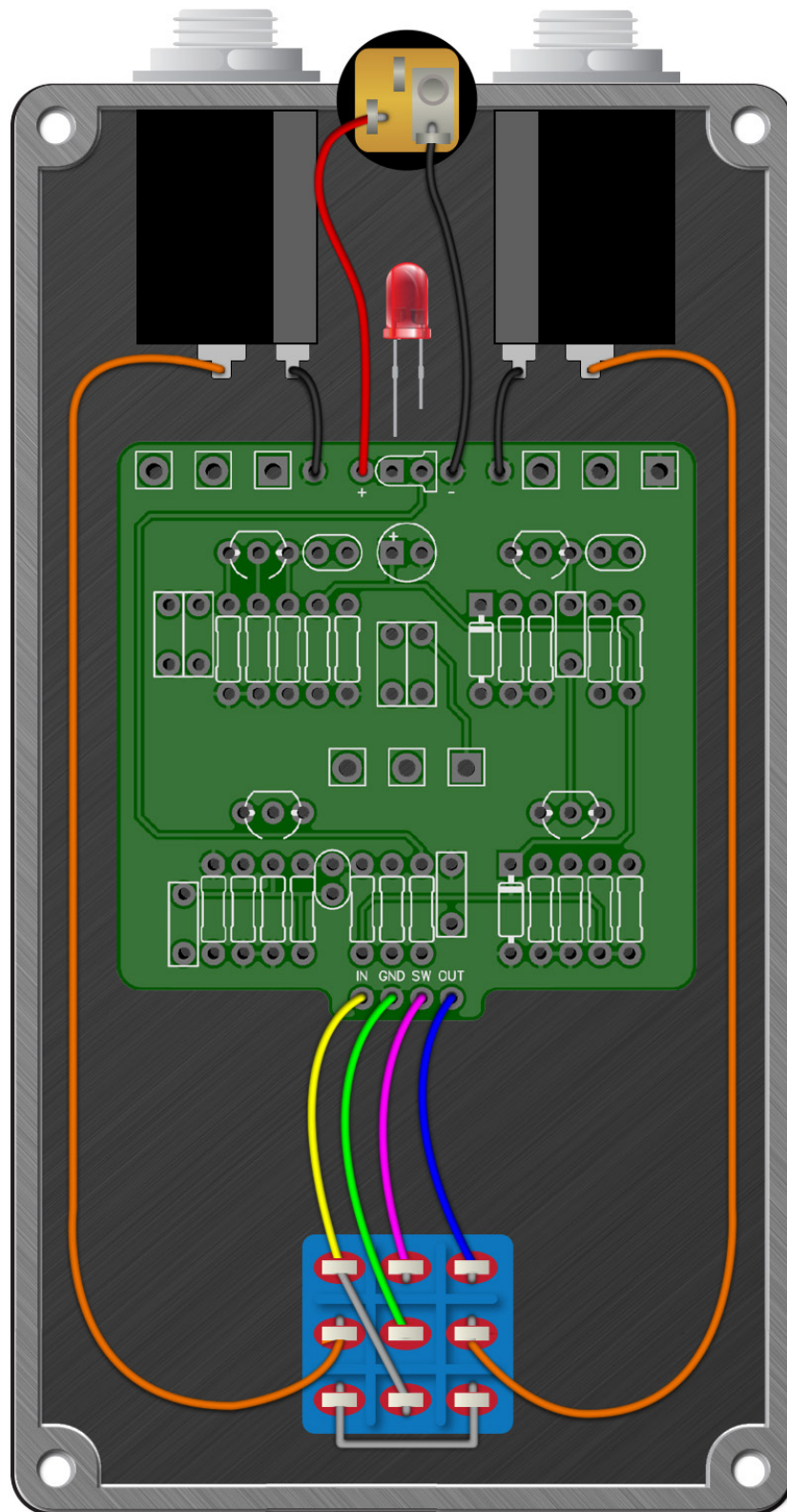
### Potentiometers

VOLUME	A100K
CONTROL	B500K
MODE	B100K
TRIM	1M

# Roboto



# Wiring Diagram



# Drill Template

4S125B enclosure with top mounted jacks

