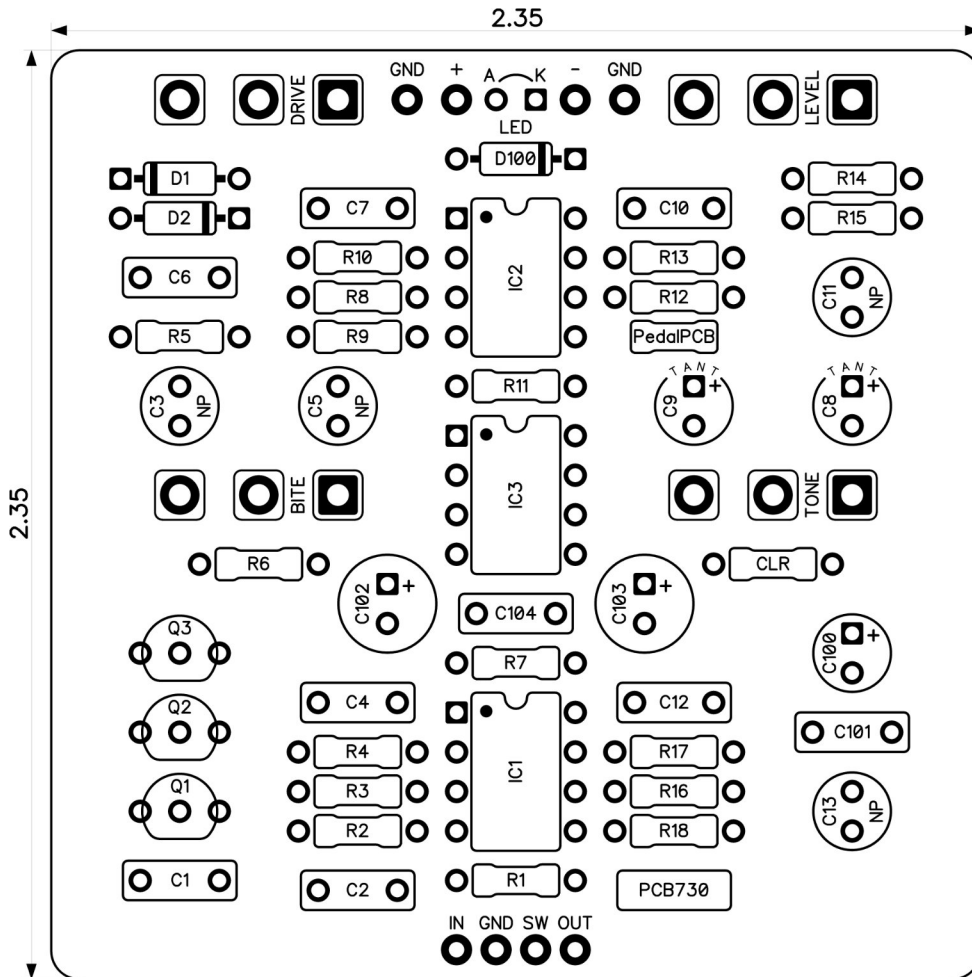


PedalPCB

Revision Overdrive

Revised 6/8/26



CONTROLS AND FEATURES

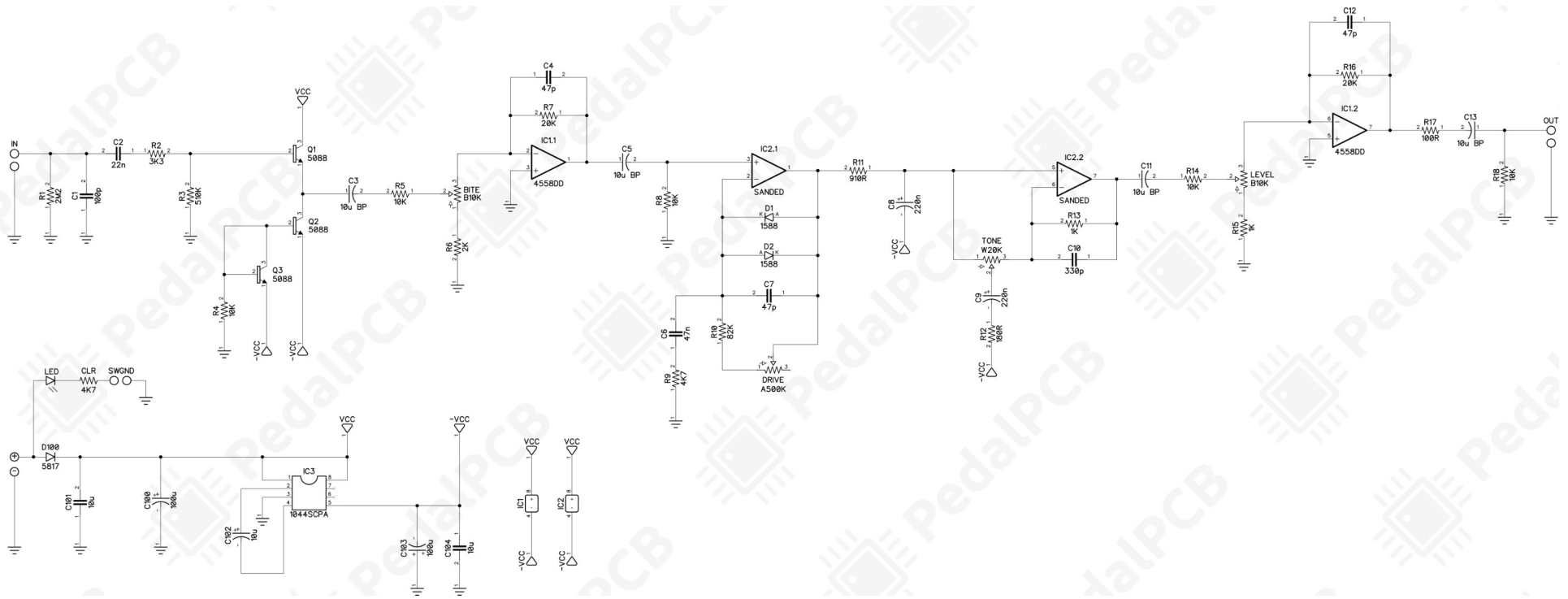
- Level
- Drive
- Tone
- Bite

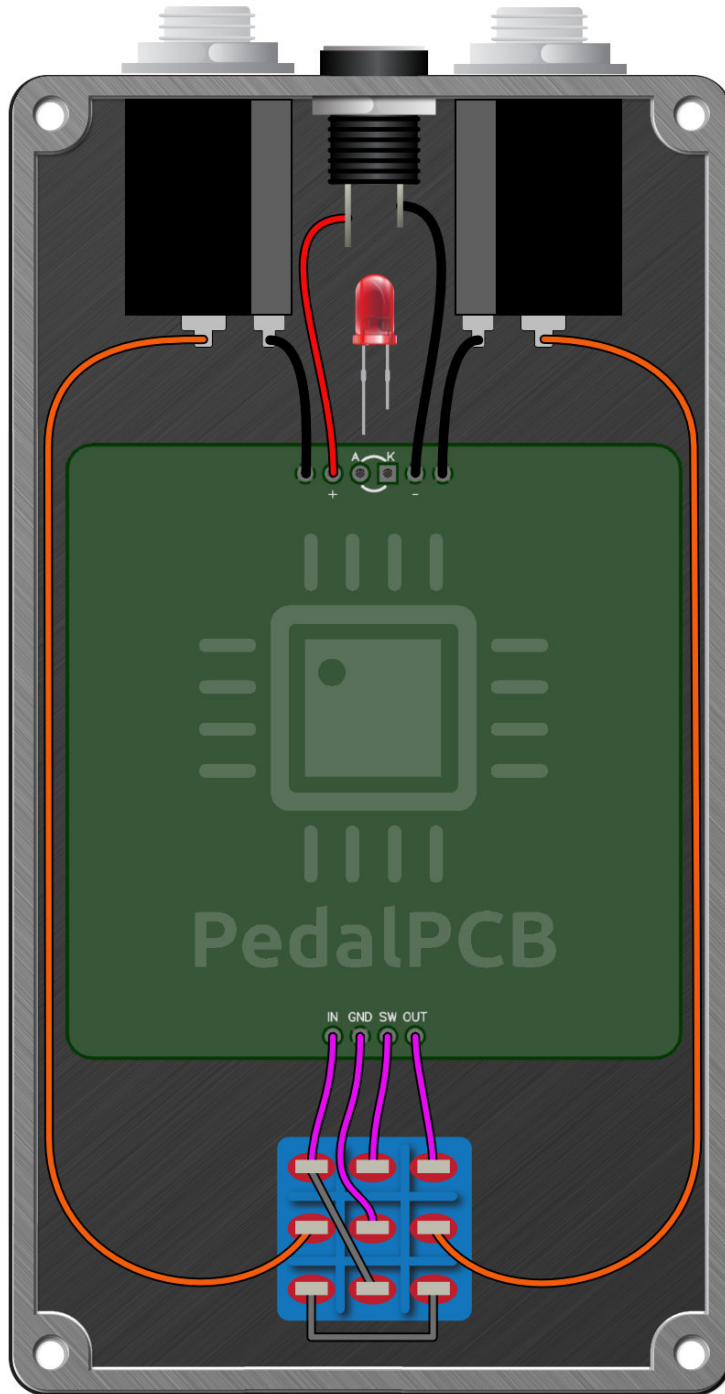
All trademarks and registered trademarks are the property of their respective owners. The company, product, and service names used in this web site are for identification purposes only. Use of these names, logos, and brands does not imply endorsement.

LOCATION	VALUE	TYPE	NOTES
R1	2M2	Resistor, 1/4W	
R2	3K3	Resistor, 1/4W	
R3	510K	Resistor, 1/4W	
R4	10K	Resistor, 1/4W	
R5	10K	Resistor, 1/4W	
R6	2K	Resistor, 1/4W	
R7	20K	Resistor, 1/4W	
R8	10K	Resistor, 1/4W	
R9	4K7	Resistor, 1/4W	
R10	82K	Resistor, 1/4W	
R11	910R	Resistor, 1/4W	
R12	180R	Resistor, 1/4W	
R13	1K	Resistor, 1/4W	
R14	10K	Resistor, 1/4W	
R15	1K	Resistor, 1/4W	
R16	20K	Resistor, 1/4W	
R17	100R	Resistor, 1/4W	
R18	10K	Resistor, 1/4W	
CLR	4K7	Resistor, 1/4W	* LED current limiting resistor
C1	100p	Ceramic capacitor	
C2	22n	Film capacitor, 7.2 x 2.5mm	
C3	10u BP	Bipolar Electrolytic capacitor, 5mm	
C4	47p	Ceramic capacitor	
C5	10u BP	Bipolar Electrolytic capacitor, 5mm	
C6	47n	Film capacitor, 7.2 x 2.5mm	
C7	47p	Ceramic capacitor	
C8	220n	Tantalum capacitor, 5mm	
C9	220n	Tantalum capacitor, 5mm	
C10	330p	Ceramic capacitor	
C11	10u BP	Bipolar Electrolytic capacitor, 5mm	
C12	47p	Ceramic capacitor	
C13	10u BP	Bipolar Electrolytic capacitor, 5mm	
C100	100u	Electrolytic capacitor, 5mm	
C101	10u	Electrolytic capacitor, 5mm	
C102	10u	Electrolytic capacitor, 5mm	
C103	100u	Electrolytic capacitor, 5mm	
C104	10u	Electrolytic capacitor, 5mm	
D1	1S1588	Signal diode, DO-35	
D2	1S1588	Signal diode, DO-35	
D100	1N5817	Schottky diode, DO-41	
Q1	2N5088	BJT transistor, NPN TO-92	
Q2	2N5088	BJT transistor, NPN TO-92	
Q3	2N5088	BJT transistor, NPN TO-92	
IC1	JRC4558DD	Dual op-amp, DIP8	
IC2	SANDED	Dual op-amp, DIP8	(JRC4558, etc)
IC3	1044SCPA	Charge pump IC, DIP8	
LEVEL	B10K	16mm right-angle PCB mount pot	
DRIVE	A500K	16mm right-angle PCB mount pot	
TONE	W20K	16mm right-angle PCB mount pot	
BITE	B10K	16mm right-angle PCB mount pot	

Revision Overdrive

Schematic Diagram





Revision Overdrive

Drill Template
125B Enclosure

