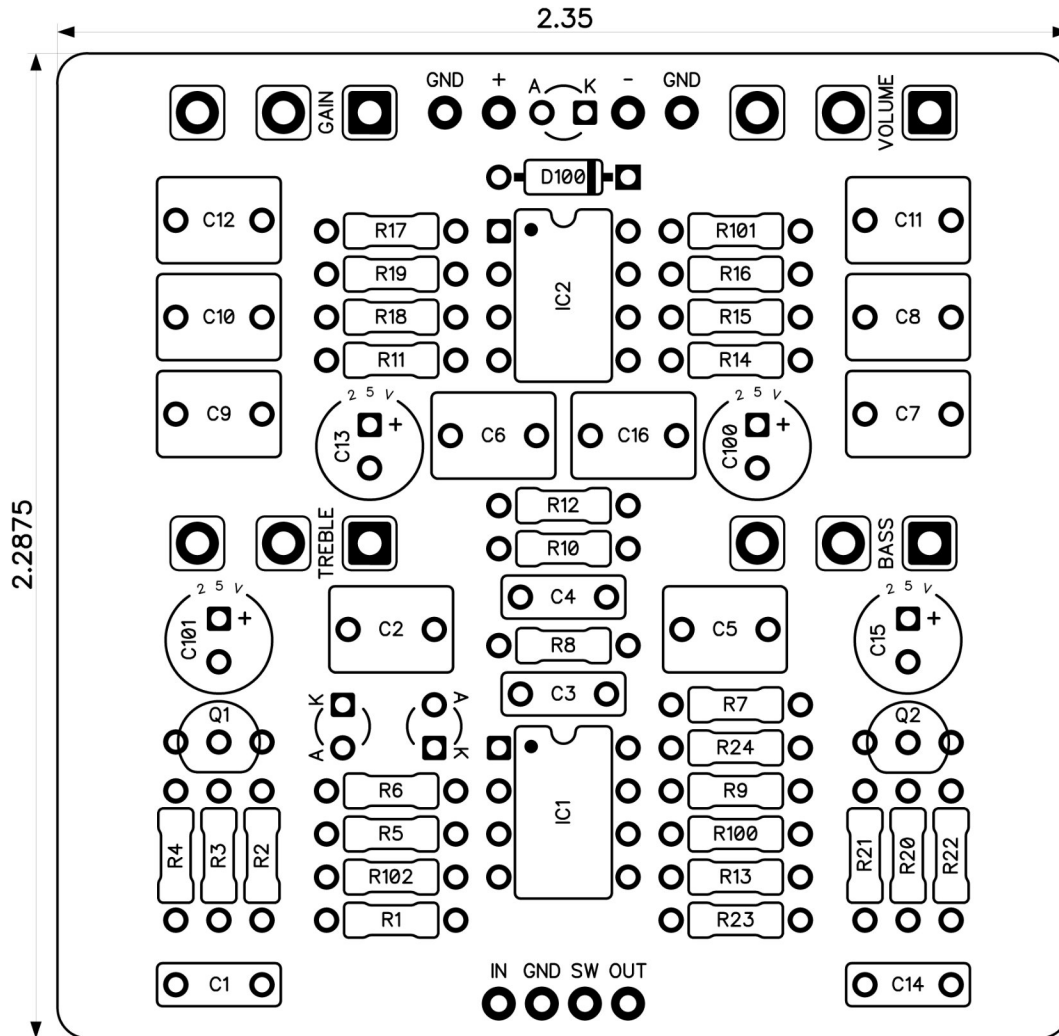


PedalPCB

Revel Overdrive

Revised 8/13/23



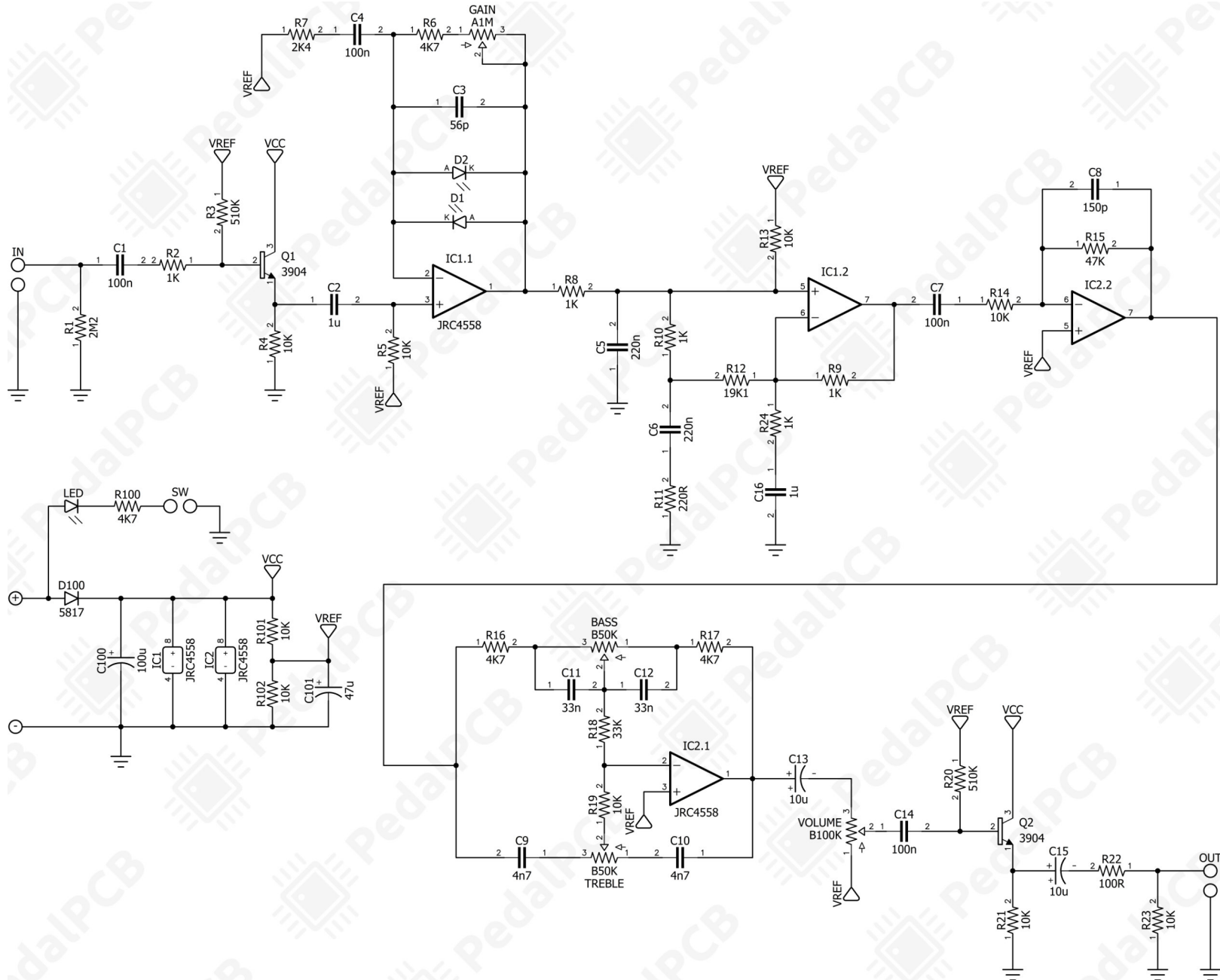
CONTROLS AND FEATURES

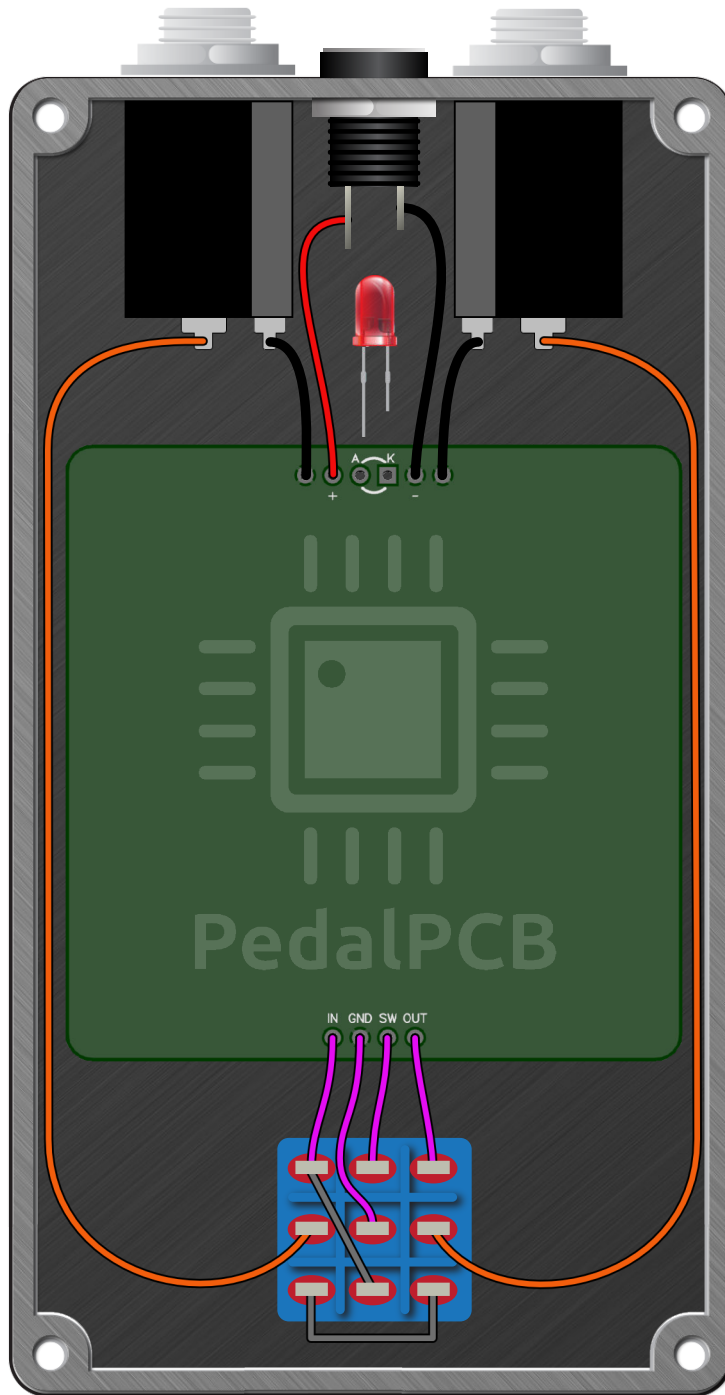
- Volume
- Gain
- Bass
- Treble

All trademarks and registered trademarks are the property of their respective owners. The company, product, and service names used in this web site are for identification purposes only. Use of these names, logos, and brands does not imply endorsement.

Revel Overdrive

Schematic Diagram





Revel Overdrive

Drill Template
125B Enclosure

