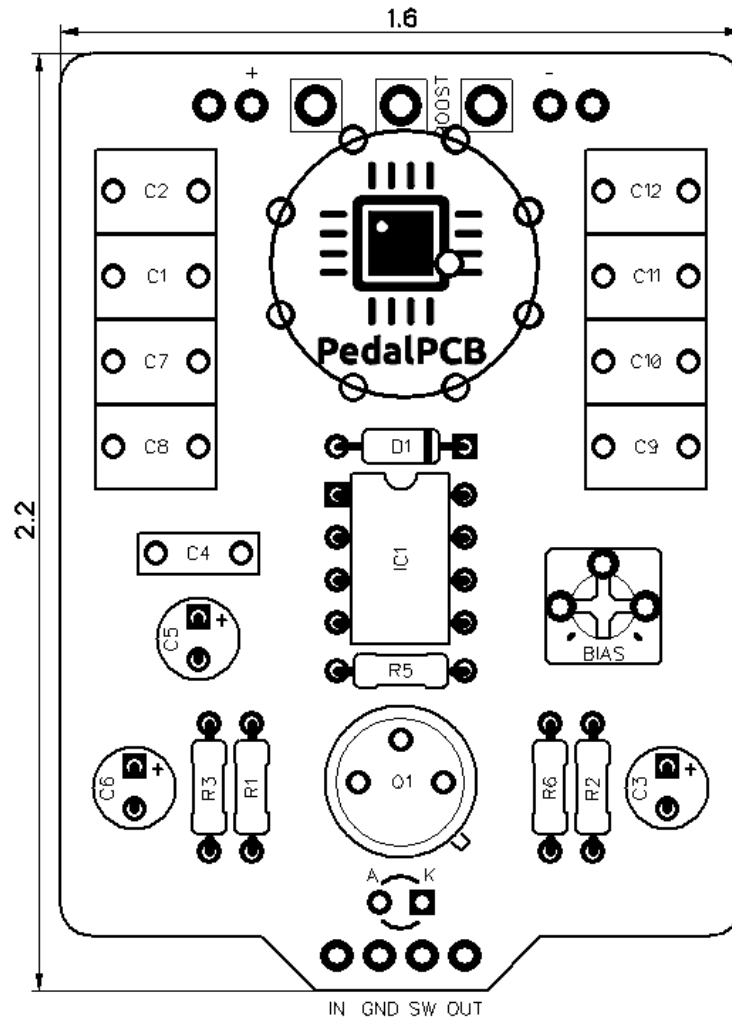




# PedalPCB

## RangeFinder Boost

Revision 12.28.19



### Controls

- Boost
- Range (Rotary Switch)

All trademarks and registered trademarks are the property of their respective owners. The company, product, and service names used in this web site are for identification purposes only. Use of these names, logos, and brands does not imply endorsement.

# RangeFinder Boost

## Parts List

### RESISTORS (1/4W)

R1 1M  
R2 470K  
R3 68K  
R5 1M  
R6 4K7

### CAPACITORS

C1 47n  
C2 22n  
C3 47u  
C4 10n  
C5 10u  
C6 47u  
C7 100n  
C8 1u  
C9 2n2  
C10 4n7  
C11 6n8  
C12 10n

### INTEGRATED CIRCUITS

IC1 TC1044SCPA

### DIODES

D1 1N5817

### POTENTIOMETERS

Q1 GE PNP

### POTENTIOMETERS

BOOST A10K

### SWITCHES

SW1 1P8T Mini Rotary

### TRIM POTS (3362P Style)

BIAS 5K

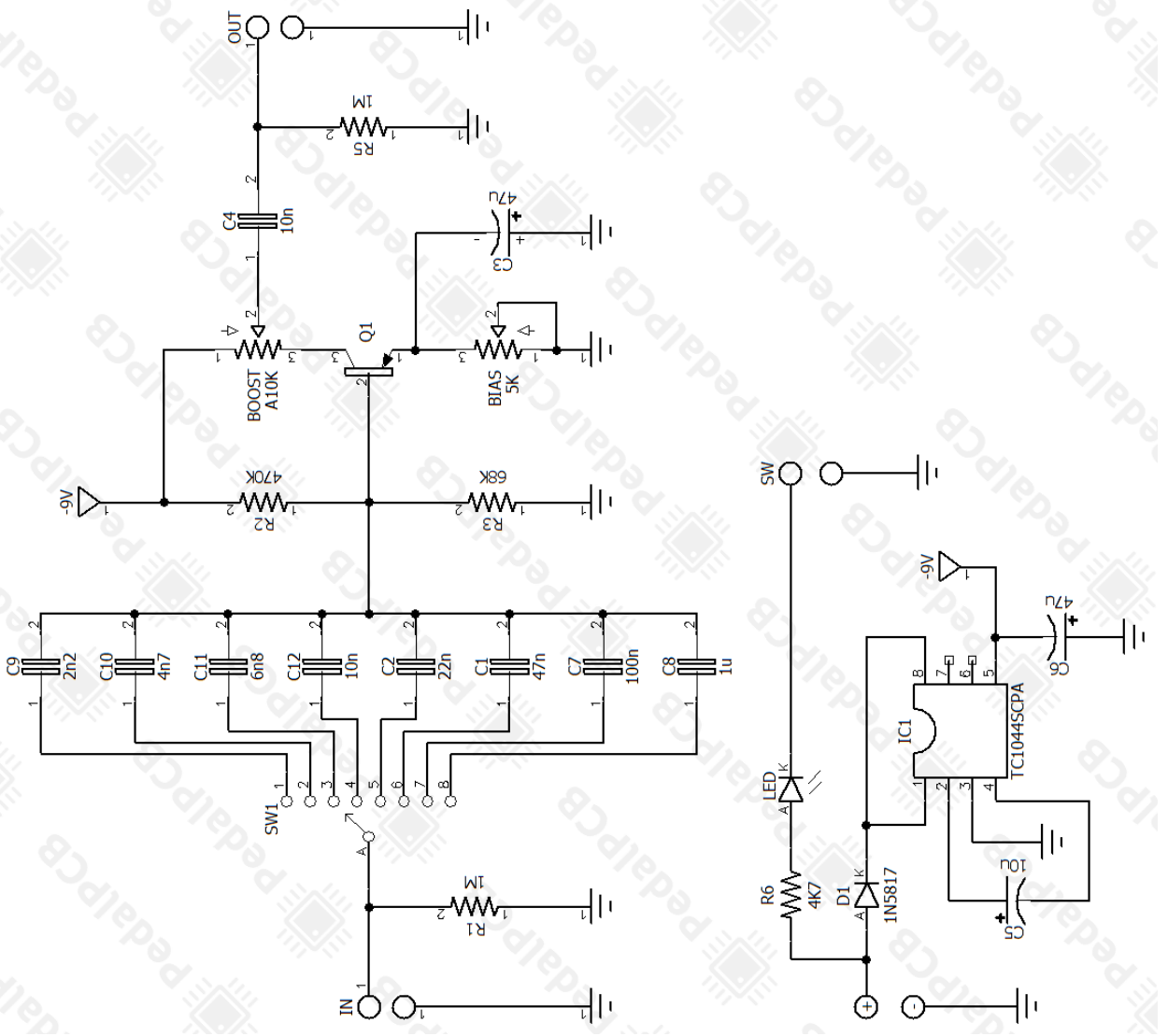
## NOTES

**Q1** is typical Germanium PNP spec'd for Rangemaster type circuits

**SW1** is 1P8T 16mm Mini Rotary Switch

<https://www.pedalpcb.com/product/mini-1p8t/>

# RangeFinder Boost



# RangeFinder Boost

Wiring Diagram



# RangeFinder Boost

Drill Template  
125B Enclosure

