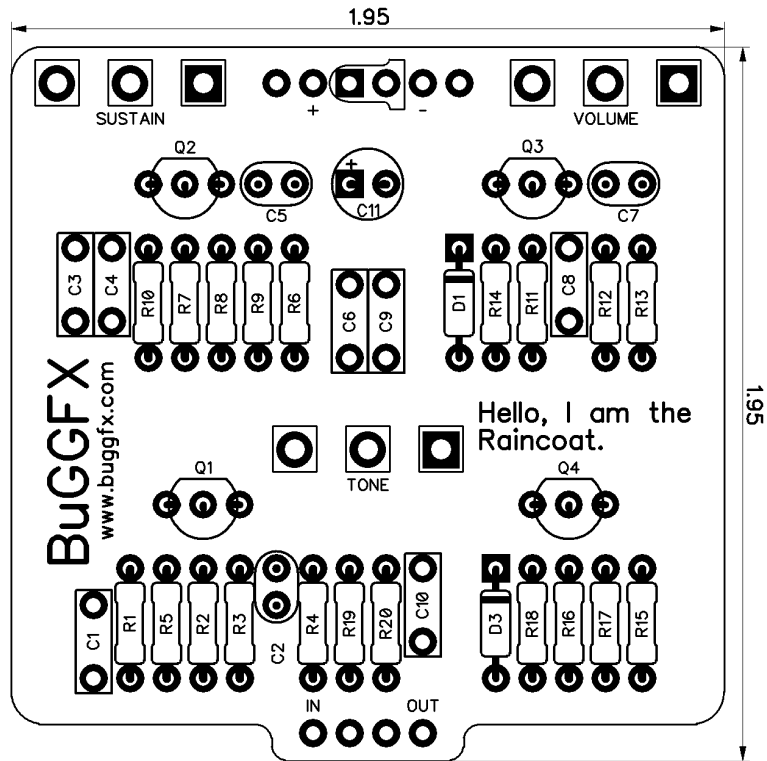


Raincoat

Revision 08.06.17



Resistors

R1	1M
R2	100K
R3	470K
R4	12K
R5	390
R6	220
R7	100K
R8	470K
R9	12K
R10	390
R11	100K
R12	470K
R13	12K
R14	390
R15	470K
R16	100K
R17	12K
R18	2K2
R19	220
R20	4K7

Capacitors

C1	100n
C2	470p
C3	100n
C4	100n
C5	470p
C6	10n
C7	470p
C8	100n
C9	100n
C10	330n
C11	47u

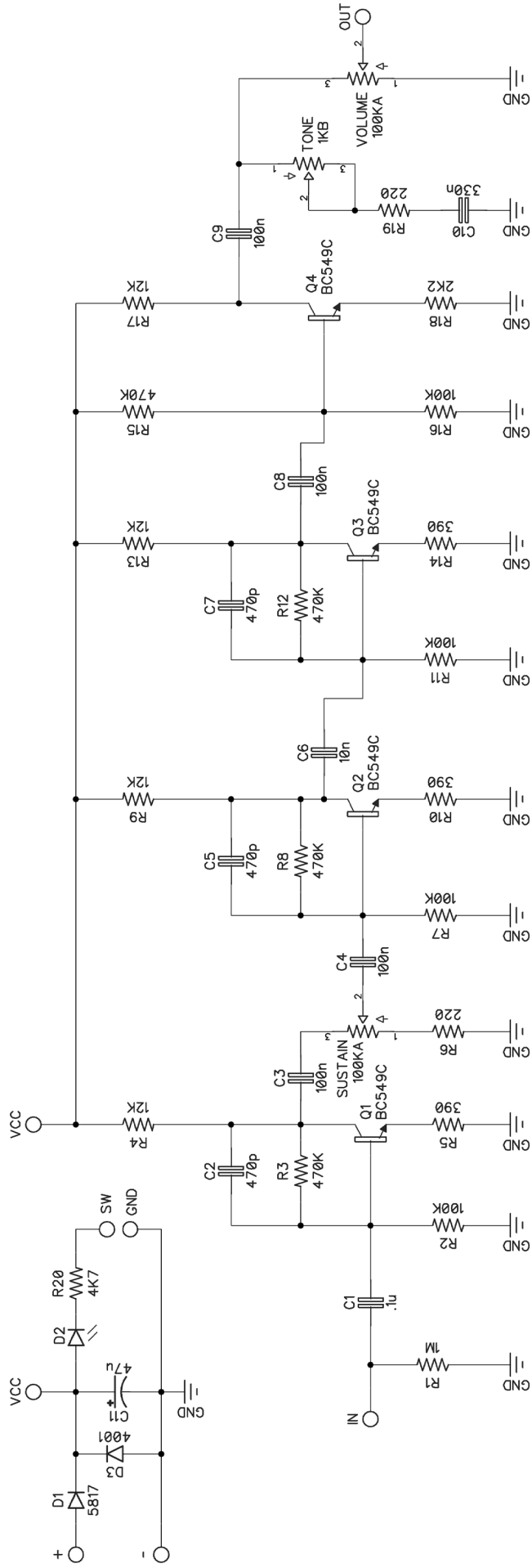
Semiconductors

Q1	BC549C
Q2	BC549C
Q3	BC549C
Q4	BC549C
D1	1N5817
D2	3mm Red LED
D3	N/A

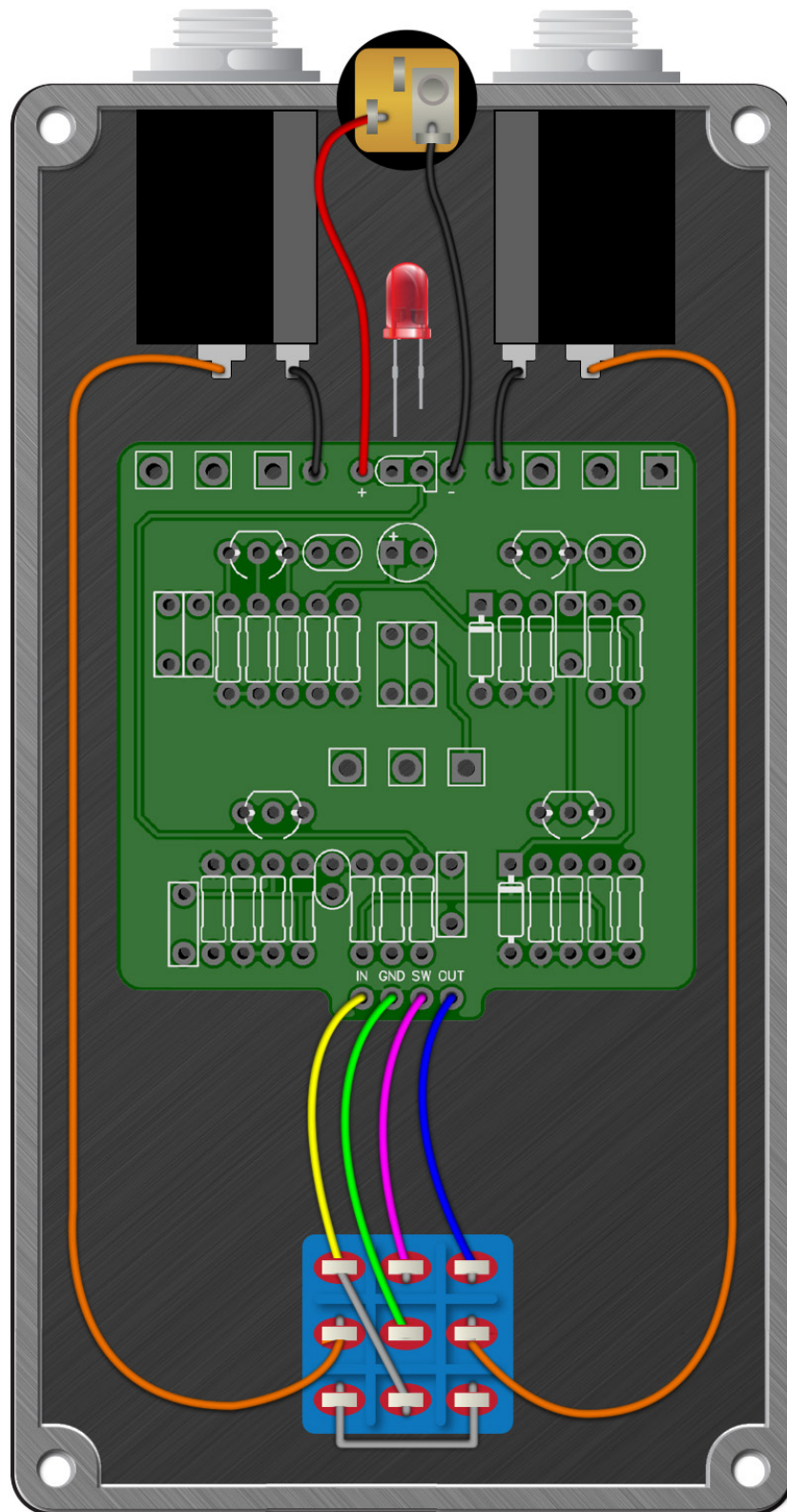
Potentiometers

VOLUME	A100K
TONE	B1K
SUSTAIN	A100K

Raincoat

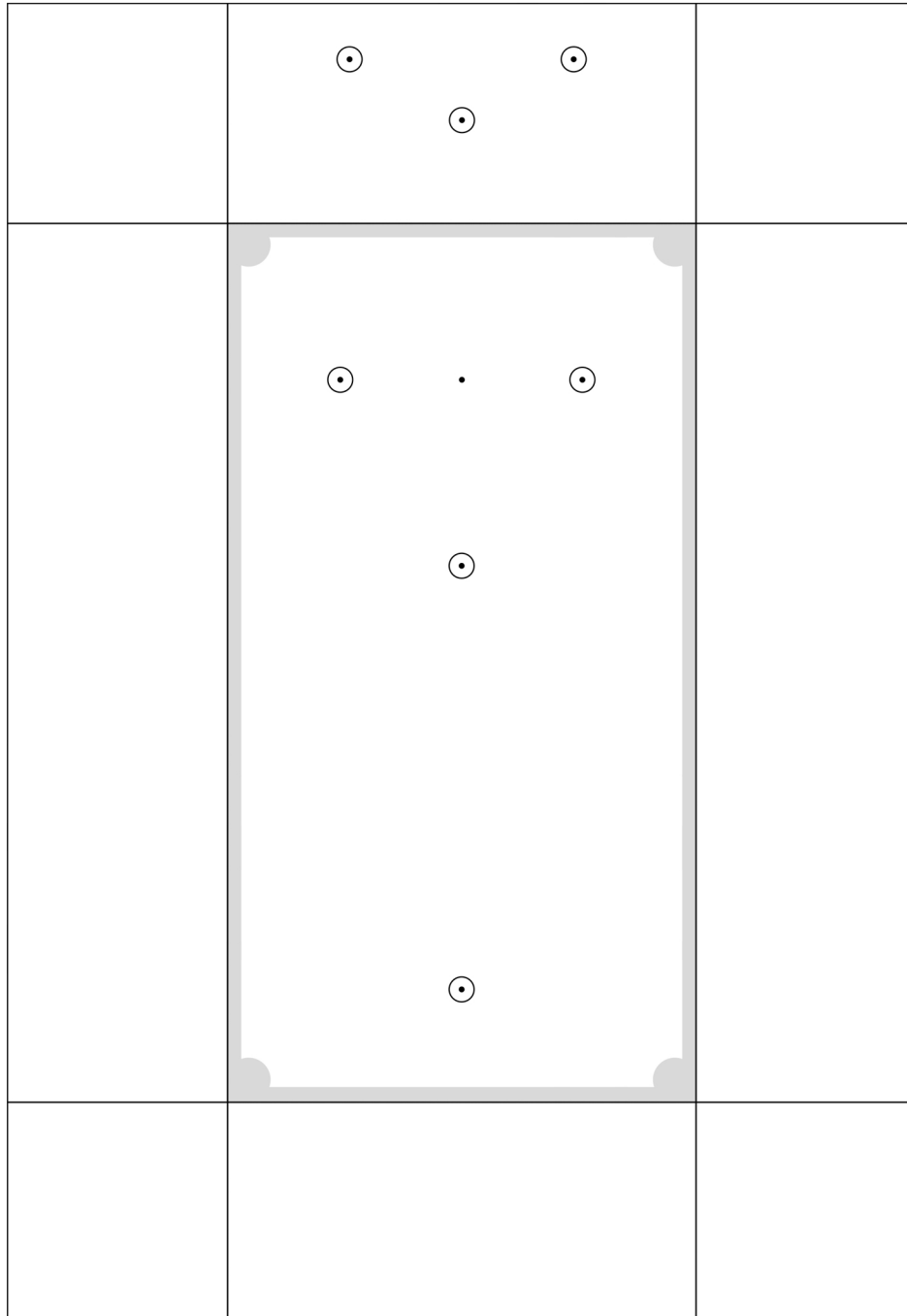


Wiring Diagram



Drill Template

4S125B enclosure with top mounted jacks



Bill of Materials

Resistors (1/4W)

2 x 220
3 x 390
1 x 2.2K
1 x 4.7K
4 x 12K
4 x 100K
4 x 470K
1 x 1M

Capacitors

3 x 470p
1 x 10n
5 x 100n
1 x 330n
1 x 47u

Semiconductors

4 x BC549C
1 x 1N5817
1 x 3mm LED

Potentiometers

2 x A100K
1 x B1K