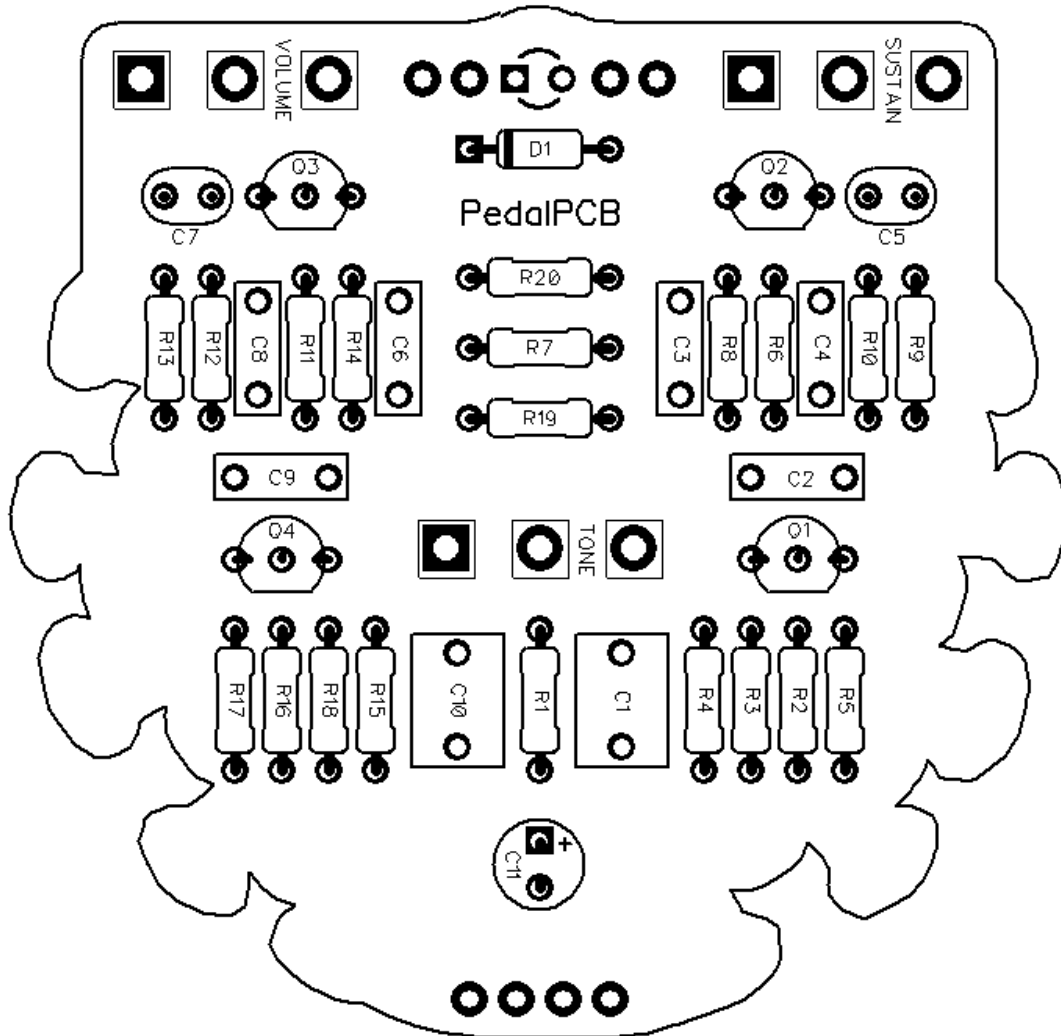


PedalPCB

Quarantine Fuzz

Revised 5/20/20



CONTROLS AND FEATURES

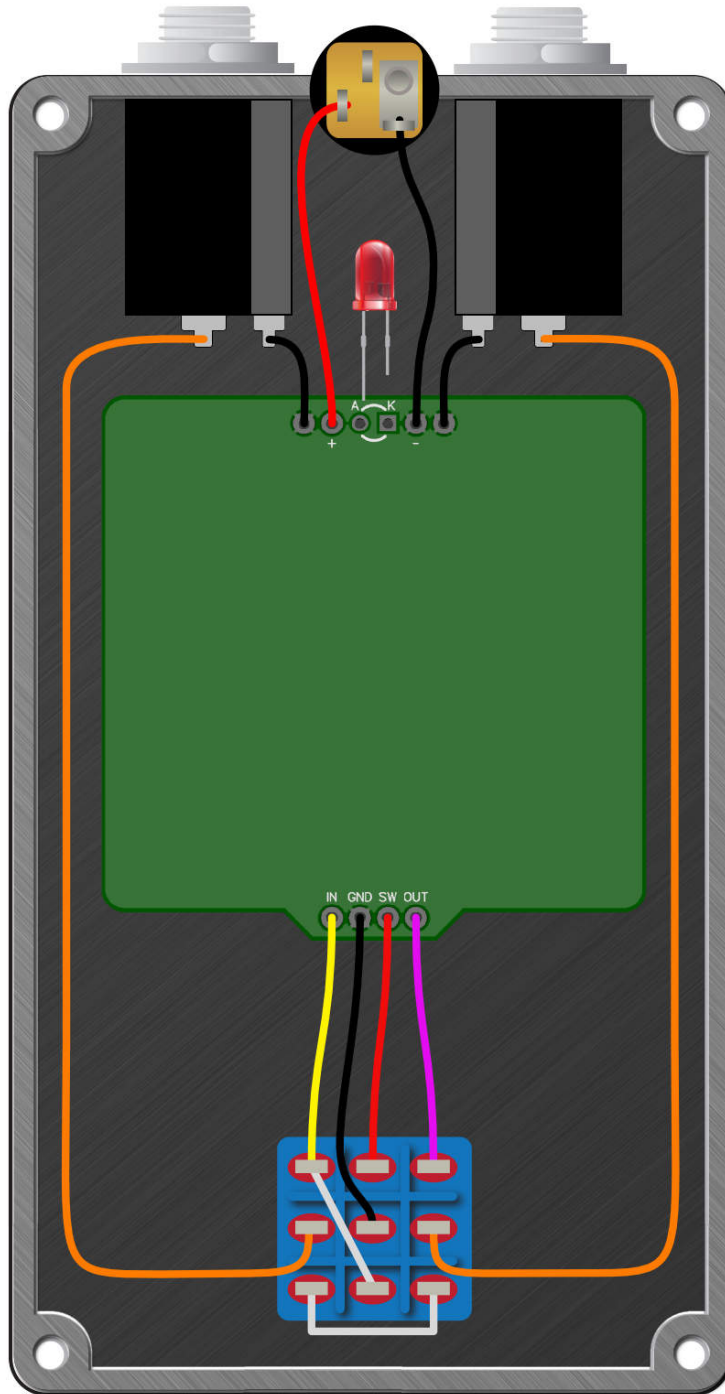
- **Volume** adjusts the overall output Volume
- **Tone** adjusts the amount of Treble / Bass
- **Sustain** controls the level of Fuzz

All trademarks and registered trademarks are the property of their respective owners. The company, product, and service names used in this web site are for identification purposes only. Use of these names, logos, and brands does not imply endorsement.

LOCATION	VALUE	TYPE	NOTES
R1	1M	Resistor, 1/4W	
R2	100K	Resistor, 1/4W	
R3	470K	Resistor, 1/4W	
R4	12K	Resistor, 1/4W	
R5	390R	Resistor, 1/4W	
R6	220R	Resistor, 1/4W	
R7	100K	Resistor, 1/4W	
R8	470K	Resistor, 1/4W	
R9	12K	Resistor, 1/4W	
R10	390R	Resistor, 1/4W	
R11	100K	Resistor, 1/4W	
R12	470K	Resistor, 1/4W	
R13	12K	Resistor, 1/4W	
R14	390R	Resistor, 1/4W	
R15	470K	Resistor, 1/4W	
R16	100K	Resistor, 1/4W	
R17	12K	Resistor, 1/4W	
R18	2K2	Resistor, 1/4W	
R19	220R	Resistor, 1/4W	
R20	4K7	Resistor, 1/4W	
C1	100n	Film capacitor, 7.2 x 2.5mm	
C2	470p	Ceramic capacitor	
C3	100n	Film capacitor, 7.2 x 2.5mm	
C4	100n	Film capacitor, 7.2 x 2.5mm	
C5	470p	Ceramic capacitor	
C6	10n	Film capacitor, 7.2 x 2.5mm	
C7	470p	Ceramic capacitor	
C8	100n	Film capacitor, 7.2 x 2.5mm	
C9	100n	Film capacitor, 7.2 x 2.5mm	
C10	330n	Film capacitor, 7.2 x 5mm	
C11	47u	Electrolytic capacitor, 5mm	
D1	1N5817	Schottky diode, DO-41	
Q1	BC549C	BJT transistor, NPN TO-92	
Q2	BC549C	BJT transistor, NPN TO-92	
Q3	BC549C	BJT transistor, NPN TO-92	
Q4	BC549C	BJT transistor, NPN TO-92	
VOLUME	A100K	16mm right-angle PCB mount pot	Long pin potentiometer required
TONE	B1K	16mm right-angle PCB mount pot	Long pin potentiometer required
SUSTAIN	A100K	16mm right-angle PCB mount pot	Long pin potentiometer required

NOTE: Unlike most other PedalPCB projects, the potentiometers should be mounted to the component side of the PCB in the Quarantine Fuzz. This will require long pin potentiometers.

<https://stompboxparts.com/pots/16mm-pot-smooth-shaft-tall-pcb-leg/>
<http://smallbear-electronics.mybigcommerce.com/alpha-single-gang-16mm-rt-angle-pc-mt-long-pin-linear-audio/>



Quarantine Fuzz

Drill Template
125B enclosure

