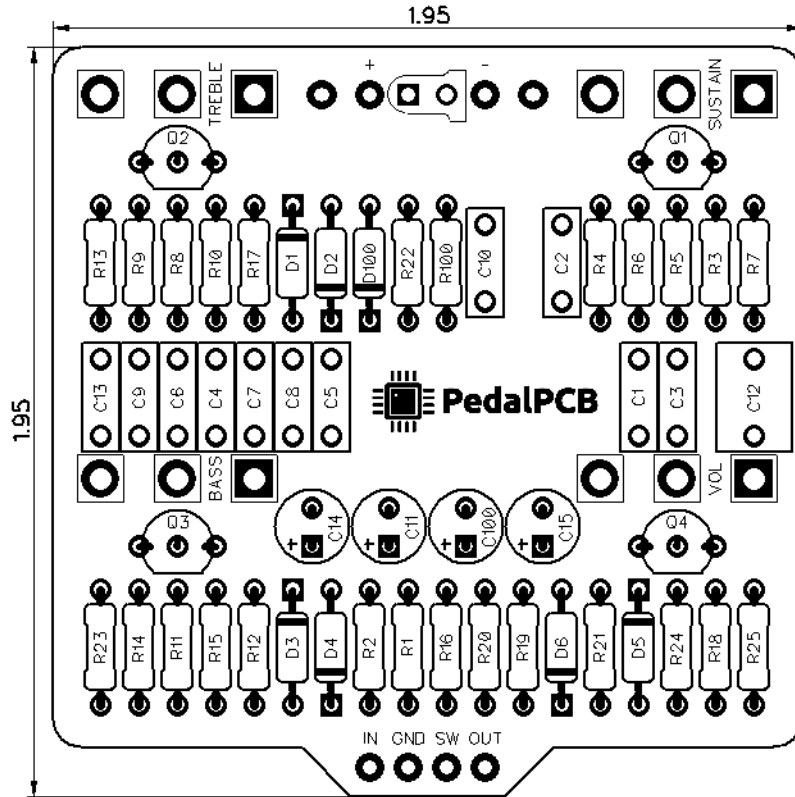


PedalPCB.com

Pyrocumulus Fuzz

Revision 08.12.20



Resistors

R1	1M
R2	3K3
R3	820R
R4	82K
R5	390K
R6	22K
R7	1K
R8	8K2
R9	390K
R10	150R
R11	390K
R12	8K2
R13	12K
R14	22K
R15	820R
R16	82K
R17	10K
R18	2M2
R19	150R

R20	4K7
R21	150R
R22	10K
R23	10K
R24	33K
R25	330R
R100	4K7

Capacitors

C1	100n
C2	100n
C3	100n
C4	560p
C5	47n
C6	100n
C7	560p
C8	47n
C9	2n2
C10	2n2
C11	4u7
C12	1u
C13	22n
C14	4u7
C15	47u
C100	100u

Semiconductors

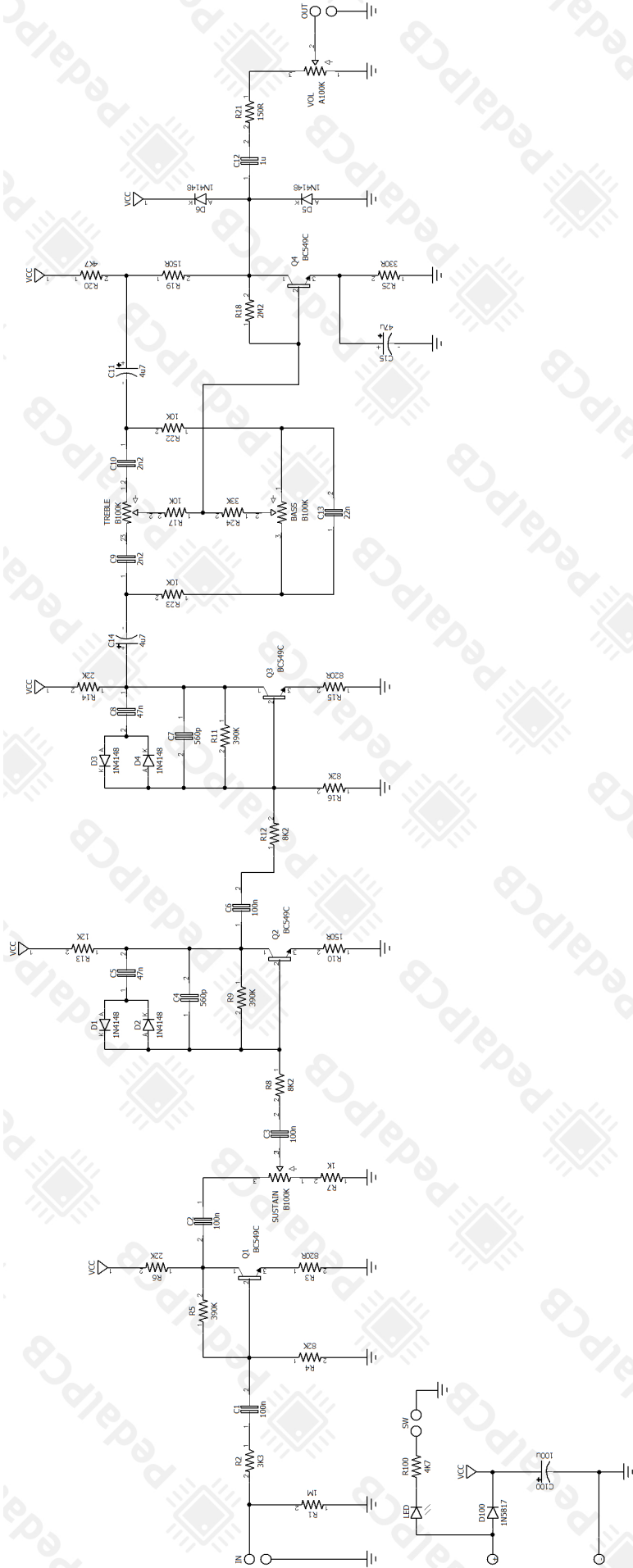
Q1	BC549C
Q2	BC549C
Q3	BC549C
Q4	BC549C
D100	1N5817
D1	1N4148
D2	1N4148
D3	1N4148
D4	1N4148
D5	1N4148
D6	1N4148

Potentiometers

VOL	A100K
SUSTAIN	B100K
TREBLE	B100K
BASS	B100K



Pyrocumulus Fuzz



Wiring Diagram

