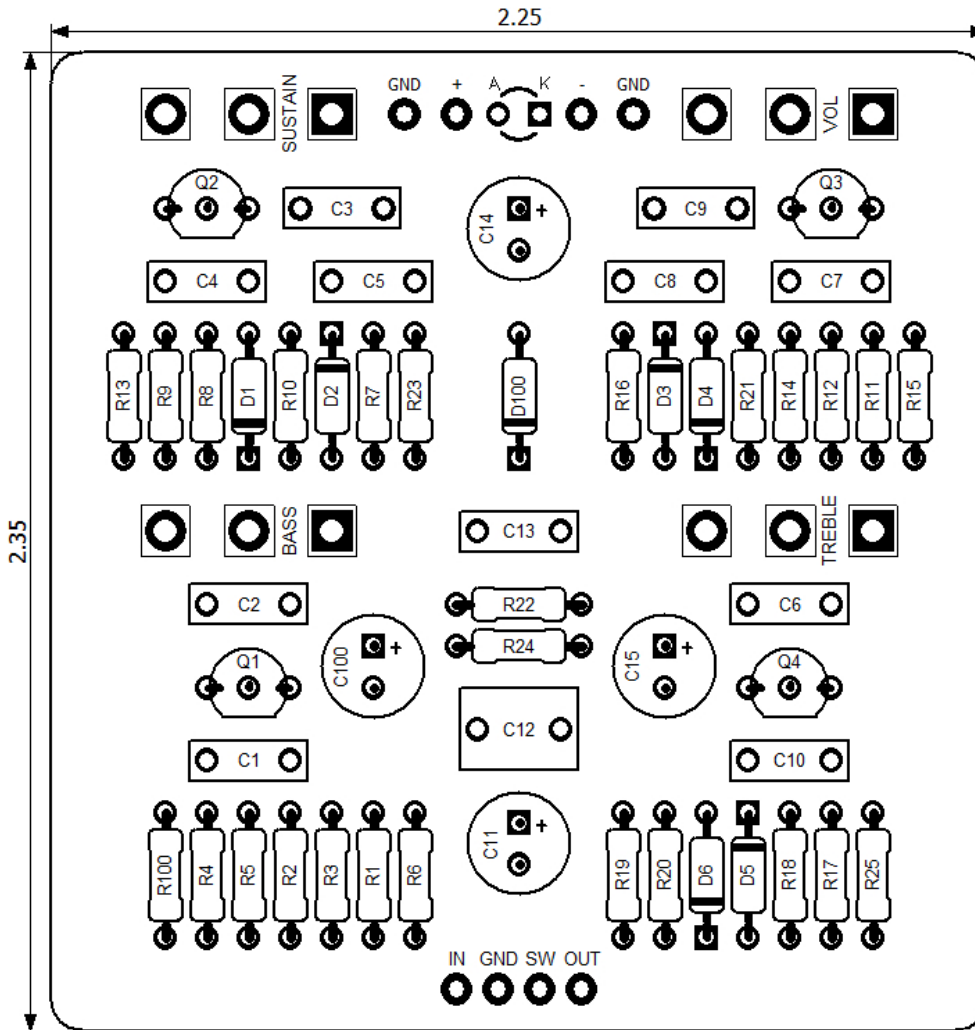


PedalPCB

Pyrocumulus Fuzz

Revised 1/16/22



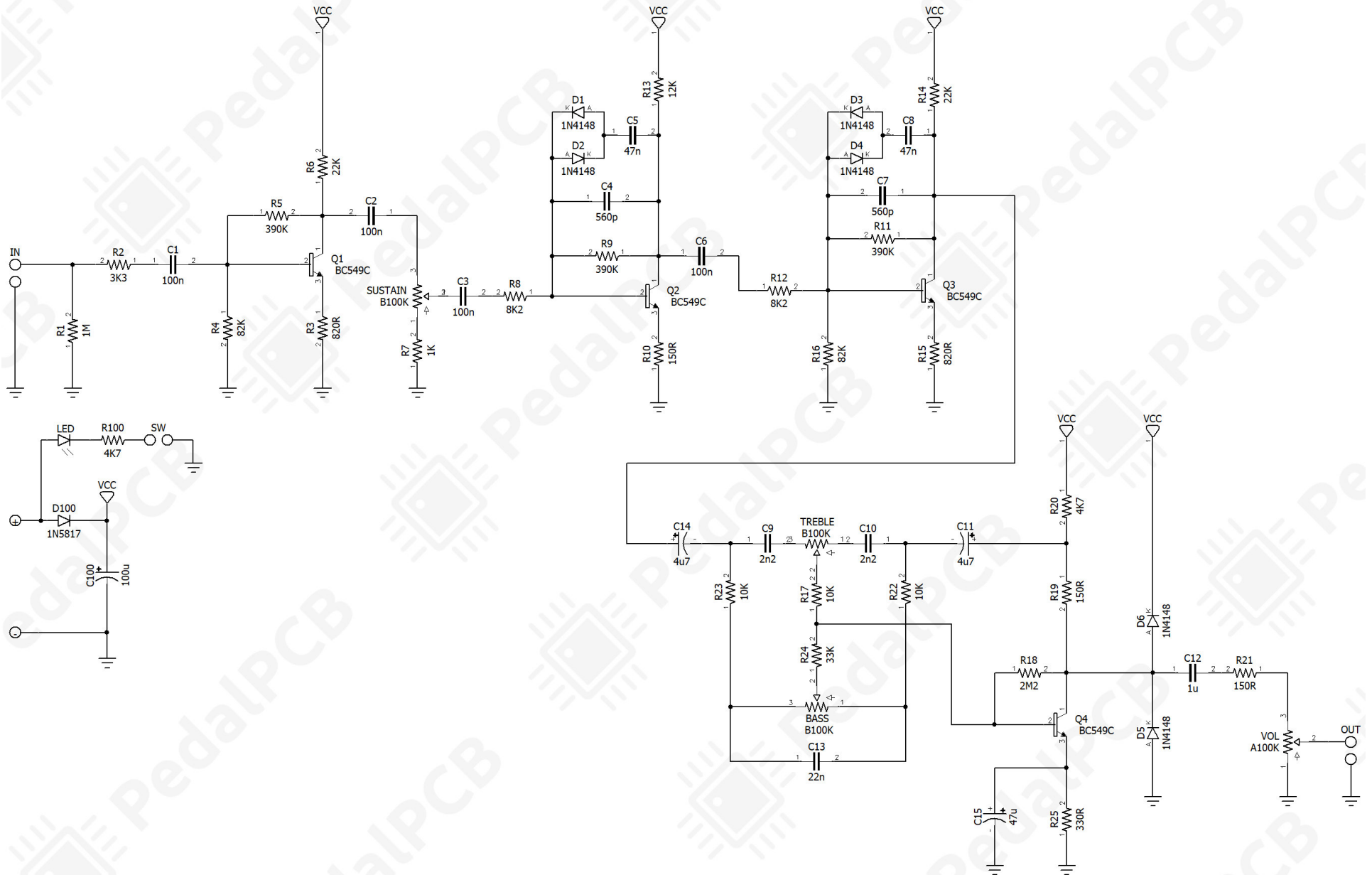
CONTROLS AND FEATURES

- Volume
- Sustain
- Treble
- Bass

All trademarks and registered trademarks are the property of their respective owners. The company, product, and service names used in this web site are for identification purposes only. Use of these names, logos, and brands does not imply endorsement.

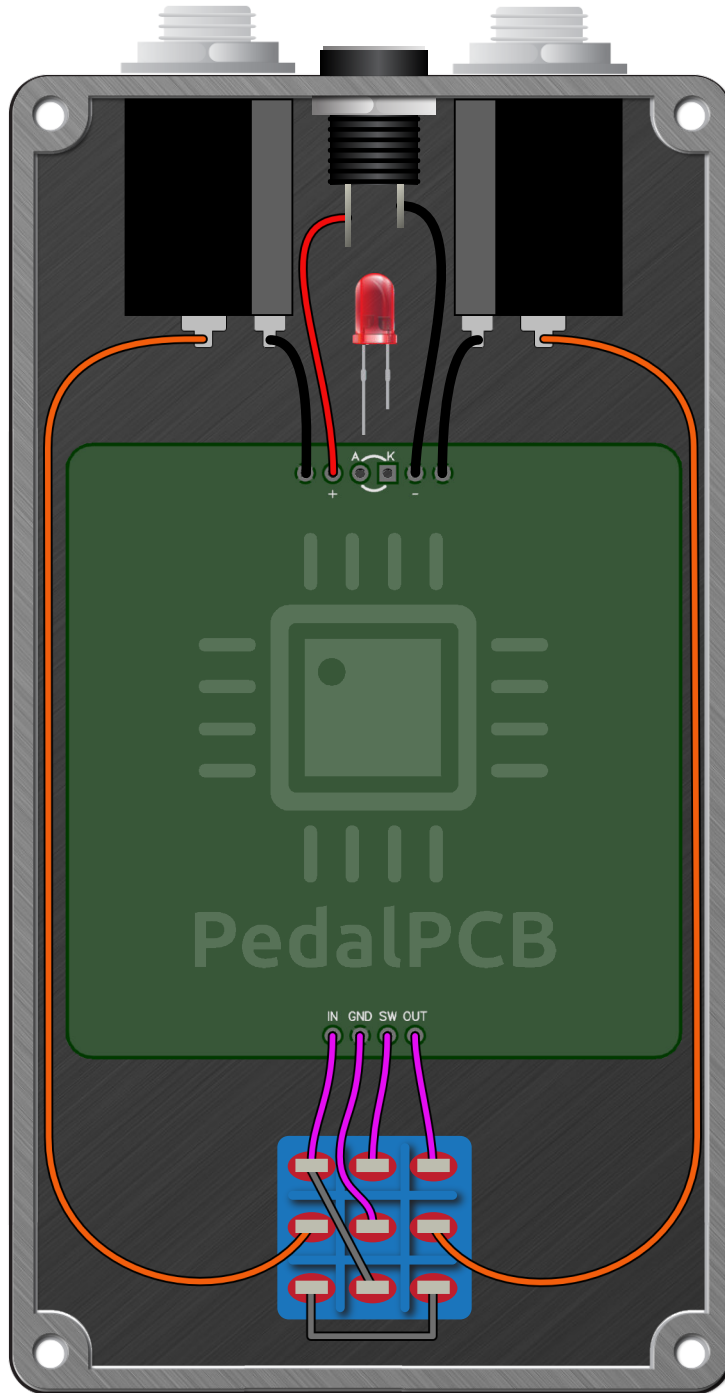
Pyrocumulus Fuzz

Schematic Diagram



Pyrocumulus Fuzz

Wiring Diagram



Pyrocumulus Fuzz

Drill Template
125B Enclosure

