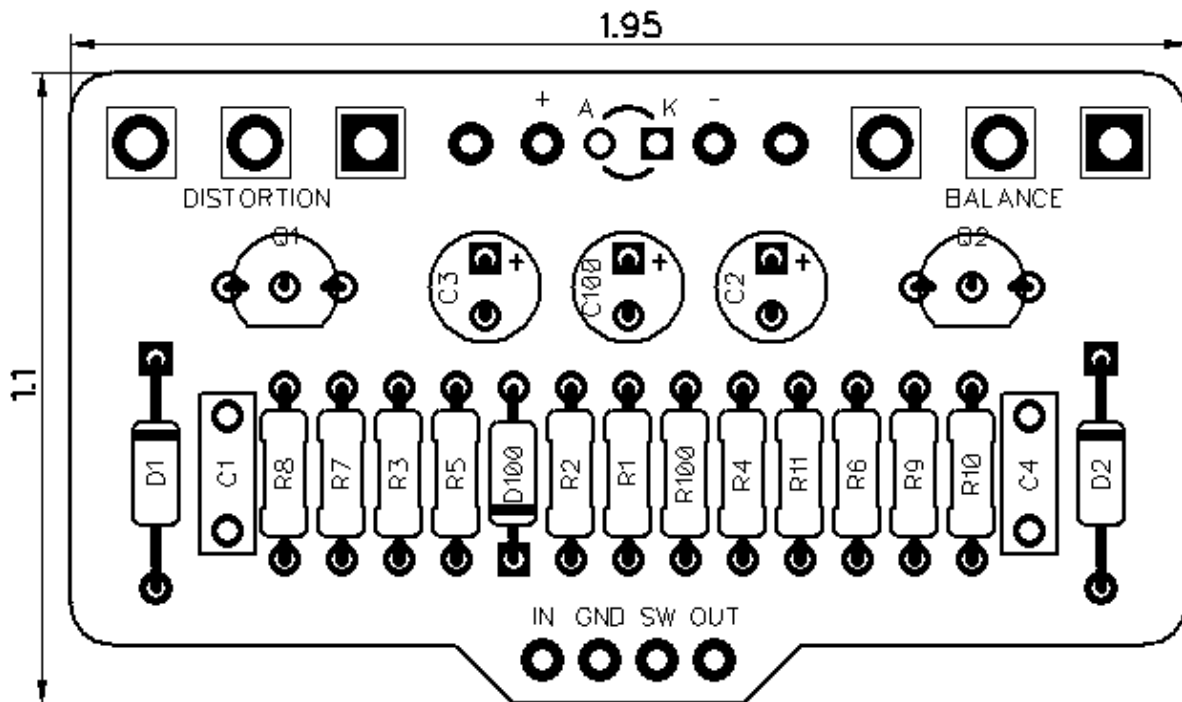




# PedalPCB

## Pulse Wave Fuzz

Revision 12.28.19



### Controls

- Distortion
- Balance

All trademarks and registered trademarks are the property of their respective owners. The company, product, and service names used in this web site are for identification purposes only. Use of these names, logos, and brands does not imply endorsement.

# Pulse Wave Fuzz

## Parts List

**RESISTORS (1/4W)**

R1	470K
R2	100K
R3	100K
R4	270K
R5	560K
R6	10K
R7	2M
R8	680R
R9	3K9
R10	560K
R11	27K
R100	4K7

**CAPACITORS**

C1	100n
C2	33u
C3	4u7
C4	1n
C100	47u

**TRANSISTORS**

Q1	2N5088
Q2	2N5458

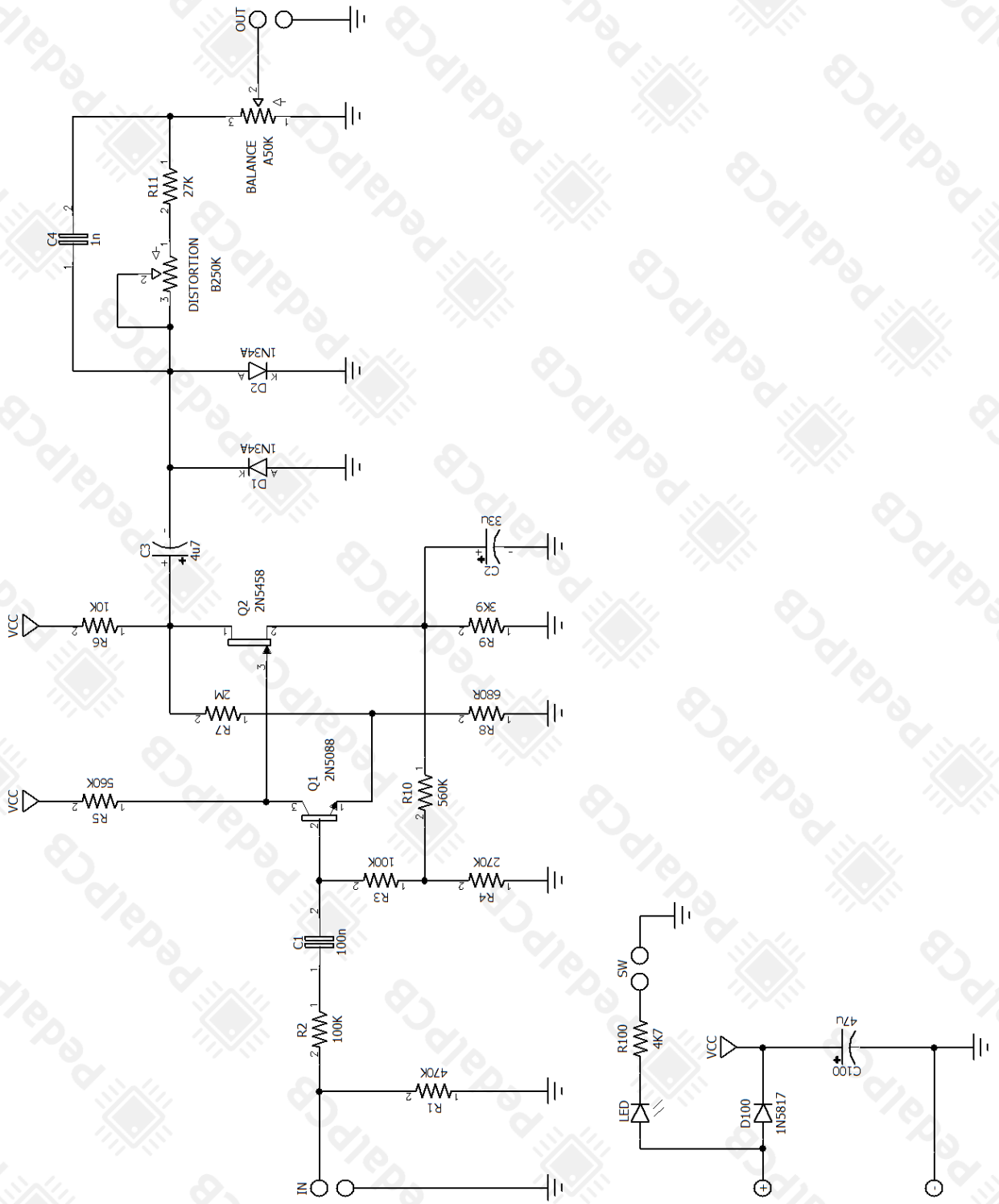
**DIODES**

D1	1N34A
D2	1N34A
D100	1N5817

**POTENTIOMETERS**

DISTORTION	B250K
BALANCE	A50K

# Pulse Wave Fuzz



# Pulse Wave Fuzz

Wiring Diagram



# Pulse Wave Fuzz

Drill Template  
125B Enclosure

