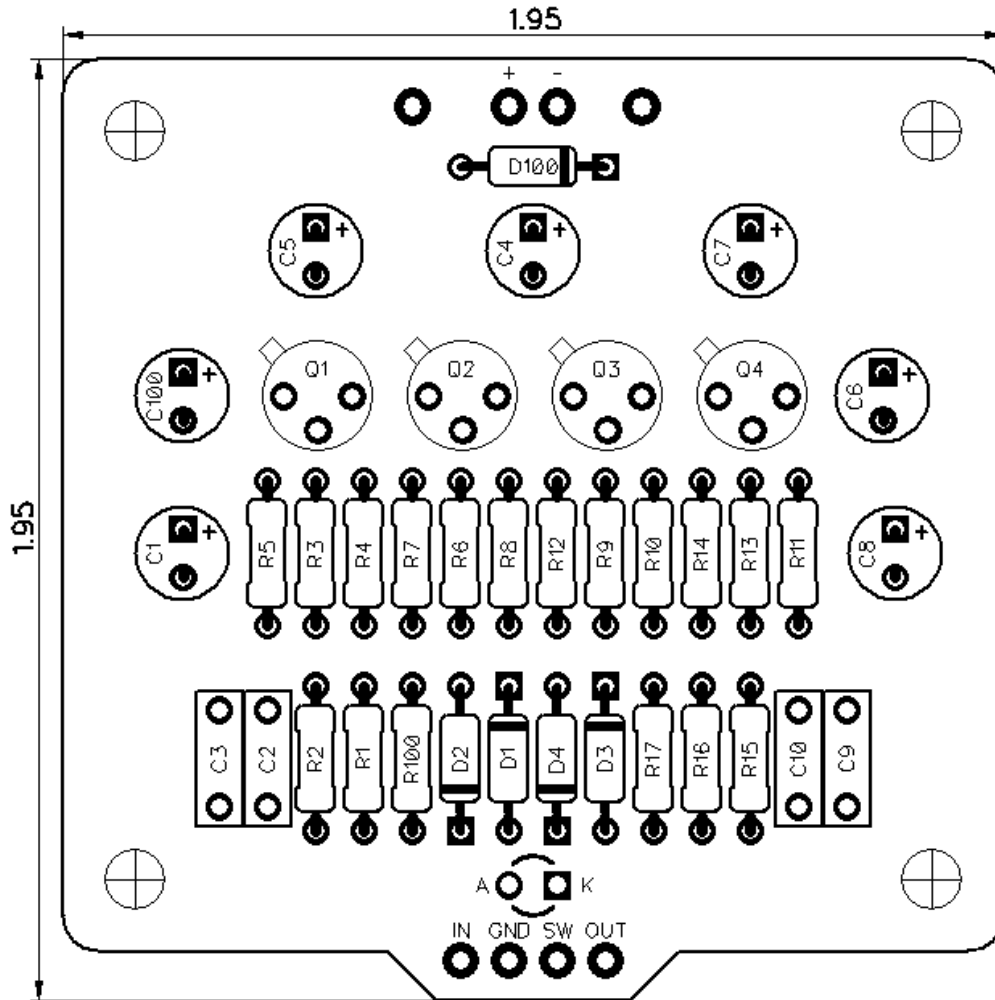




PedalPCB

Propolis Fuzz

Revision 11.08.19



Controls

- None!

RESISTORS (1/4W)

R1 1M
R2 22K
R3 10K
R4 100K
R5 1K8
R6 47K
R7 10K
R8 10K
R9 10K
R10 100K
R11 10K
R12 1K8
R13 100K
R14 10K
R15 100K
R16 42K
R17 330K
R100 4K7

CAPACITORS

C1 10u
C2 2n2
C3 100n
C4 1u
C5 1u
C6 10u
C7 10u
C8 2u2
C9 1n
C10 22n
C100 100u

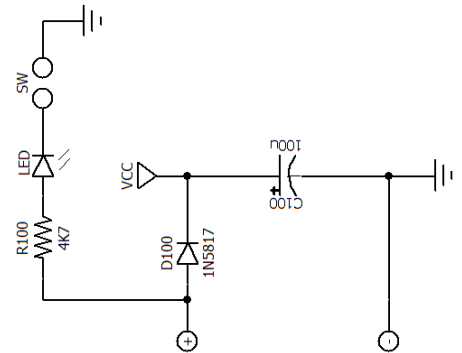
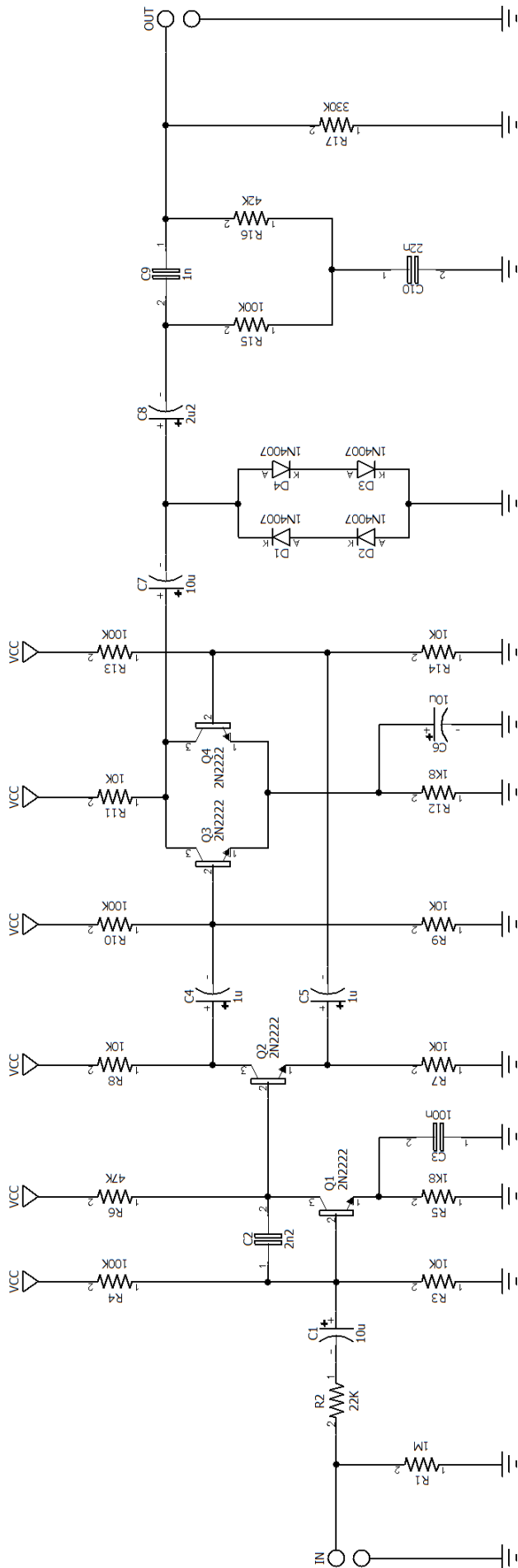
TRANSISTORS

Q1 2N2222
Q2 2N2222
Q3 2N2222
Q4 2N2222

DIODES

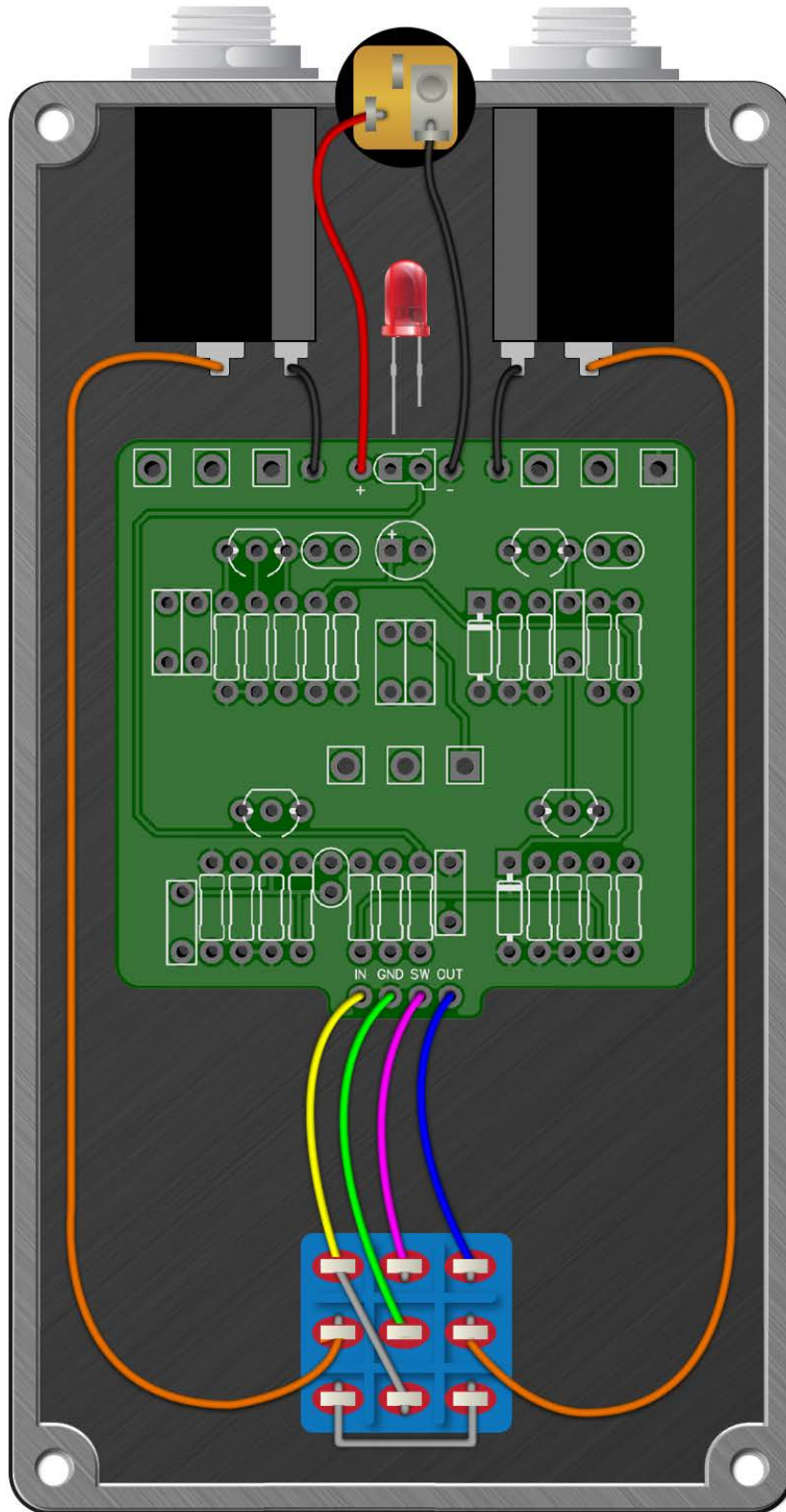
D1 1N4007
D2 1N4007
D3 1N4007
D4 1N4007
D100 1N5817

Propolis Fuzz



Propolis Fuzz

Wiring Diagram



Propolis Fuzz

Drill Template
125B Enclosure

