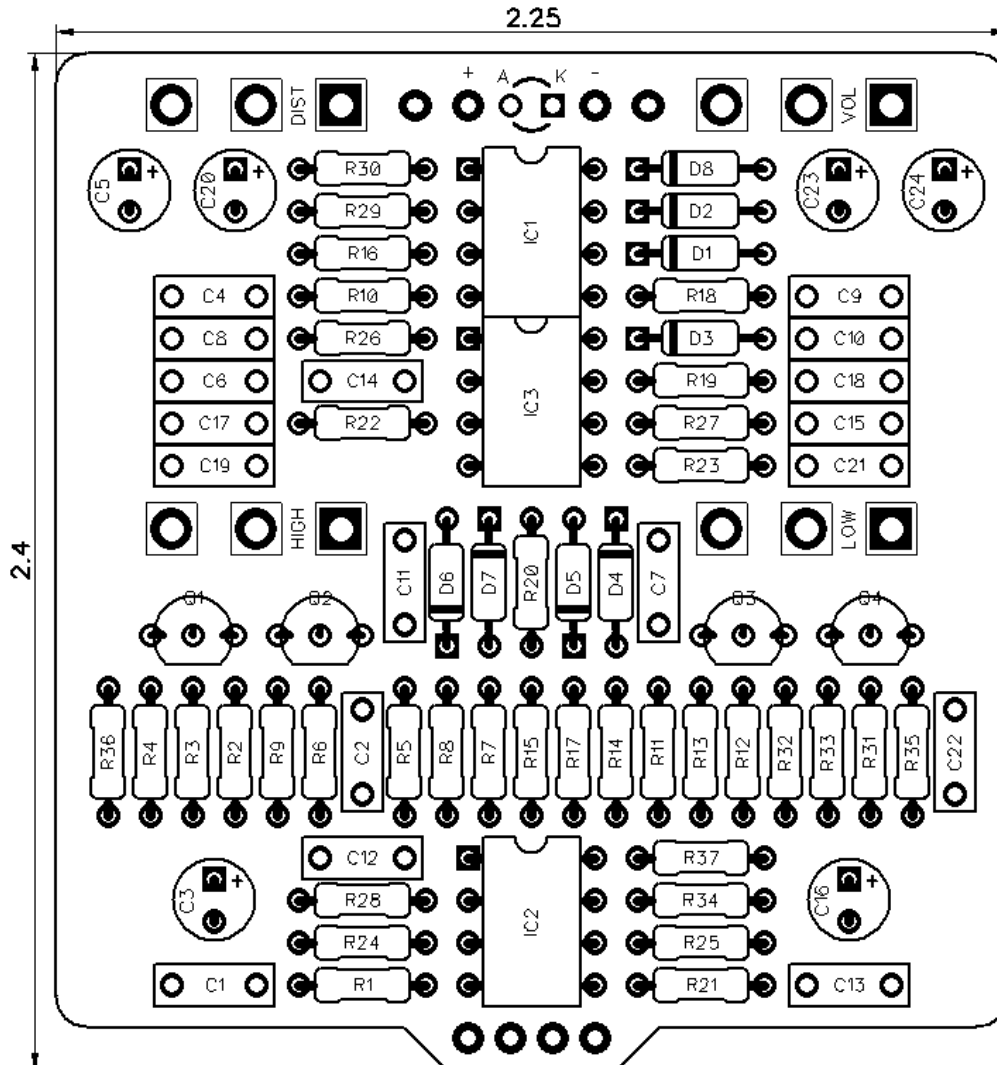




PedalPCB

Promethium Distortion

Revision 08.15.19



Controls

- Volume
- Distortion
- Low
- High

All trademarks and registered trademarks are the property of their respective owners. The company, product, and service names used in this web site are for identification purposes only. Use of these names, logos, and brands does not imply endorsement.

RESISTORS (1/4W)

R1 10K
R2 1M
R3 10K
R4 1K
R5 22K
R6 100K
R7 470K
R8 10K
R9 22R
R10 150R
R11 22K
R12 100K
R13 470K
R14 120R
R15 10K
R16 47K
R17 68K
R18 220K
R19 10K
R20 10K
R21 100K
R22 100K
R23 82K
R24 68K
R25 330R
R26 330R
R27 330R
R28 3K3
R29 3K3
R30 10K
R31 470K
R32 10K
R33 1K
R34 100K
R35 10K
R36 10K
R37 4K7

CAPACITORS

C1 47n
C2 47n
C3 47u
C4 100p
C5 10u
C6 47n
C7 100p
C8 47n
C9 100p
C10 1u
C11 1n
C12 1u
C13 68n
C14 4n7
C15 6n8
C16 1u5
C17 100n
C18 150n
C19 470p
C20 10u
C21 47n
C22 1u
C23 100u
C24 47u

INTEGRATED CIRCUITS

IC1 TL072
IC2 TL072
IC3 TL072

TRANSISTORS

Q1 2N5457
Q2 2N3904
Q3 2N3906
Q4 2N3904

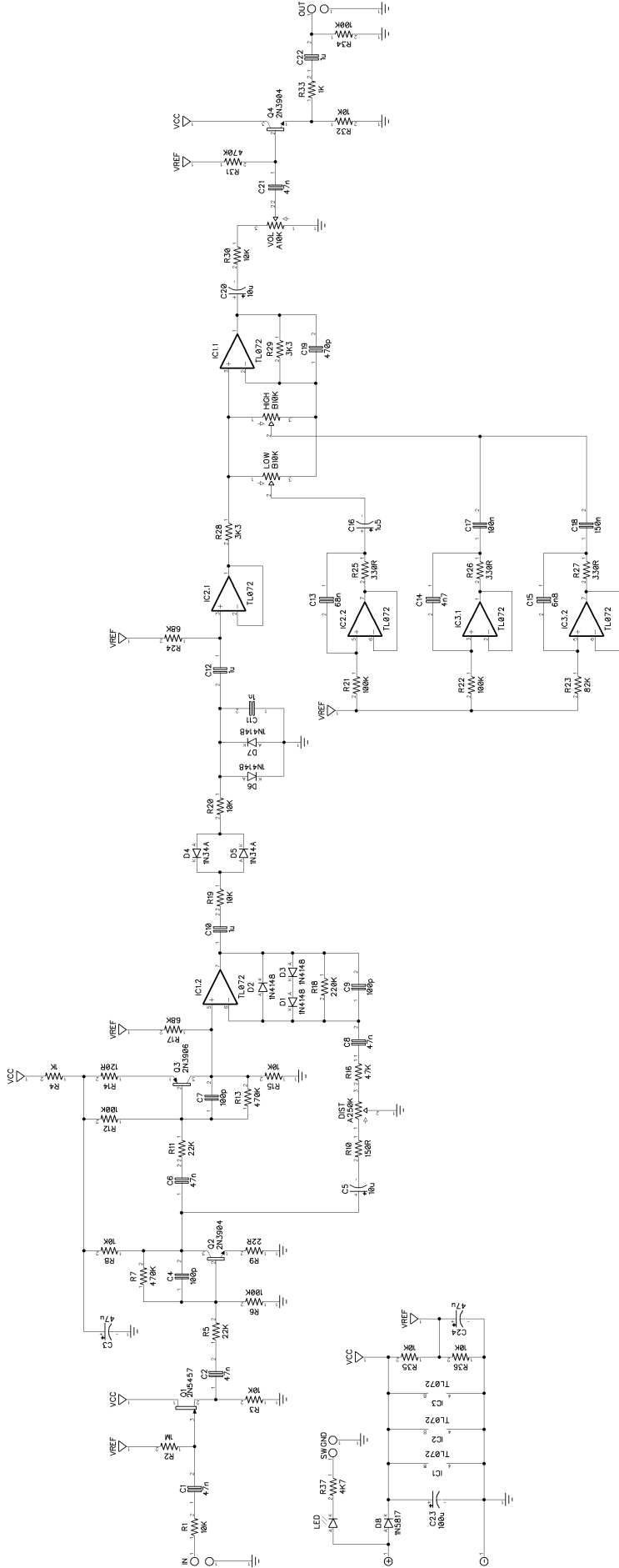
DIODES

D1 1N4148
D2 1N4148
D3 1N4148
D4 1N34A
D5 1N34A
D6 1N4148
D7 1N4148
D8 1N5817

POTENTIOMETERS

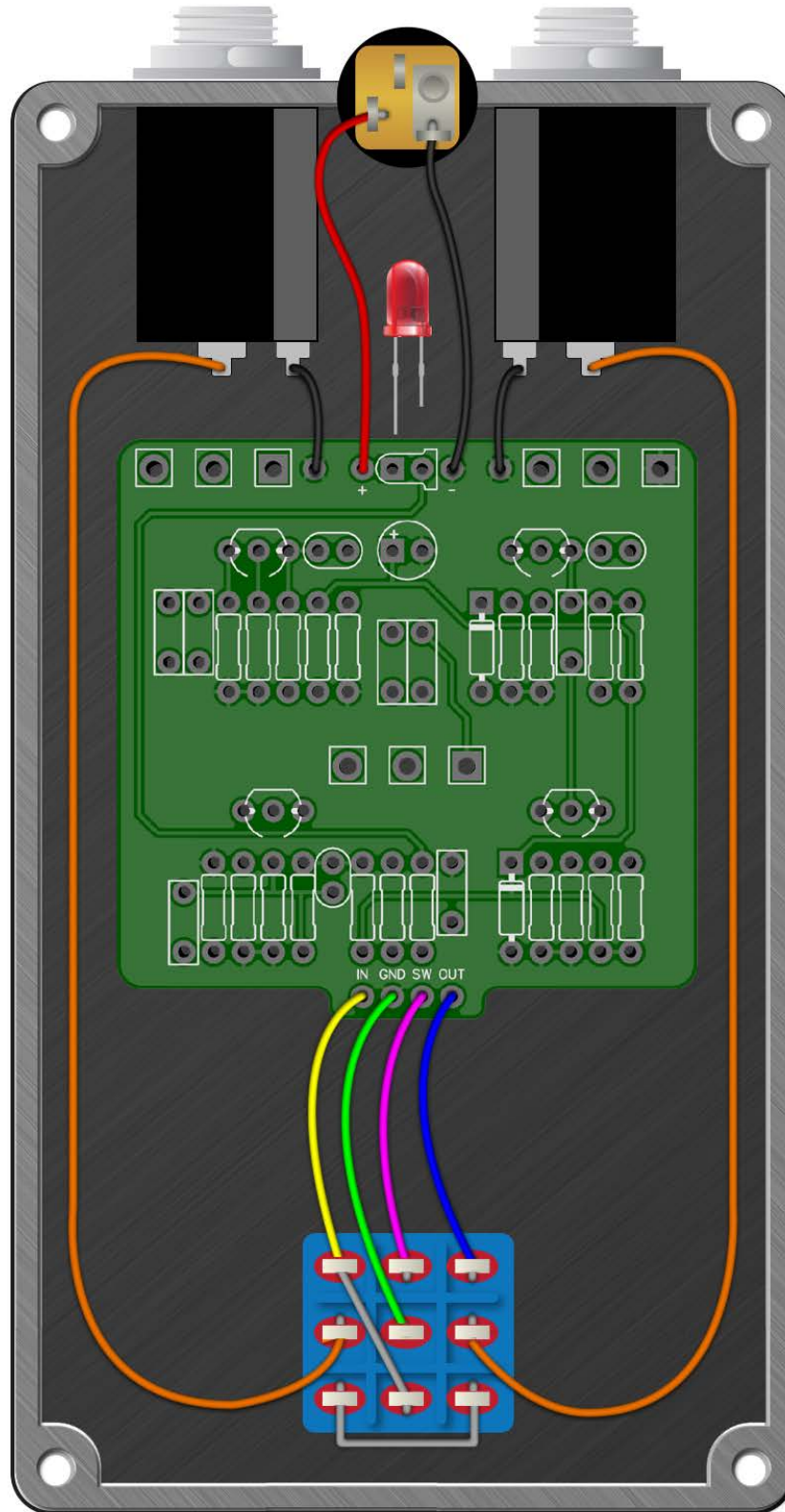
VOL A10K
DIST A250K
HIGH B10K
LOW B10K

Promethium Distortion



Promethium Distortion

Wiring Diagram



Promethium Distortion

Drill Template

125B enclosure with top mounted jacks

