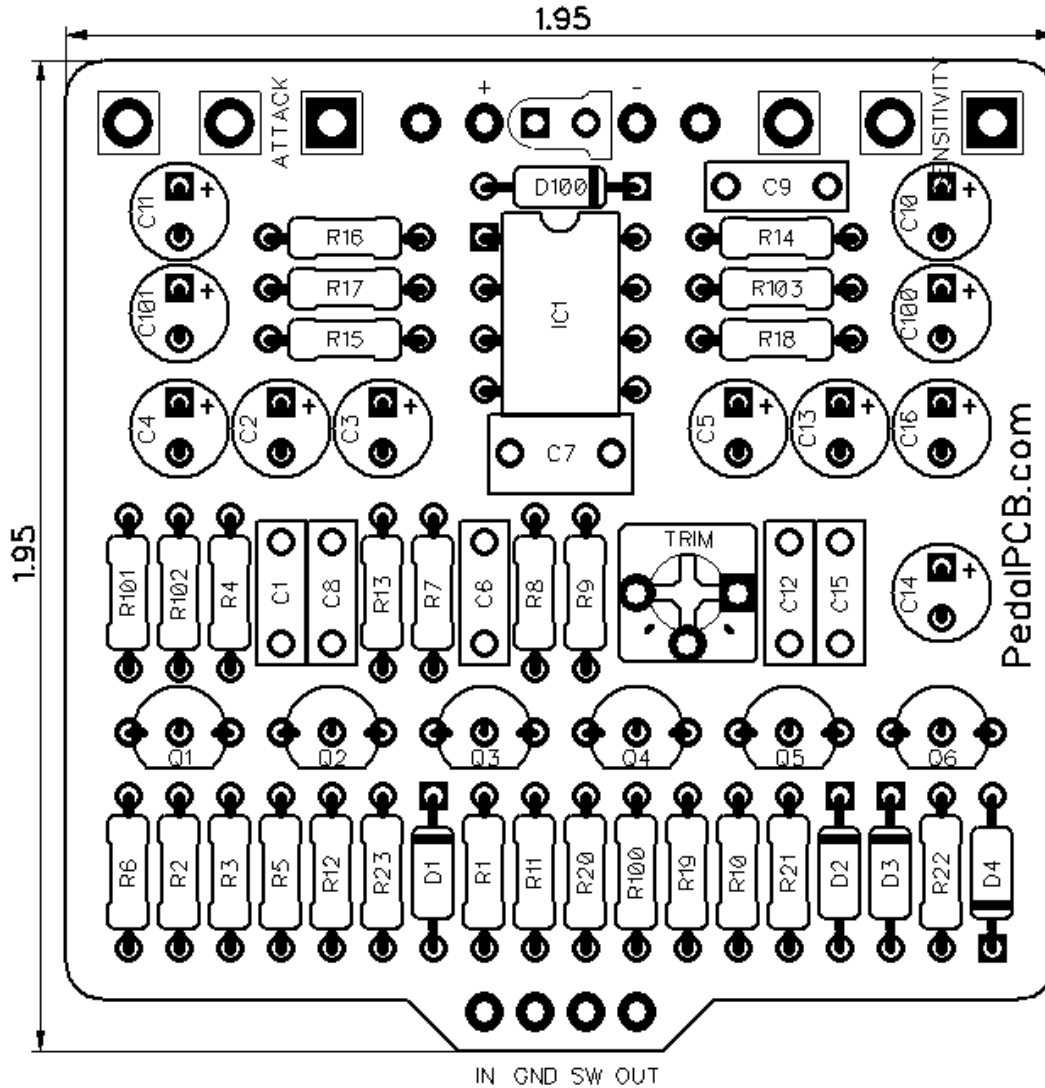




PedalPCB

Procrastinator

Revision 06.27.18



Controls

- **Attack** - Controls the speed of volume swell
- **Sensitivity** - Adjusts the sensitivity to guitar dynamics

All trademarks and registered trademarks are the property of their respective owners. The company, product, and service names used in this web site are for identification purposes only. Use of these names, logos, and brands does not imply endorsement.

Procrastinator

Parts List

RESISTORS

R1	1K
R2	470K
R3	10K
R4	22K
R5	470K
R6	3K3
R7	1M
R8	10K
R9	1K
R10	100K
R11	1M
R12	1M
R13	47K
R14	470
R15	220K
R16	390R
R17	1M
R18	390K
R19	4K7
R20	4K7
R21	100K
R22	100K
R23	10K
R100	4K7
R101	22K
R102	22K
R103	1K

CAPACITORS

C1	47n
C2	1u
C3	47u
C4	1u
C5	1u
C6	33n
C7	470n
C8	22n
C9	22n
C10	10u
C11	1u
C12	1n
C13	1u
C14	1u
C15	47n
C16	10u
C100	33u
C101	10u

TRANSISTORS

Q1	BC549
Q2	2SK30A
Q3	BC549
Q4	BC549
Q5	BC549
Q6	BC549

INTEGRATED CIRCUITS

IC1	TL071
-----	-------

DIODES

D1	5V6
D2	1N914
D3	1N914
D4	1N914
D100	1N5817

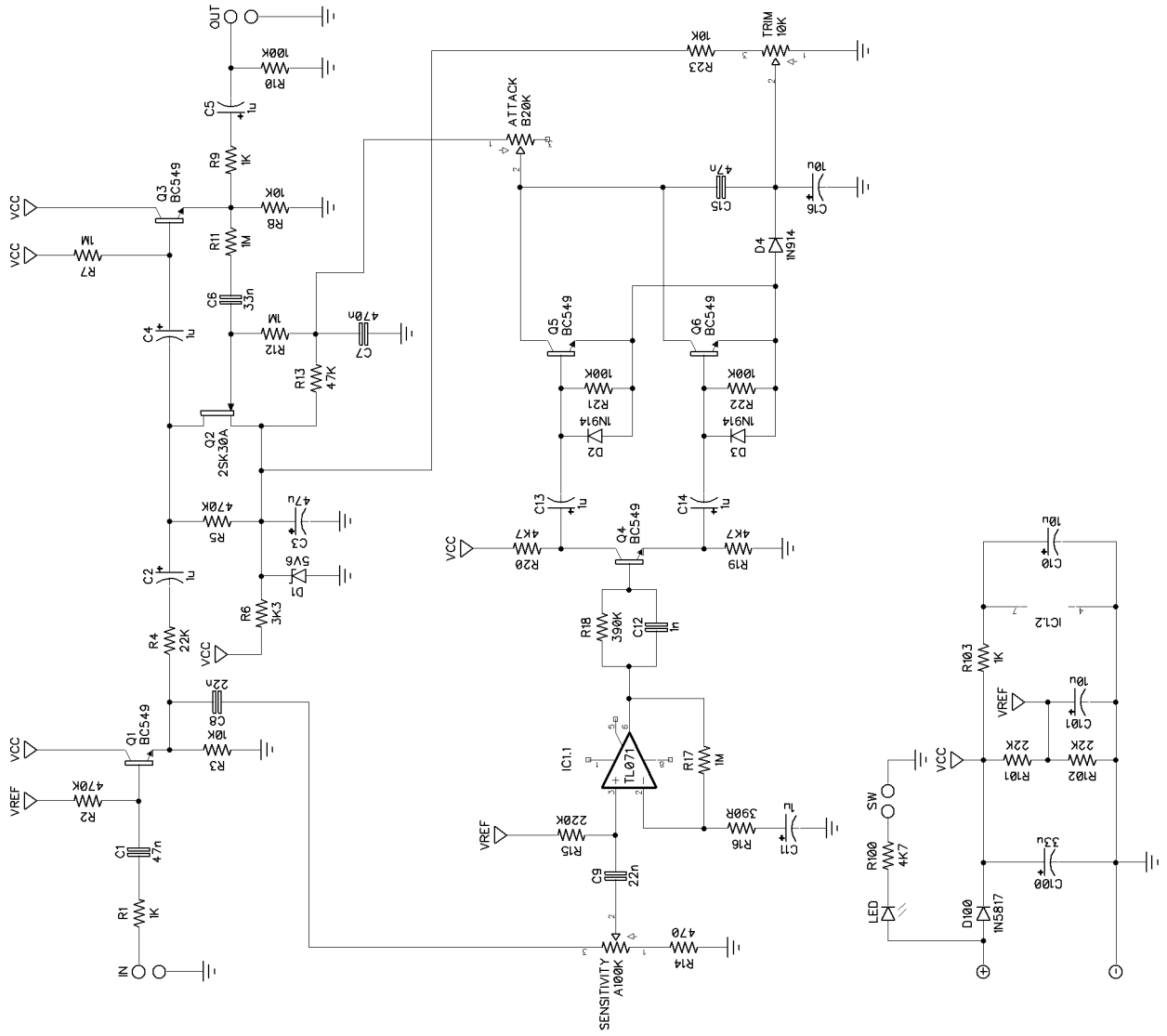
POTENTIOMETERS

ATTACK	B20K
SENSITIVITY	A100K

TRIM POTS (3362P)

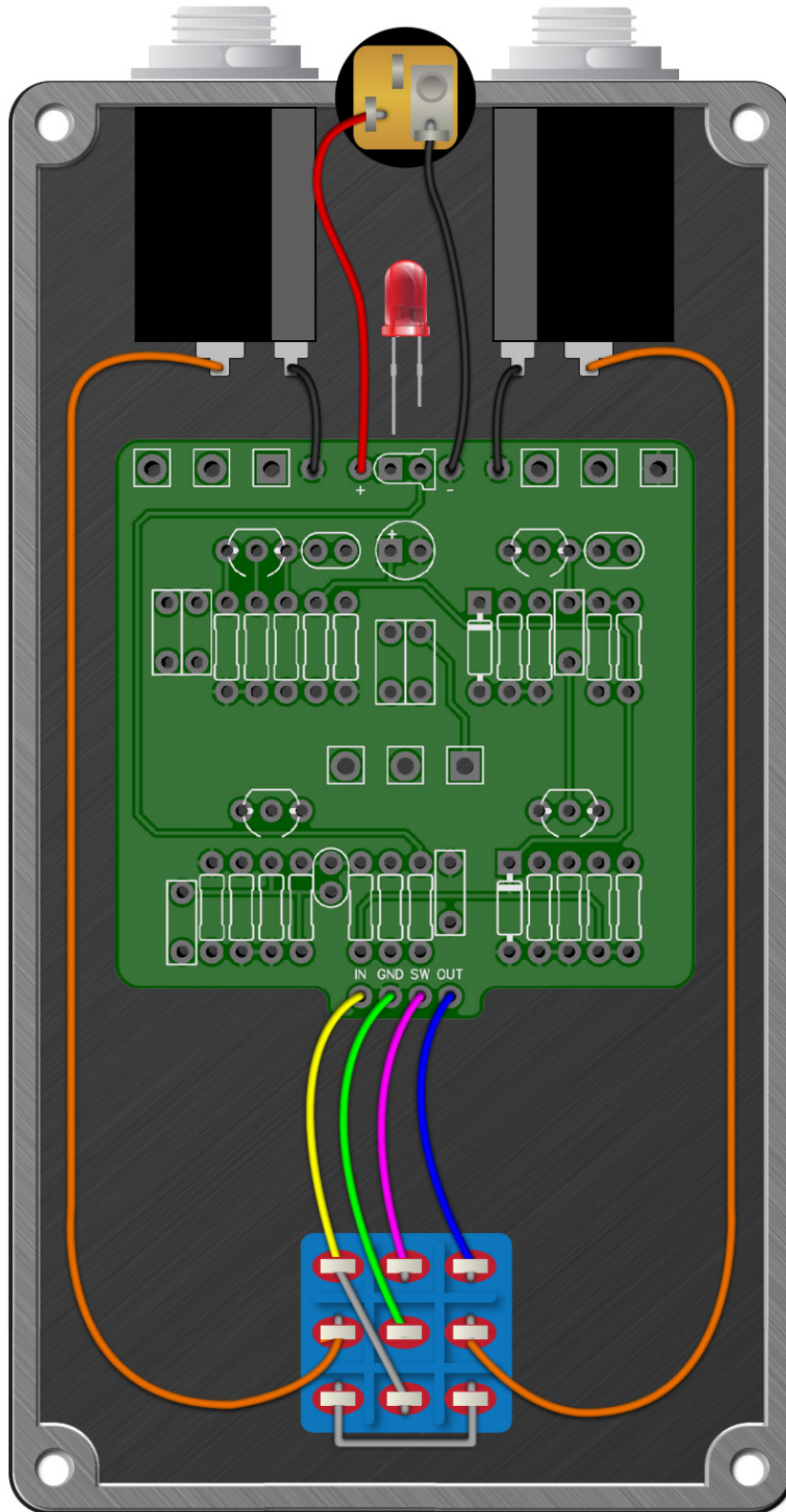
TRIM	10K
------	-----

Procrastinator



Procrastinator

Wiring Diagram



Procrastinator

Drill Template
125B enclosure with top mounted jacks

