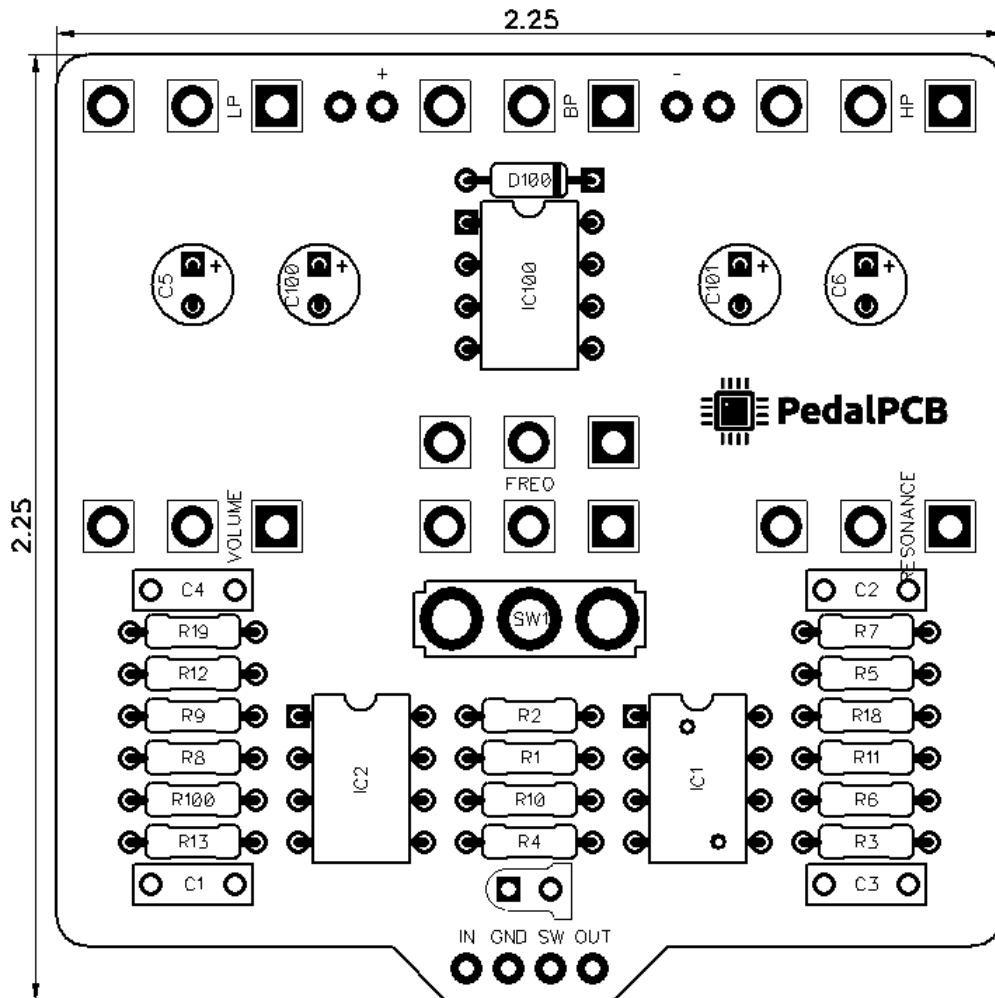




PedalPCB

Pro-Filter

Revision 08.12.18



Controls

- **Frequency** - Sets the state-variable filter cutoff frequency
- **Resonance** - Adjusts the filter resonance
- **High Pass** - Controls the output level of the High Pass filter
- **Band Pass** - Controls the output level of the Band Pass filter
- **Low Pass** - Controls the output level of the Low Pass filter
- **Volume** - Sets the overall output volume
- **Resonance (toggle switch)** - Toggles between High and Low Resonance modes

All trademarks and registered trademarks are the property of their respective owners. The company, product, and service names used in this web site are for identification purposes only. Use of these names, logos, and brands does not imply endorsement.

RESISTORS

R1 100K
R2 100K
R3 100K
R4 12K
R5 33
R6 1K
R7 33
R8 1K
R9 100K
R10 33K
R11 10K
R12 10K
R13 1M
R18 10K
R19 10K
R100 4K7

CAPACITORS

C1 220n
C2 68p
C3 10n
C4 10n
C5 47u
C6 47u
C100 10u
C101 47u

SWITCHES

SW1 SPDT Toggle (On/On)

INTEGRATED CIRCUITS

IC1 TL072
IC2 TL072
IC100 TC1044SCPA

DIODES

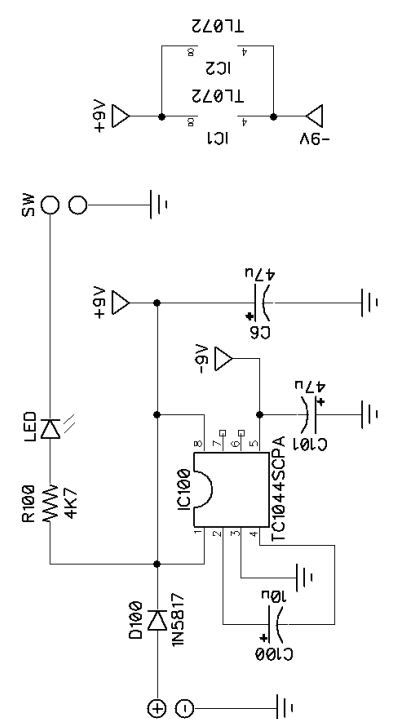
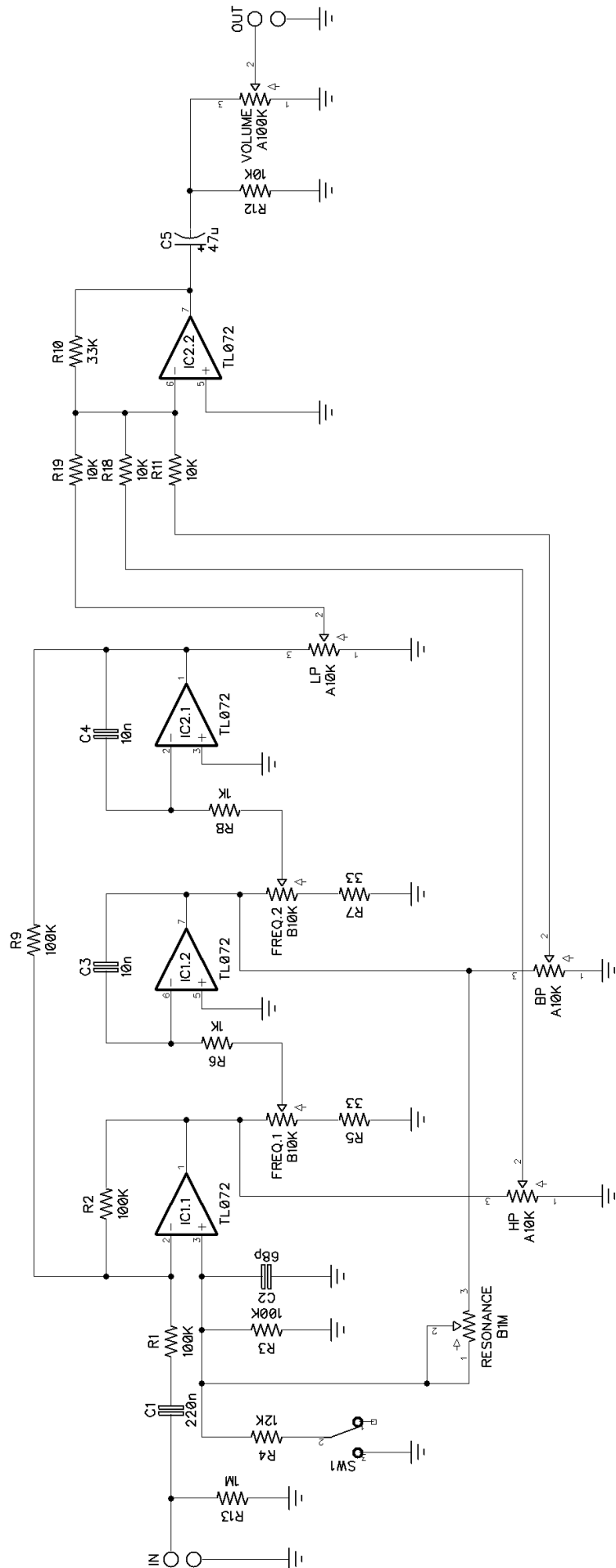
D100 1N5817

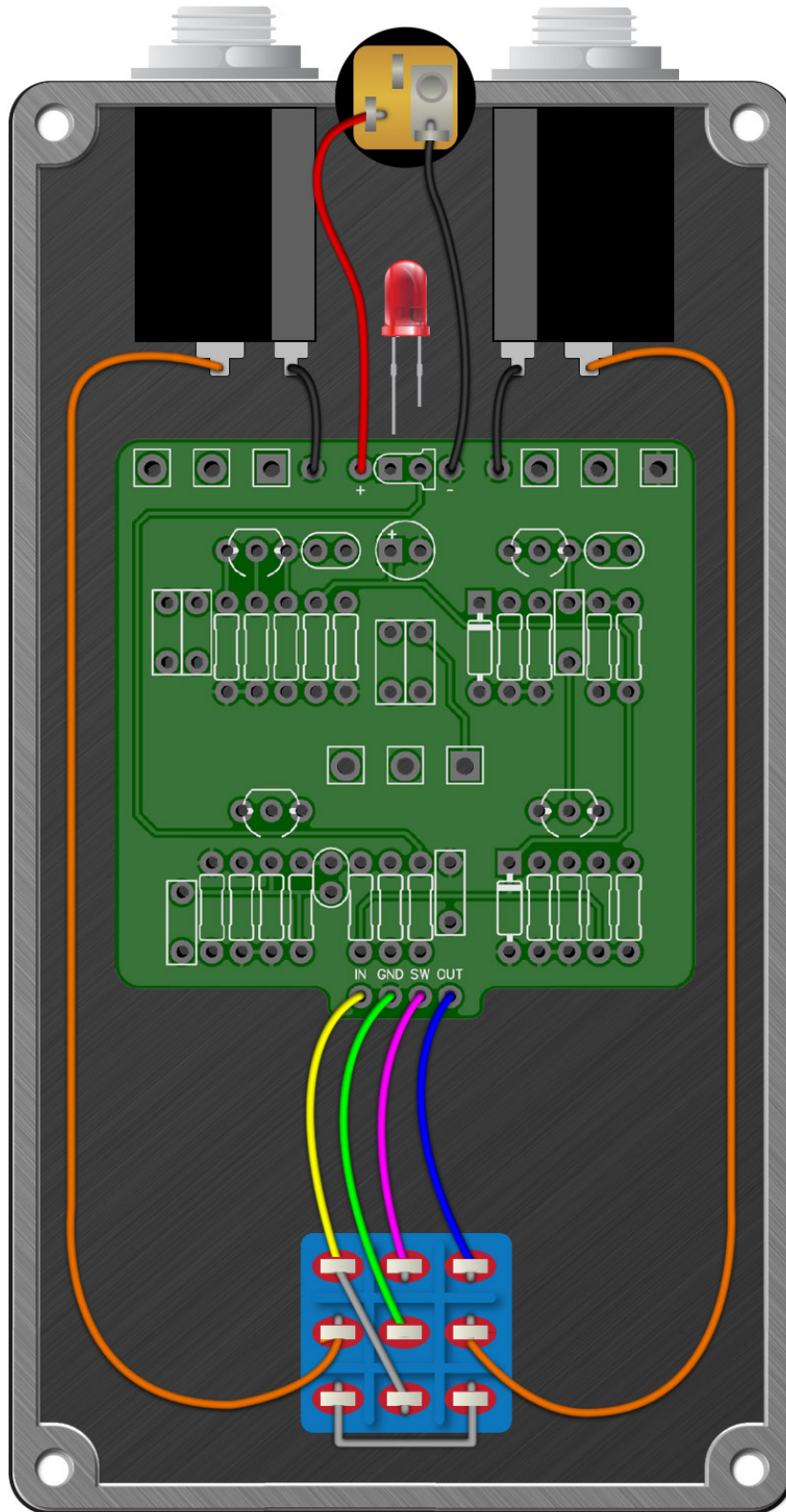
POTENTIOMETERS

VOLUME A100K
RESONANCE B1M
FREQ Dual B10K
HP A10K
BP A10K
LP A10K



Pro-Filter





Pro-Filter

Drill Template
125B enclosure with top mounted jacks

