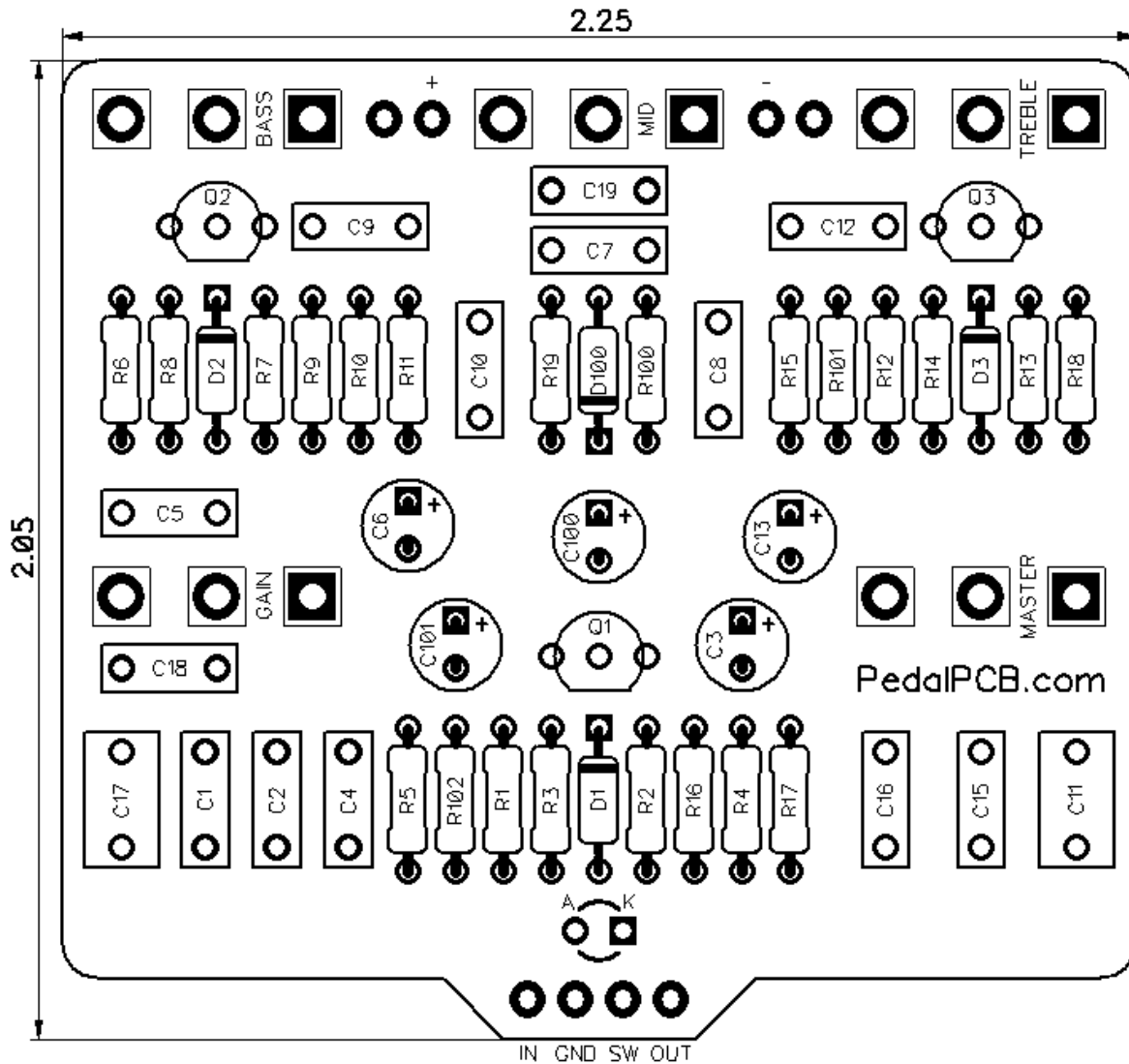


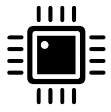
Prince Albert Overdrive

Revised 8/19/20



CONTROLS AND FEATURES

- Treble
- Mid
- Bass
- Master
- Gain



LOCATION	VALUE	TYPE	NOTES
R1	1M	Resistor, 1/4W	
R2	3K3	Resistor, 1/4W	
R3	3K3	Resistor, 1/4W	
R4	1K	Resistor, 1/4W	
R5	22K	Resistor, 1/4W	
R6	1M	Resistor, 1/4W	
R7	3K3	Resistor, 1/4W	
R8	3K3	Resistor, 1/4W	
R9	100K	Resistor, 1/4W	
R10	100K	Resistor, 1/4W	
R11	220K	Resistor, 1/4W	
R12	1M	Resistor, 1/4W	
R13	3K3	Resistor, 1/4W	
R14	3K3	Resistor, 1/4W	
R15	130R	Resistor, 1/4W	
R16	10K	Resistor, 1/4W	
R17	10K	Resistor, 1/4W	
R18	220K	Resistor, 1/4W	
R19	22K	Resistor, 1/4W	
R100	4K7	Resistor, 1/4W	
R101	62K	Resistor, 1/4W	
R102	100K	Resistor, 1/4W	
C1	270p	Ceramic capacitor	
C2	100n	Film capacitor, 7.2 x 2.5mm	
C3	22u	Electrolytic capacitor, 5mm	
C4	100n	Film capacitor, 7.2 x 2.5mm	
C5	47n	Film capacitor, 7.2 x 2.5mm	
C6	10u	Electrolytic capacitor, 5mm	
C7	1n	Film capacitor, 7.2 x 2.5mm	
C8	4n7	Film capacitor, 7.2 x 2.5mm	
C9	1n	Film capacitor, 7.2 x 2.5mm	
C10	47n	Film capacitor, 7.2 x 2.5mm	
C11	220n	Film capacitor, 7.2 x 5.0mm	
C12	100n	Film capacitor, 7.2 x 2.5mm	
C13	22u	Electrolytic capacitor, 5mm	
C15	2n2	Film capacitor, 7.2 x 2.5mm	
C16	2n2	Film capacitor, 7.2 x 2.5mm	
C17	680n	Film capacitor, 7.2 x 5.0mm	
C18	47p	Ceramic capacitor	
C19	220p	Ceramic capacitor	
C100	100u	Electrolytic capacitor, 5mm	
C101	10u	Electrolytic capacitor, 5mm	
D1	9V1	Zener diode, 9.1V	
D2	9V1	Zener diode, 9.1V	
D3	9V1	Zener diode, 9.1V	
D100	1N5817	Schottky diode, DO-41	

