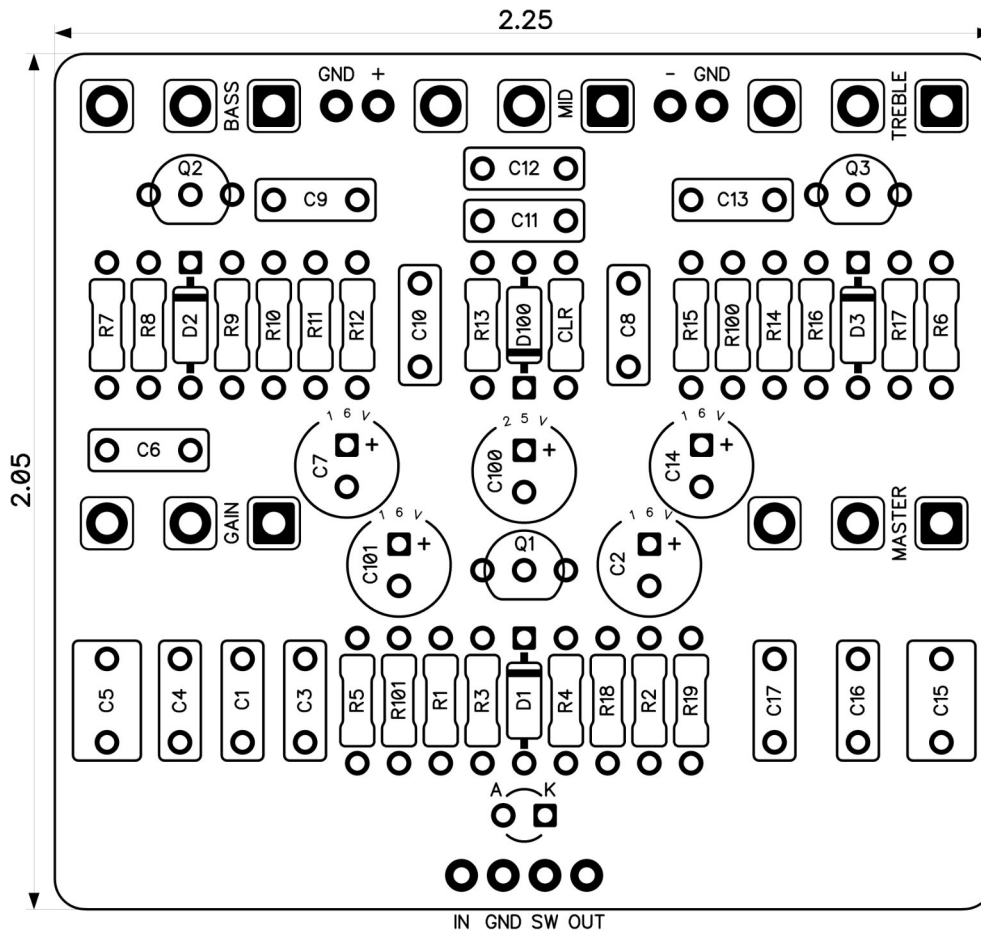




Prince Albert Overdrive

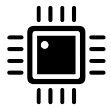
Revised 4/23/23



CONTROLS AND FEATURES

- Treble
- Mid
- Bass
- Master
- Gain

All trademarks and registered trademarks are the property of their respective owners. The company, product, and service names used in this web site are for identification purposes only. Use of these names, logos, and brands does not imply endorsement.



LOCATION	VALUE	TYPE	NOTES
R1	1M	Resistor, 1/4W	
R2	1K	Resistor, 1/4W	
R3	3K3	Resistor, 1/4W	
R4	3K3	Resistor, 1/4W	
R5	22K	Resistor, 1/4W	
R6	220K	Resistor, 1/4W	
R7	1M	Resistor, 1/4W	
R8	3K3	Resistor, 1/4W	
R9	3K3	Resistor, 1/4W	
R10	100K	Resistor, 1/4W	
R11	100K	Resistor, 1/4W	
R12	220K	Resistor, 1/4W	
R13	22K	Resistor, 1/4W	
R14	1M	Resistor, 1/4W	
R15	130R	Resistor, 1/4W	
R16	3K3	Resistor, 1/4W	
R17	3K3	Resistor, 1/4W	
R18	10K	Resistor, 1/4W	
R19	10K	Resistor, 1/4W	
R100	62K	Resistor, 1/4W	
R101	100K	Resistor, 1/4W	
CLR	4K7	Resistor, 1/4W	* LED current limiting resistor
C1	3n3	Film capacitor, 7.2 x 2.5mm	
C2	22u	Electrolytic capacitor, 5mm	
C3	100n	Film capacitor, 7.2 x 2.5mm	
C4	47p	Ceramic capacitor	
C5	680n	Film capacitor, 7.2 x 5.0mm	
C6	47n	Film capacitor, 7.2 x 2.5mm	
C7	10u	Electrolytic capacitor, 5mm	
C8	47n	Film capacitor, 7.2 x 2.5mm	
C9	1n	Film capacitor, 7.2 x 2.5mm	
C10	47n	Film capacitor, 7.2 x 2.5mm	
C11	1n	Film capacitor, 7.2 x 2.5mm	
C12	220p	Ceramic capacitor	
C13	100n	Film capacitor, 7.2 x 2.5mm	
C14	22u	Electrolytic capacitor, 5mm	
C15	220n	Film capacitor, 7.2 x 5.0mm	
C16	2n2	Film capacitor, 7.2 x 2.5mm	
C17	2n2	Film capacitor, 7.2 x 2.5mm	
C100	100u	Electrolytic capacitor, 5mm	
C101	10u	Electrolytic capacitor, 5mm	
D1	9V1	Zener diode 1/2W, 9.1V	
D2	9V1	Zener diode 1/2W, 9.1V	
D3	9V1	Zener diode 1/2W, 9.1V	
D100	1N5817	Schottky diode, DO-41	
			<i>Continued on next page...</i>

Prince Albert Overdrive

Schematic Diagram

