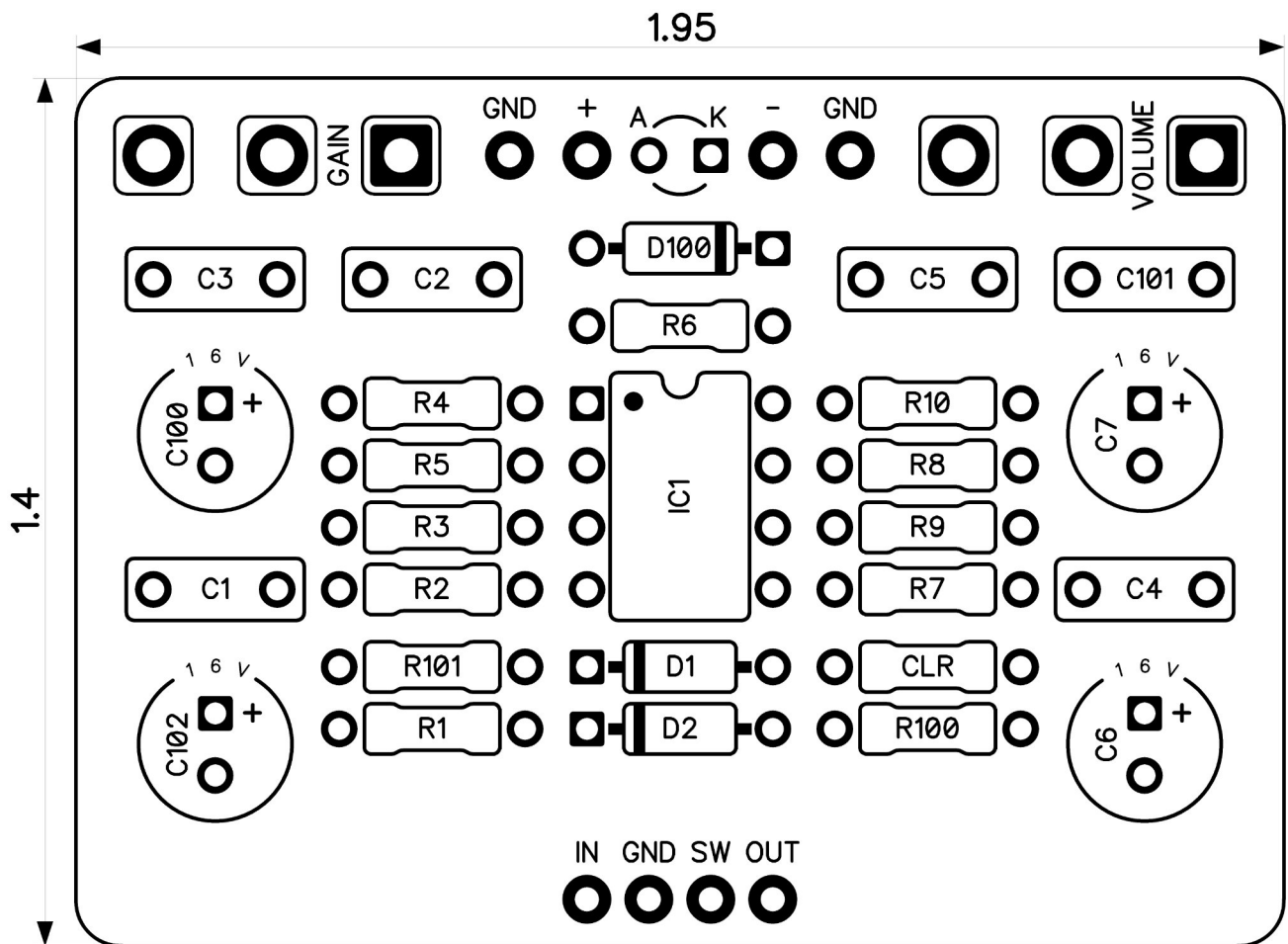


PedalPCB

Precursor Overdrive

Revised 12/14/23



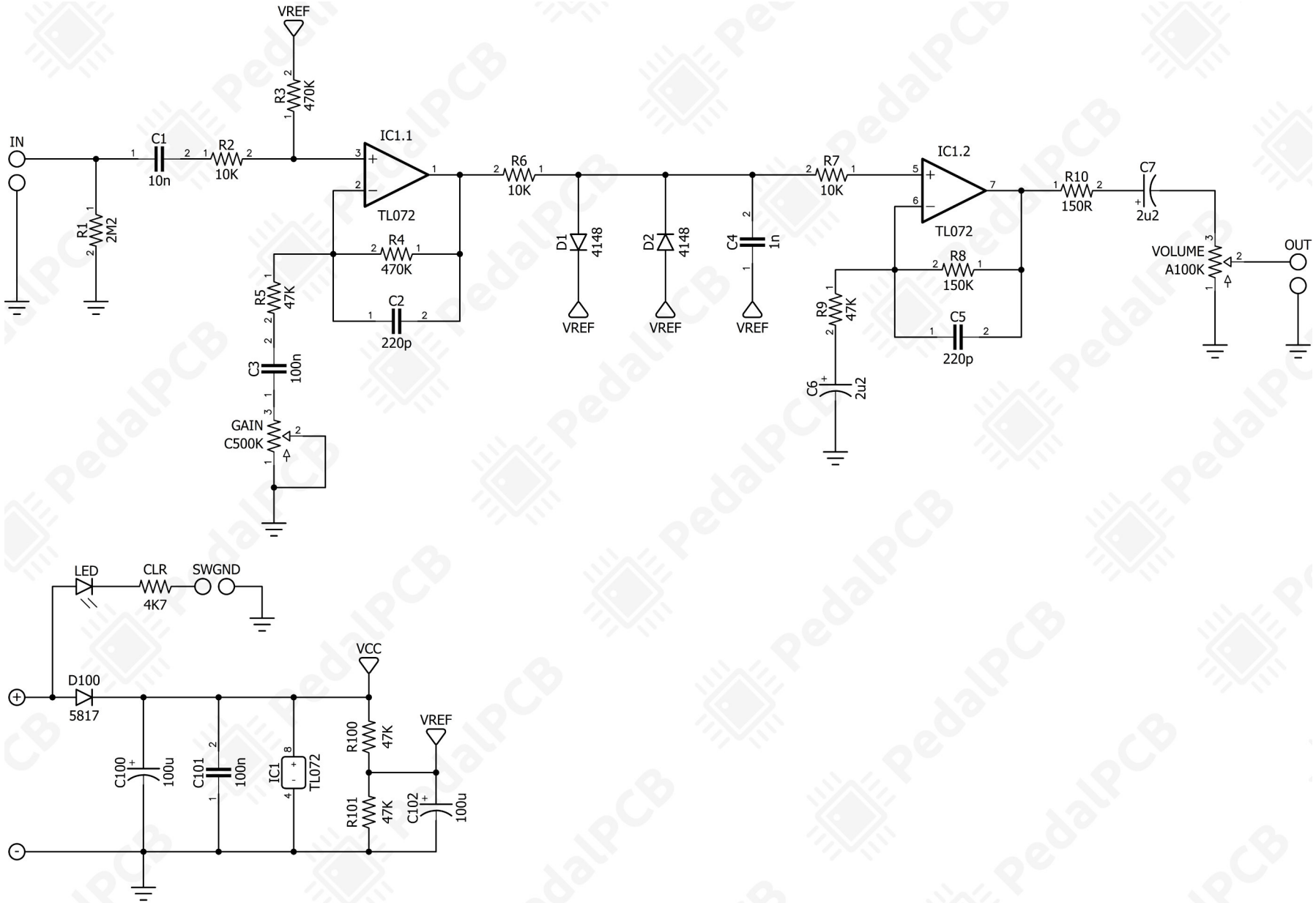
CONTROLS AND FEATURES

- Volume
- Gain

All trademarks and registered trademarks are the property of their respective owners. The company, product, and service names used in this web site are for identification purposes only. Use of these names, logos, and brands does not imply endorsement.

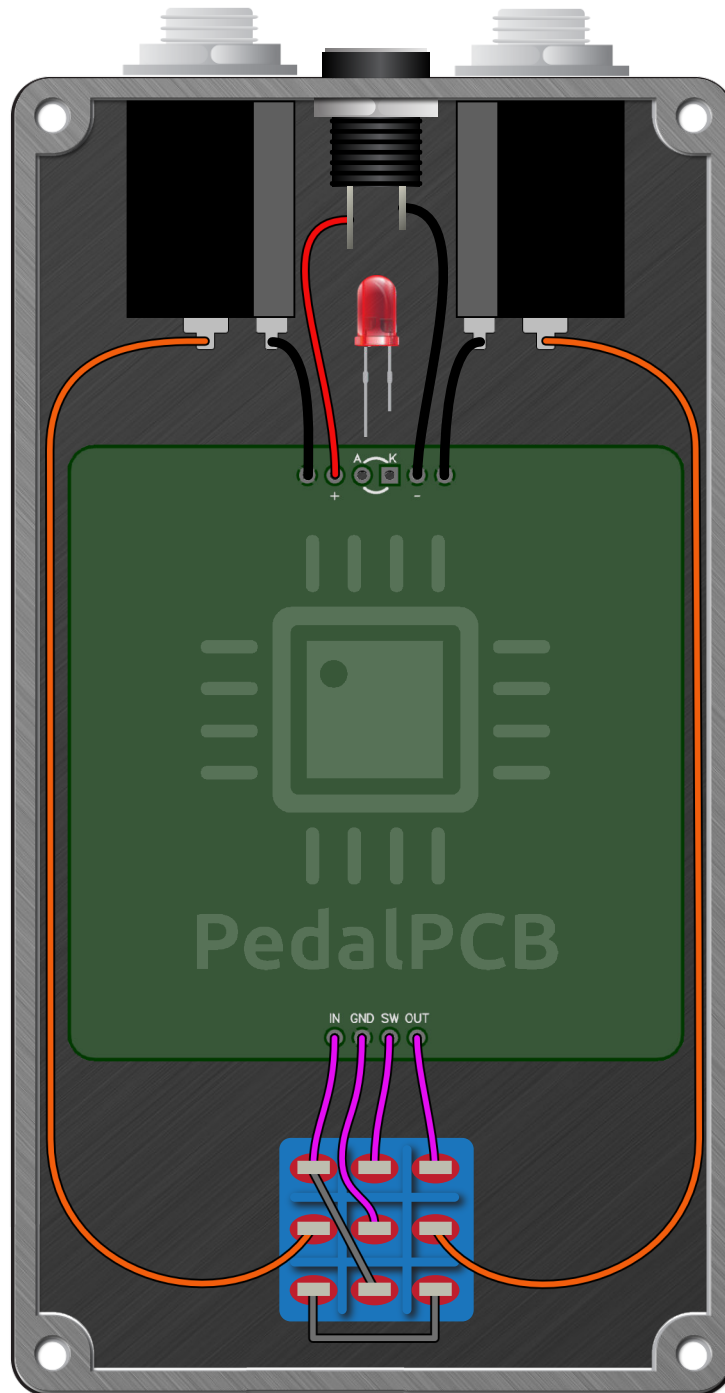
Precursor Overdrive

Schematic Diagram



Precursor Overdrive

Wiring Diagram



Precursor Overdrive

Drill Template
125B Enclosure

