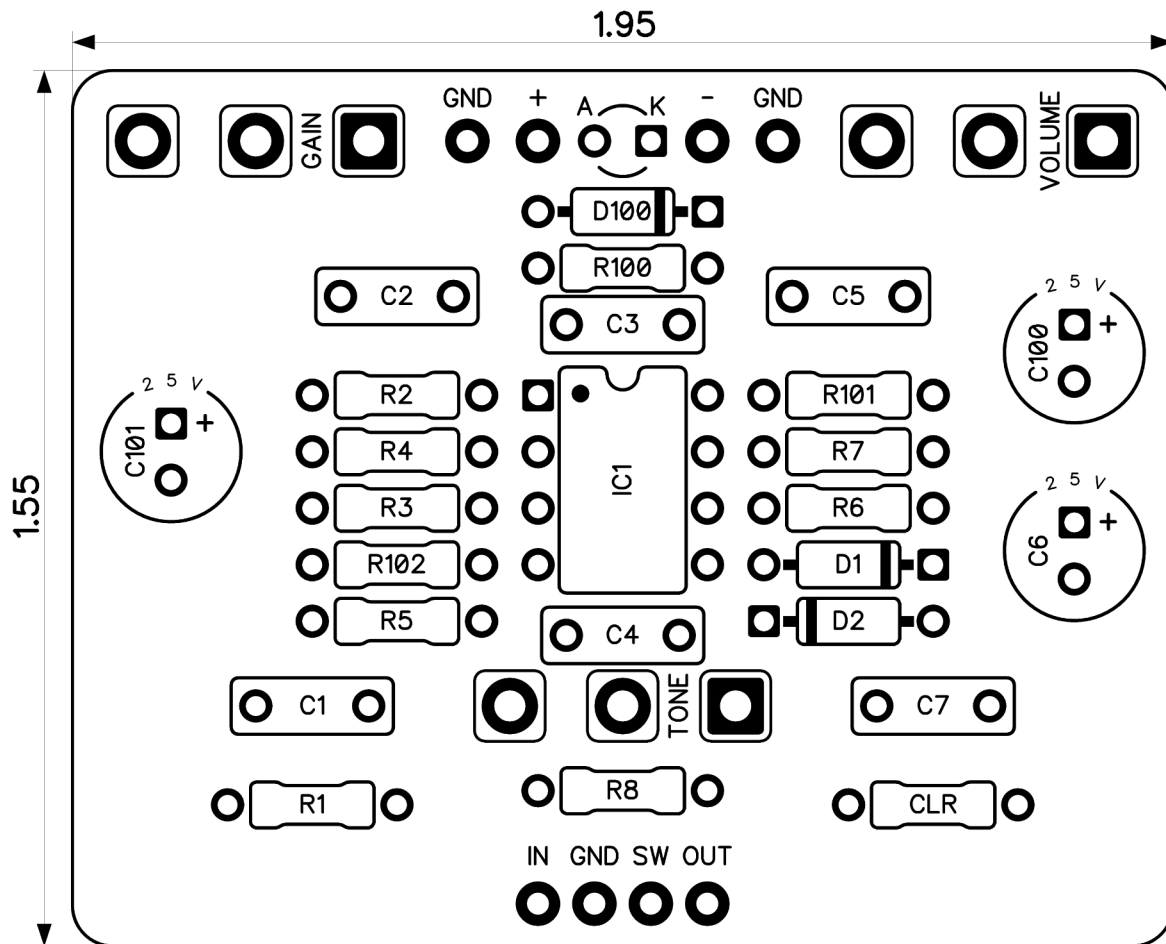


# PedalPCB

## Precipice Overdrive

Revised 8/16/23



### CONTROLS AND FEATURES

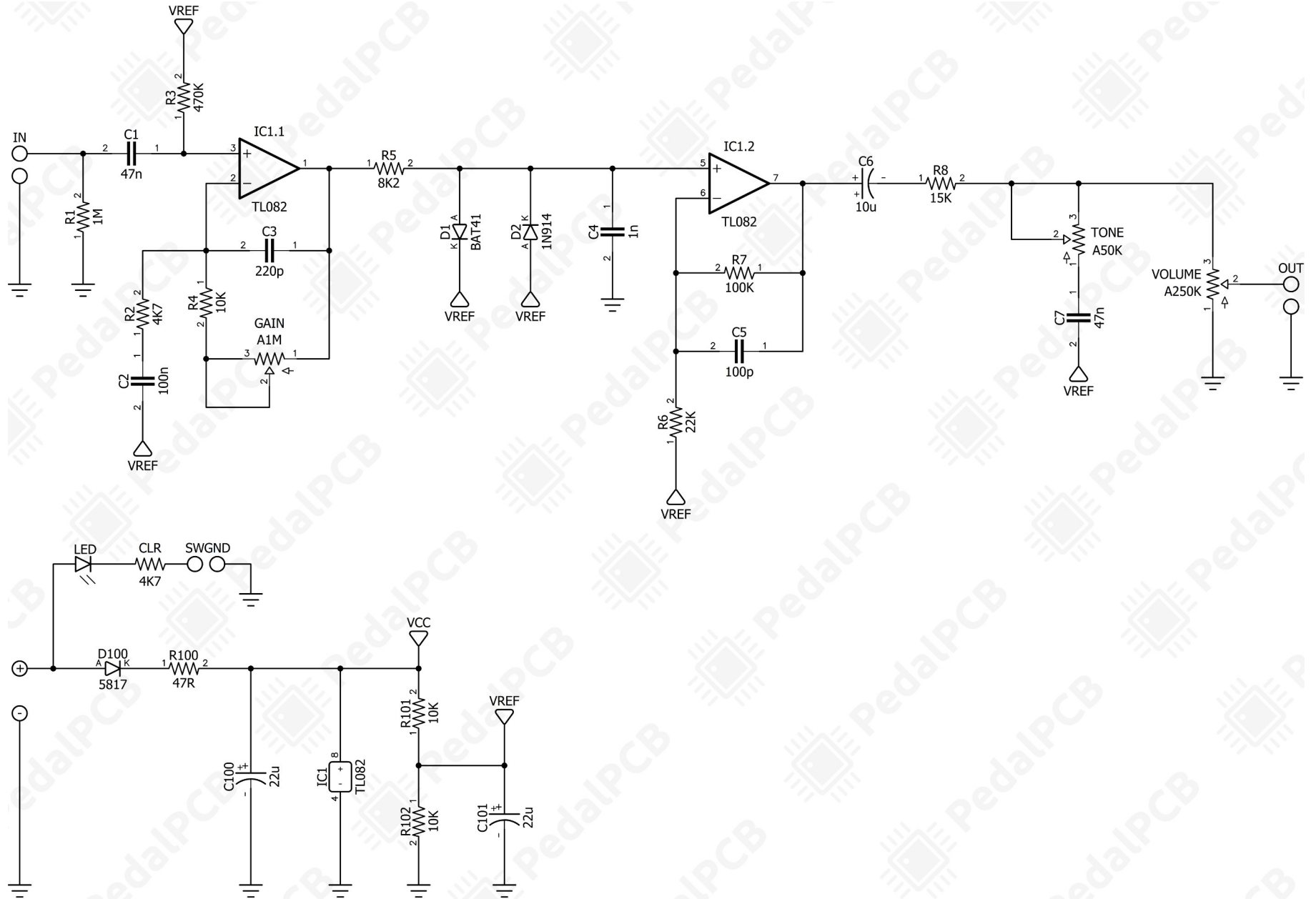
- Volume
- Tone
- Gain

All trademarks and registered trademarks are the property of their respective owners. The company, product, and service names used in this web site are for identification purposes only. Use of these names, logos, and brands does not imply endorsement.



# Precipice Overdrive

Schematic Diagram



# Precipice Overdrive

Wiring Diagram



# Precipice Overdrive

Drill Template  
125B Enclosure

