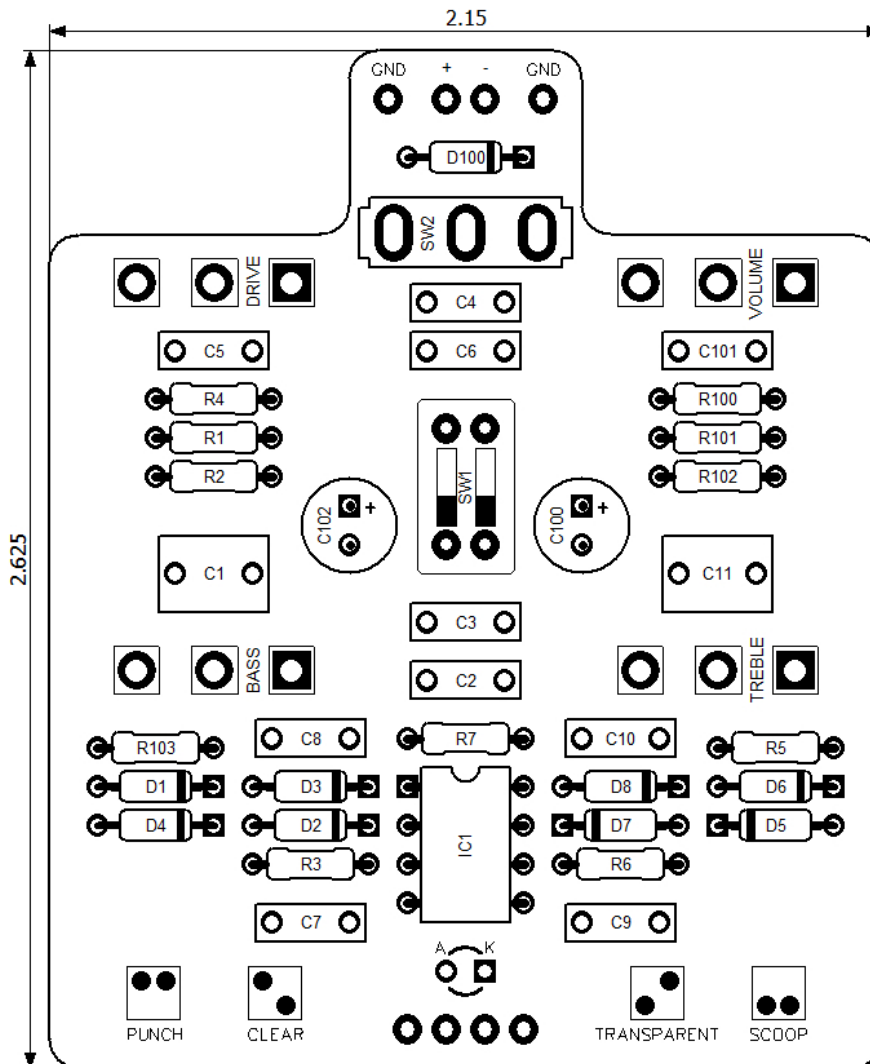


PedalPCB

Powder Blue Overdrive

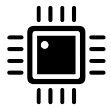
Revised 1/29/22



CONTROLS AND FEATURES

- Volume
- Drive
- Treble
- Bass
- Voice (Toggle switch)

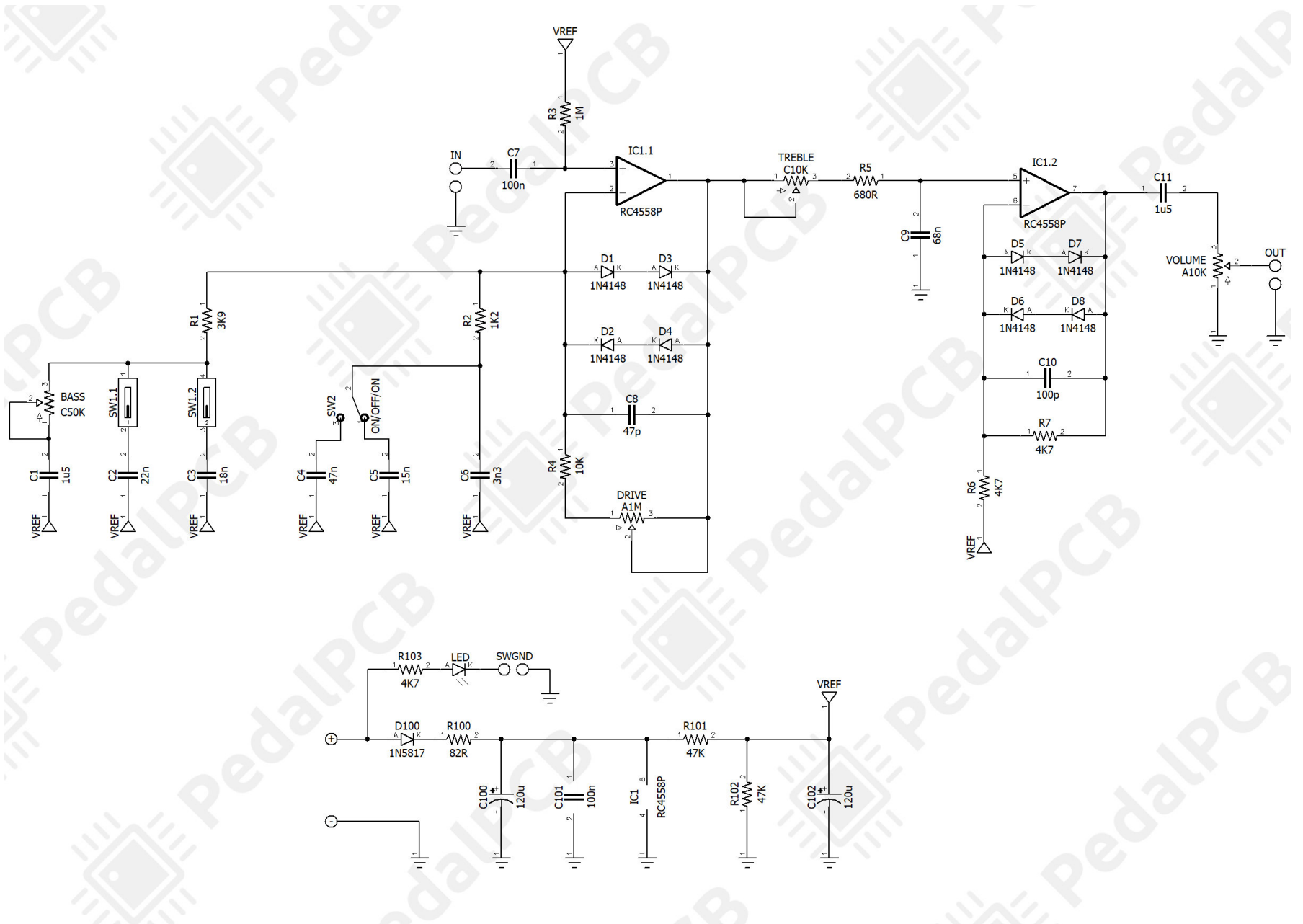
All trademarks and registered trademarks are the property of their respective owners. The company, product, and service names used in this web site are for identification purposes only. Use of these names, logos, and brands does not imply endorsement.

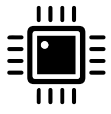


LOCATION	VALUE	TYPE	NOTES
R1	3K9	Resistor, 1/4W	
R2	1K2	Resistor, 1/4W	
R3	1M	Resistor, 1/4W	
R4	10K	Resistor, 1/4W	
R5	680R	Resistor, 1/4W	
R6	4K7	Resistor, 1/4W	
R7	4K7	Resistor, 1/4W	
R100	82R	Resistor, 1/4W	
R101	47K	Resistor, 1/4W	
R102	47K	Resistor, 1/4W	
R103	4K7	Resistor, 1/4W	
C1	1u5	MLCC ceramic capacitor	
C2	22n	Film capacitor, 7.2 x 2.5mm	
C3	18n	Film capacitor, 7.2 x 2.5mm	
C4	47n	Film capacitor, 7.2 x 2.5mm	
C5	15n	Film capacitor, 7.2 x 2.5mm	
C6	3n3	Film capacitor, 7.2 x 2.5mm	
C7	100n	Film capacitor, 7.2 x 2.5mm	
C8	47p	Ceramic capacitor	
C9	68n	Film capacitor, 7.2 x 2.5mm	
C10	100p	Ceramic capacitor	
C11	1u5	MLCC ceramic capacitor	
C100	120u	Electrolytic capacitor, 5mm	
C101	100n	Film capacitor, 7.2 x 2.5mm	
C102	120u	Electrolytic capacitor, 5mm	
D1	1N4148	Signal diode, DO-35	
D2	1N4148	Signal diode, DO-35	
D3	1N4148	Signal diode, DO-35	
D4	1N4148	Signal diode, DO-35	
D5	1N4148	Signal diode, DO-35	
D6	1N4148	Signal diode, DO-35	
D7	1N4148	Signal diode, DO-35	
D8	1N4148	Signal diode, DO-35	
D100	1N5817	Schottky diode, DO-41	
IC1	RC4558P	Dual op-amp, DIP8	
SW1	DIP2	2-position DIP switch	
SW2	ON/OFF/ON	Toggle switch, SPDT	3-position (ON/OFF/ON)
VOLUME	A10K	16mm right-angle PCB mount pot	
DRIVE	A1M	16mm right-angle PCB mount pot	
TREBLE	C10K	16mm right-angle PCB mount pot	
BASS	C50K	16mm right-angle PCB mount pot	

Powder Blue Overdrive

Schematic Diagram





Powder Blue Overdrive

Wiring Diagram

