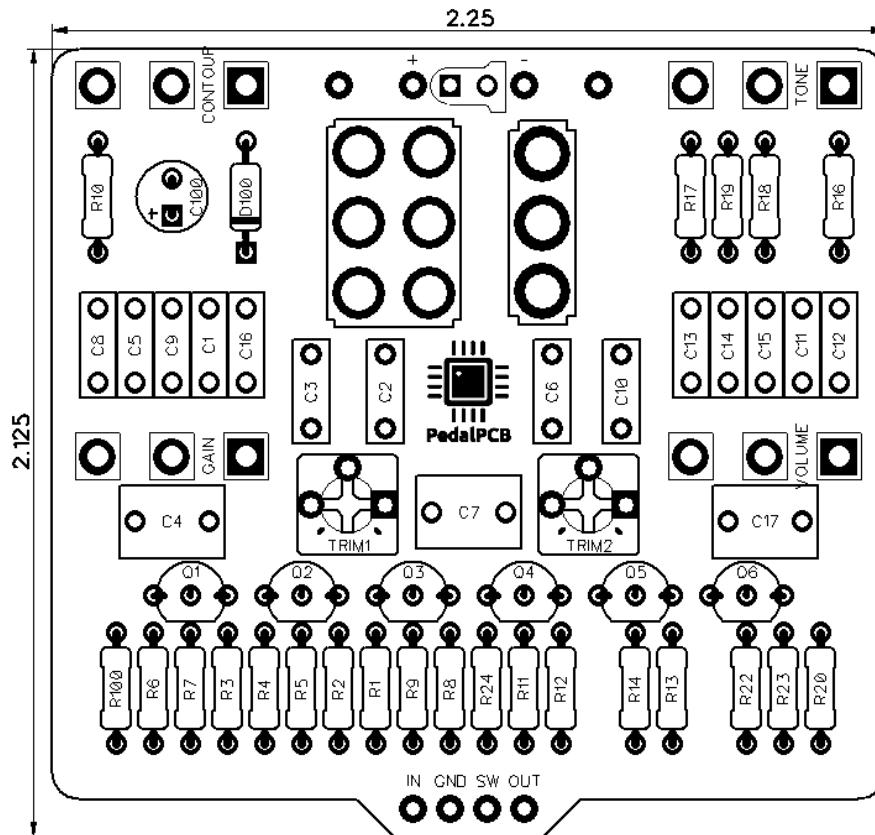




# PedalPCB

## Pineapple

Revision 04.15.19



## Controls

- **Gain** – Sets the amount of signal gain
- **Tone** – Adjusts the high frequency content
- **Contour** – Adjusts the overall frequency content
- **Volume** – Adjusts the overall output volume
- **Modern/Vintage (Toggle switch)** – Toggles between Vintage (dark) and Modern (bright) voicing
- **Boost/Gain (Toggle switch)** – Increases overall gain, more drive / heavier distortion

All trademarks and registered trademarks are the property of their respective owners. The company, product, and service names used in this web site are for identification purposes only. Use of these names, logos, and brands does not imply endorsement.

**RESISTORS**

R1 1M  
R2 470R  
R3 1M  
R4 1M  
R5 1M  
R6 10K  
R7 1K  
R8 10K  
R9 1K  
R10 470K  
R11 1M  
R12 1M  
R13 82K  
R14 1K  
R16 47K  
R17 82K  
R18 10K  
R19 10K  
R20 220K  
R22 1K  
R23 220K  
R24 22K  
R100 4K7

**CAPACITORS**

C1 22n  
C2 220p  
C3 56n  
C4 1u  
C5 22n  
C6 100n  
C7 1u  
C8 470p  
C9 150p  
C10 22n  
C11 10n  
C12 10n  
C13 6n8  
C14 4n7  
C15 4n7  
C16 33n  
C17 1u  
C100 220u

**POTENTIOMETERS**

GAIN A500K  
TONE B100K  
CONTOUR C50K  
VOLUME A100K

**TRIM POTS**

TRIM1 50K (3362P Trim)  
TRIM2 50K (3362P Trim)

**SWITCHES**

SW1 SPDT (On/On)  
SW2 DPDT (On/On)

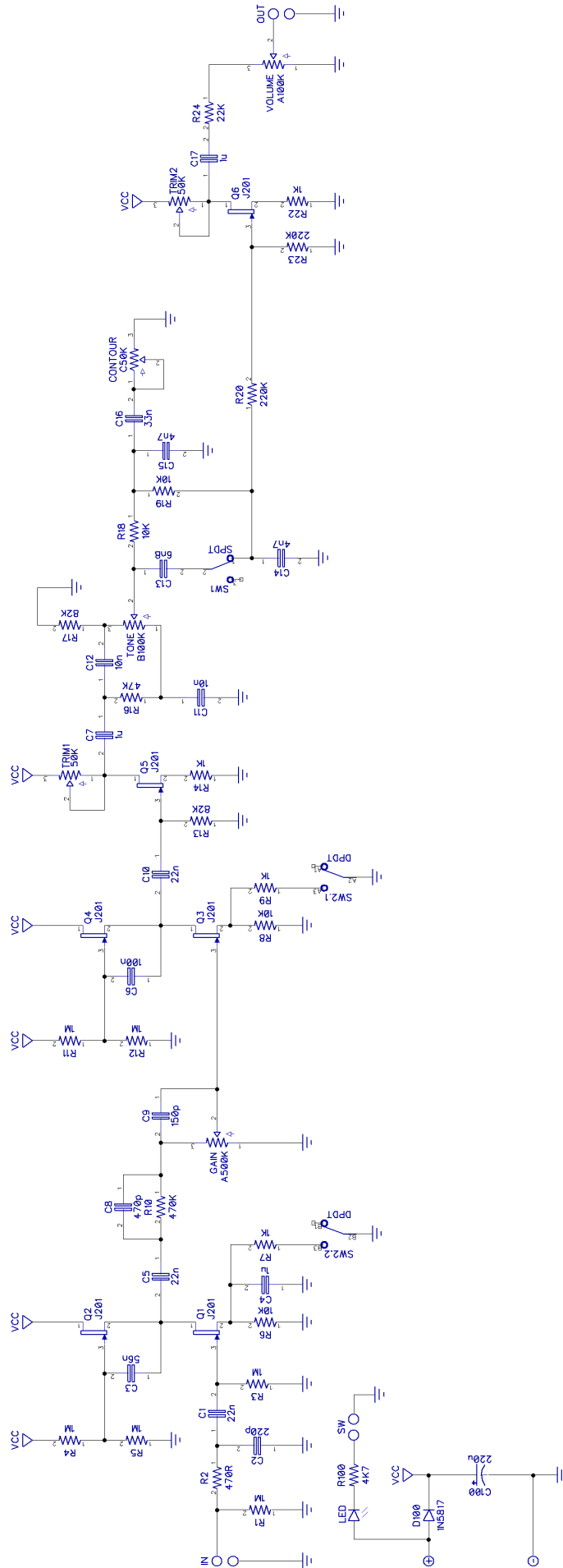
**TRANSISTORS**

Q1 J201  
Q2 J201  
Q3 J201  
Q4 J201  
Q5 J201  
Q6 J201

**DIODES**

D100 1N5817

**PedalPCB**  
**Pineapple**





# Pineapple

Drill Template  
125B enclosure with top mounted jacks

