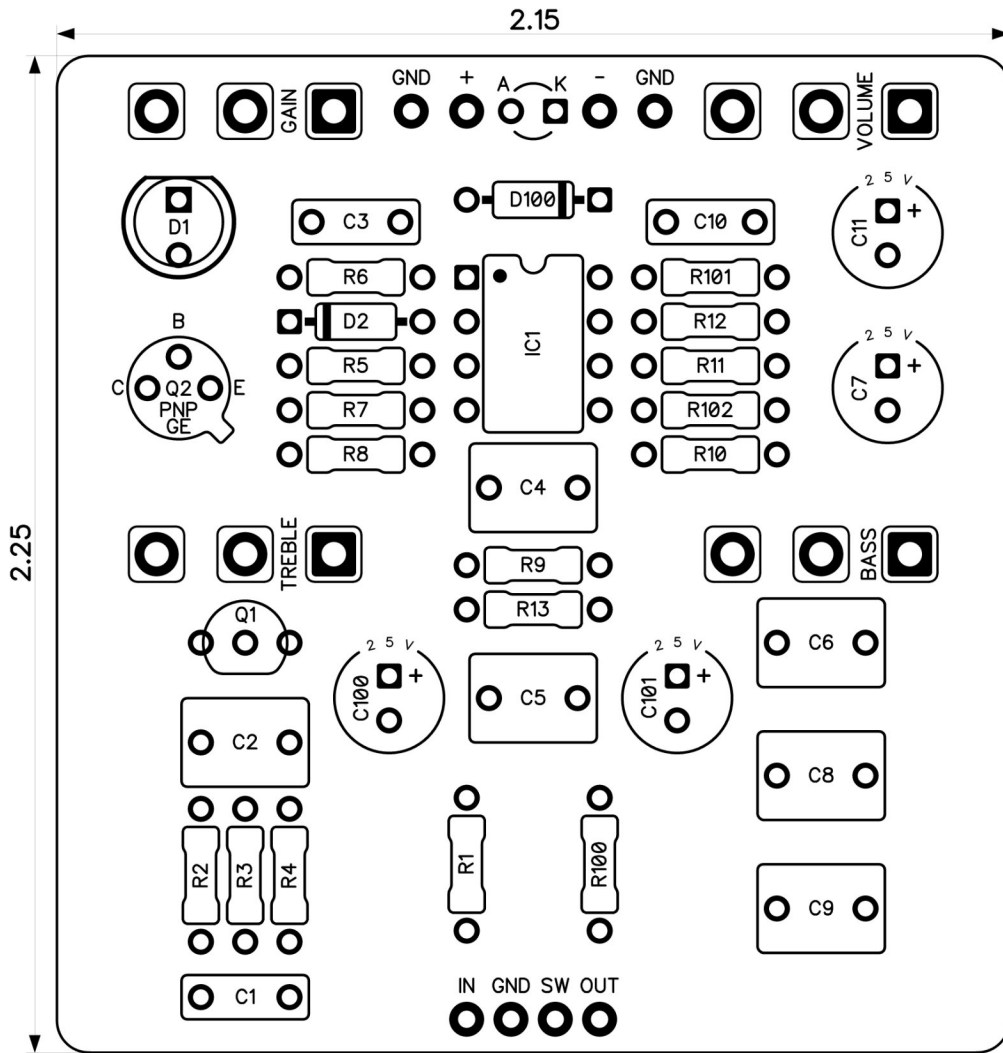


PedalPCB

Pillion Overdrive

Revised 12/14/22



CONTROLS AND FEATURES

- Volume
- Gain
- Bass
- Treble

All trademarks and registered trademarks are the property of their respective owners. The company, product, and service names used in this web site are for identification purposes only. Use of these names, logos, and brands does not imply endorsement.

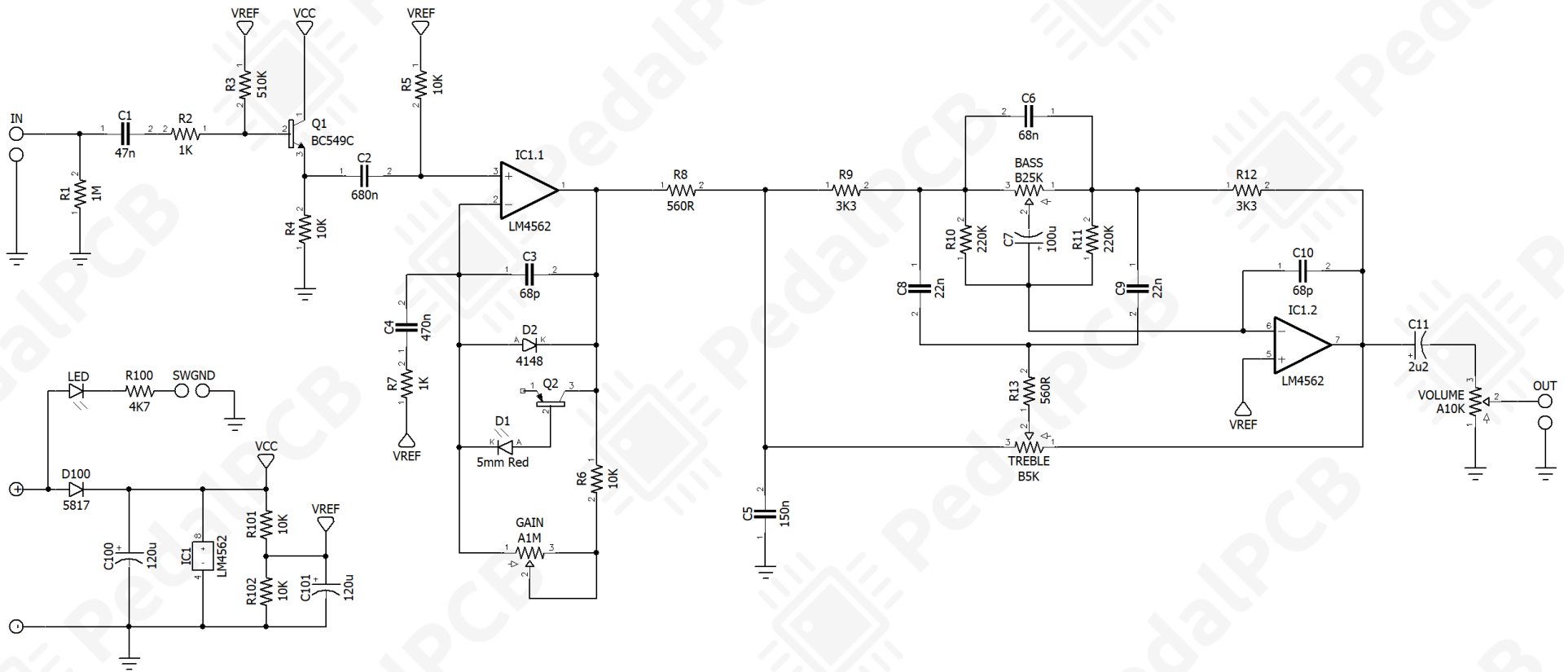
LOCATION	VALUE	TYPE	NOTES
R1	1M	Resistor, 1/4W	
R2	1K	Resistor, 1/4W	
R3	510K	Resistor, 1/4W	
R4	10K	Resistor, 1/4W	
R5	10K	Resistor, 1/4W	
R6	10K	Resistor, 1/4W	
R7	1K	Resistor, 1/4W	
R8	560R	Resistor, 1/4W	
R9	3K3	Resistor, 1/4W	
R10	220K	Resistor, 1/4W	
R11	220K	Resistor, 1/4W	
R12	3K3	Resistor, 1/4W	
R13	560R	Resistor, 1/4W	
R100	4K7	Resistor, 1/4W	* LED current limiting resistor
R101	10K	Resistor, 1/4W	
R102	10K	Resistor, 1/4W	
C1	47n	Film capacitor, 7.2 x 2.5mm	
C2	680n	Film capacitor, 7.2 x 5.0mm	
C3	68p	Ceramic disc capacitor	
C4	470n	Film capacitor, 7.2 x 5.0mm	
C5	150n	Film capacitor, 7.2 x 5.0mm	
C6	68n	Film capacitor, 7.2 x 2.5mm	
C7	100u	Electrolytic capacitor, 5mm	
C8	22n	Film capacitor, 7.2 x 2.5mm	
C9	22n	Film capacitor, 7.2 x 2.5mm	
C10	68p	Ceramic disc capacitor	
C11	2u2	Electrolytic capacitor, 5mm	
C100	120u	Electrolytic capacitor, 5mm	
C101	120u	Electrolytic capacitor, 5mm	
D1	5mm Red	5mm Red LED	
D2	1N4148	Signal diode, DO-35	
D100	5817	Schottky diode, DO-41	
Q1	BC549C	BJT transistor, NPN TO-92	
Q2	GE PNP	Germanium transistor, PNP	
IC1	LM4562	Dual op-amp, DIP8	
VOLUME	A10K	16mm right-angle PCB mount pot	
GAIN	A1M	16mm right-angle PCB mount pot	
BASS	B25K	16mm right-angle PCB mount pot	
TREBLE	B5K	16mm right-angle PCB mount pot	



NOTE - Q2 can be substituted with a germanium diode
 Anode → Collector Pad, Cathode → Base Pad

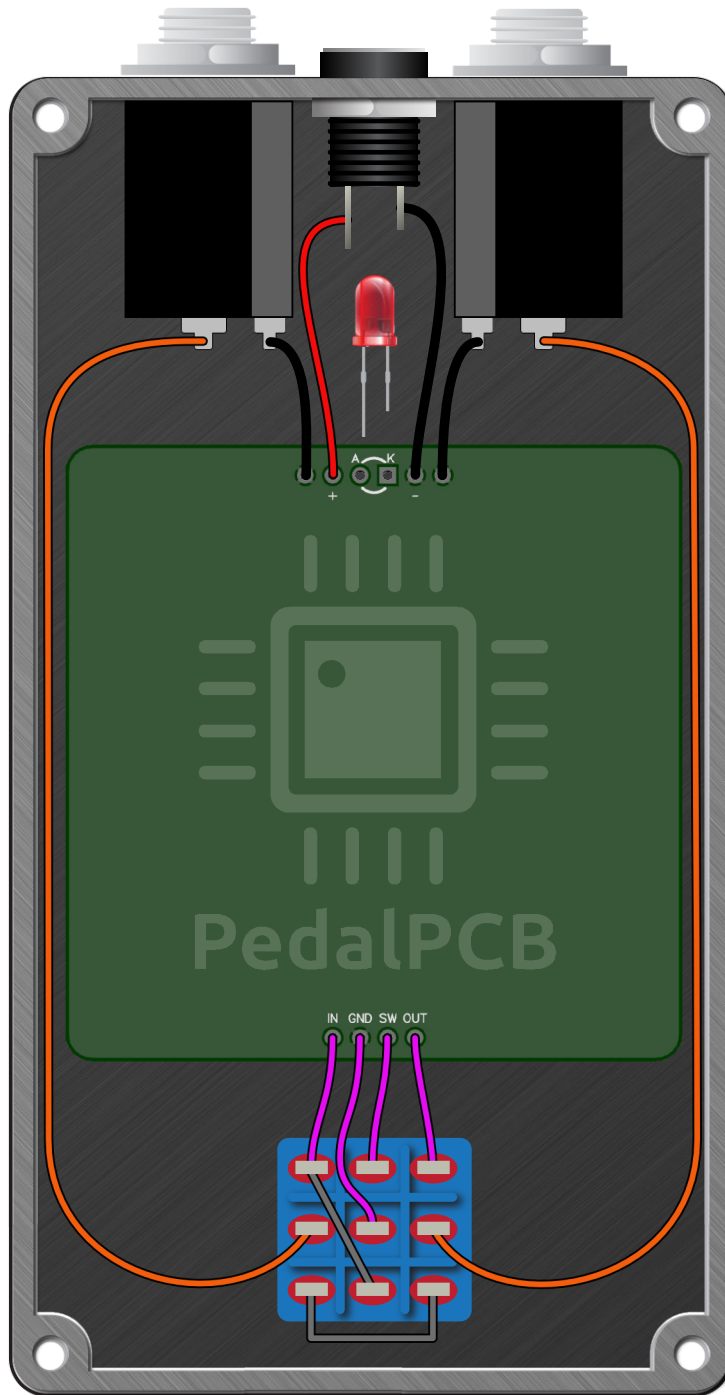
Pillion Overdrive

Schematic Diagram



Pillion Overdrive

Wiring Diagram



Pillion Overdrive

Drill Template
125B Enclosure

