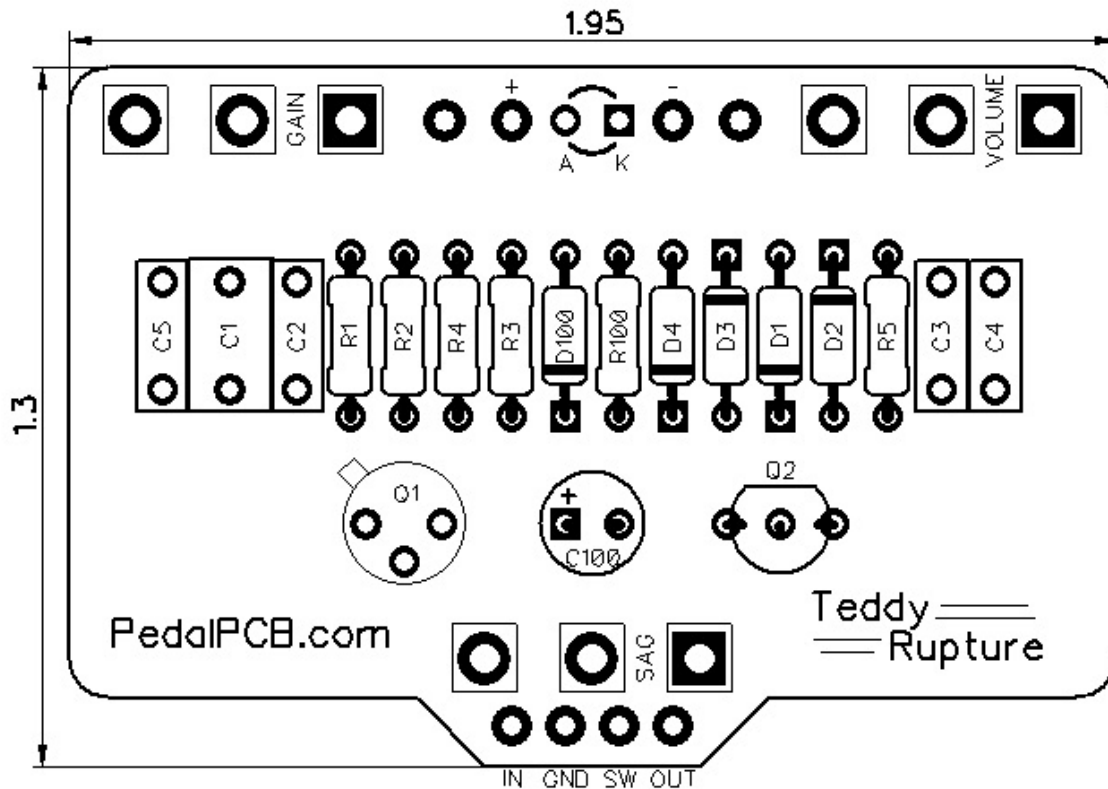




PedalPCB

Teddy Rupture

Revision 03.05.19



Controls

- **Volume** - Controls the overall output volume
- **Sag** - Adjusts the amount of voltage sag (Skin / Meat)
- **Gain** - Controls the amount of fuzz

All trademarks and registered trademarks are the property of their respective owners. The company, product, and service names used in this web site are for identification purposes only. Use of these names, logos, and brands does not imply endorsement.

Teddy Rupture

Parts List

RESISTORS

R1 150K
R2 560K
R3 560K
R4 18K
R5 2K2
R100 4K7

CAPACITORS

C1 330n
C2 22n
C3 47p
C4 68n
C5 100n
C100 47u

TRANSISTORS

Q1 BC109C
Q2 2N3906

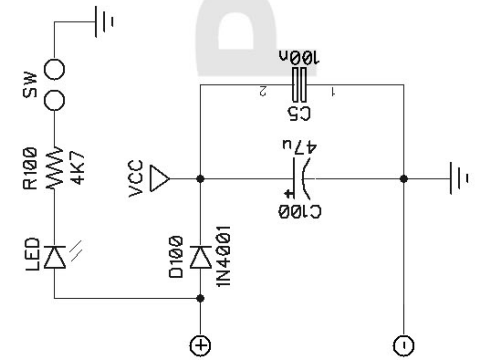
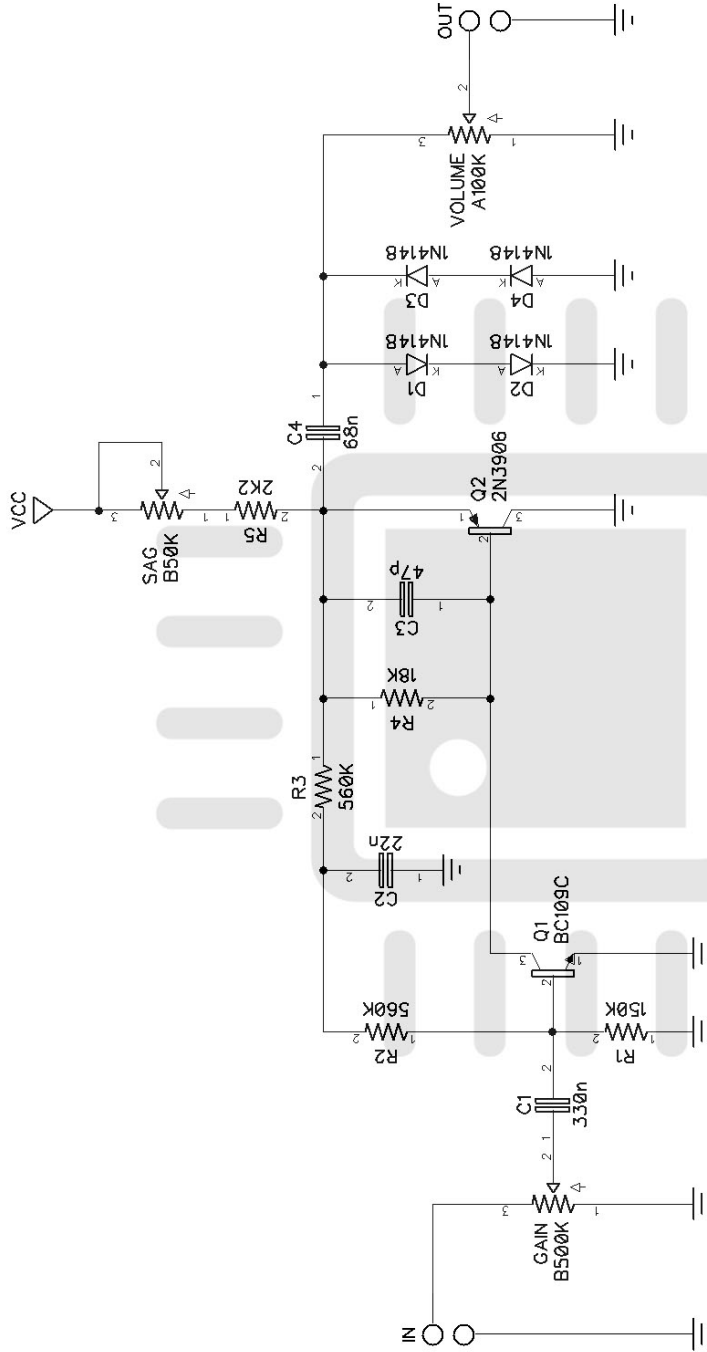
DIODES

D1 1N4148
D2 1N4148
D3 1N4148
D4 1N4148
D100 1N4001

POTENTIOMETERS

VOLUME A100K
GAIN B500K
SAG B50K

Teddy Rupture



Teddy Rupture

Wiring Diagram



Teddy Rupture

Drill Template
125B enclosure with top mounted jacks

