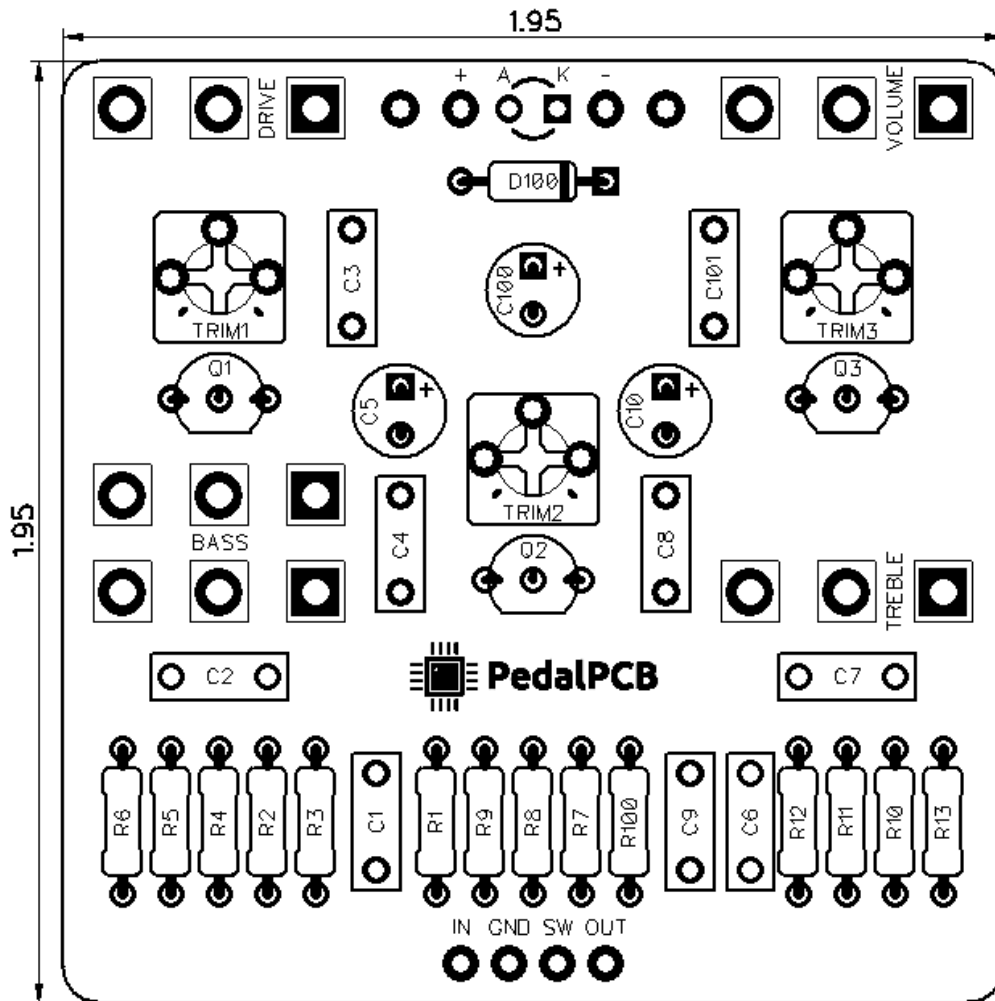


PedalPCB

Son of Ben Preamp

Revision 08.30.19



Controls

- Volume
- Drive
- Bass
- Treble

All trademarks and registered trademarks are the property of their respective owners. The company, product, and service names used in this web site are for identification purposes only. Use of these names, logos, and brands does not imply endorsement.

Son of Ben Preamp

Parts List

RESISTORS (1/4W)

R1	1M
R2	220K
R3	1M
R4	1K
R5	10K
R6	470K
R7	470K
R8	1K
R9	10K
R10	100K
R11	1K
R12	10K
R13	47K
R100	4K7

CAPACITORS

C1	100n
C2	22n
C3	250p
C4	470p
C5	10u
C6	22n
C7	22n
C8	22n
C9	2n2
C10	10u*
C100	100u
C101	100n

**C10 omitted in newer models*

TRANSISTORS

Q1	J201
Q2	J201
Q3	J201

DIODES

D100	1N5817
------	--------

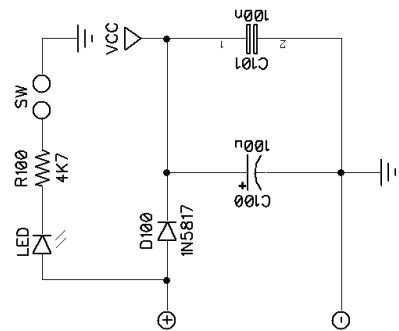
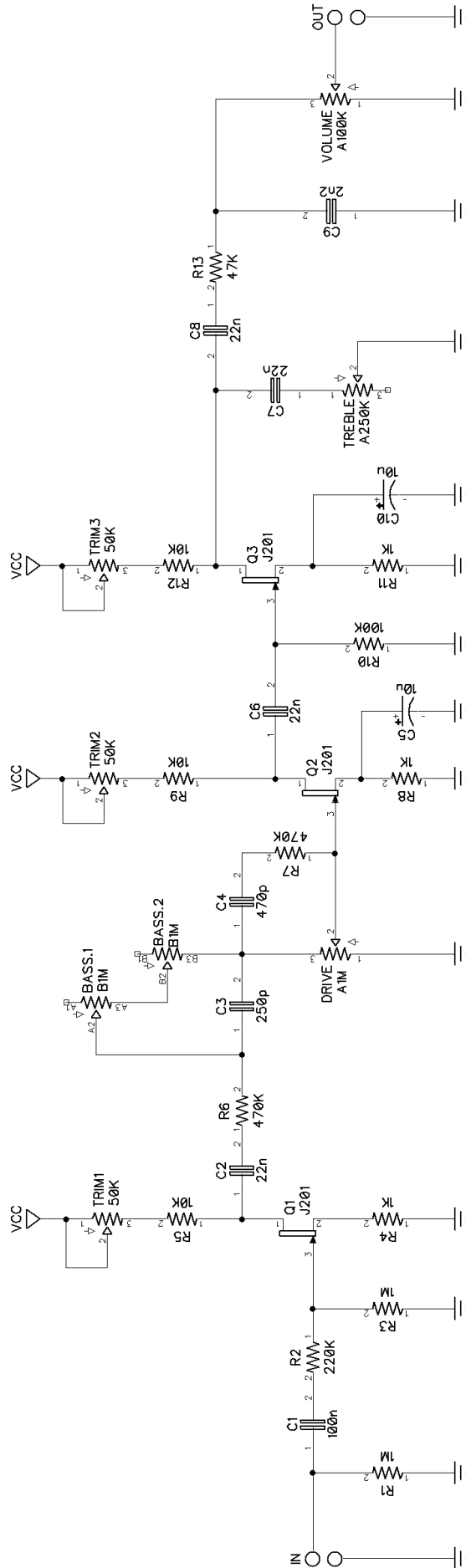
POTENTIOMETERS

VOLUME	A100K
DRIVE	A1M
BASS	B1M DUAL
TREBLE	A250K

TRIM POTS

TRIM1	50K
TRIM2	50K
TRIM3	50K

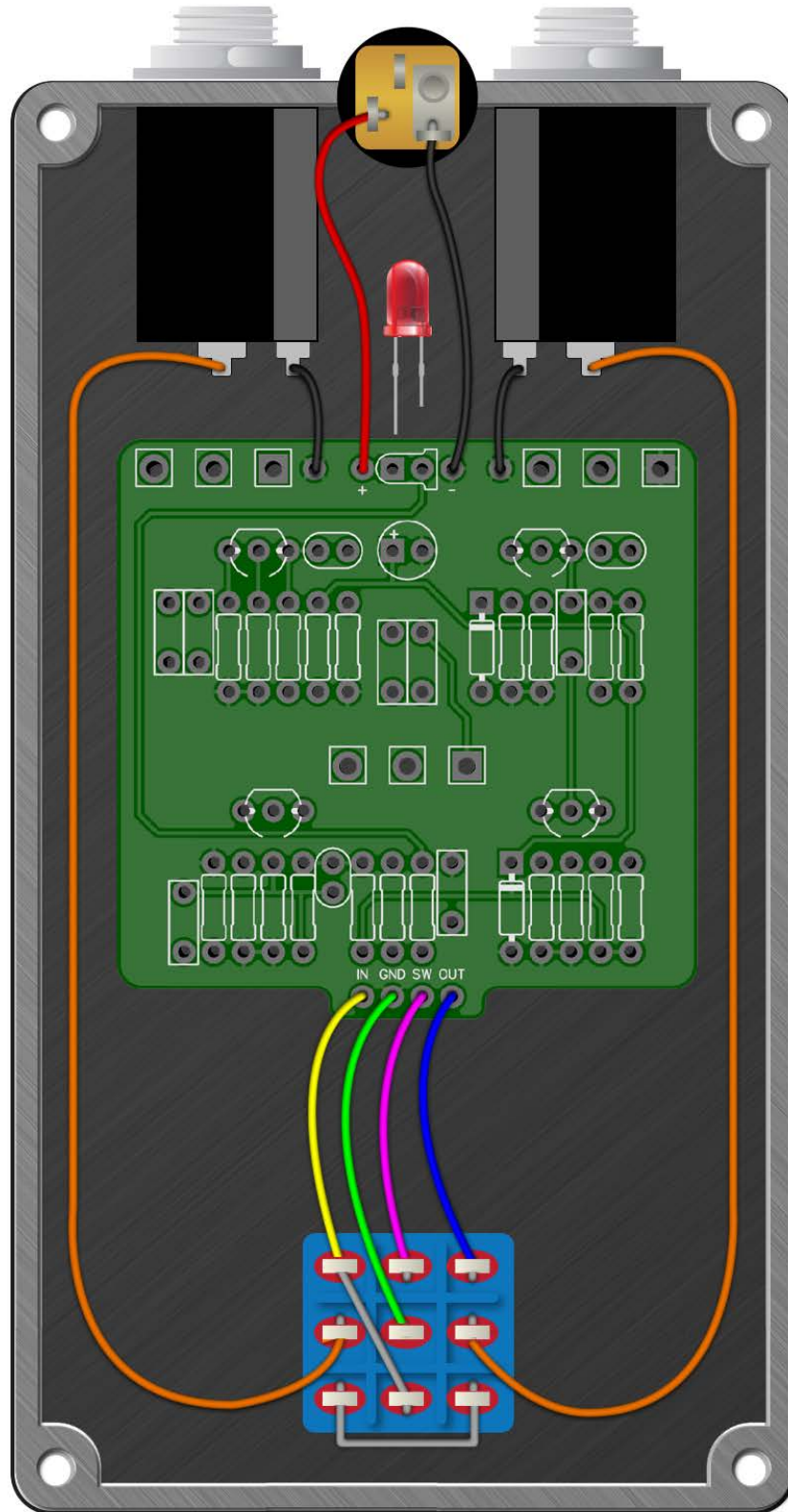
Son of Ben Preamp



TRIM 1 - Adjust to 2K
 TRIM 2 - Set Q2 drain to 4.0VDC
 TRIM3 - Set Q3 drain to 4.0VDC

Son of Ben Preamp

Wiring Diagram



Son of Ben Preamp

Drill Template
125B enclosure with top mounted jacks

