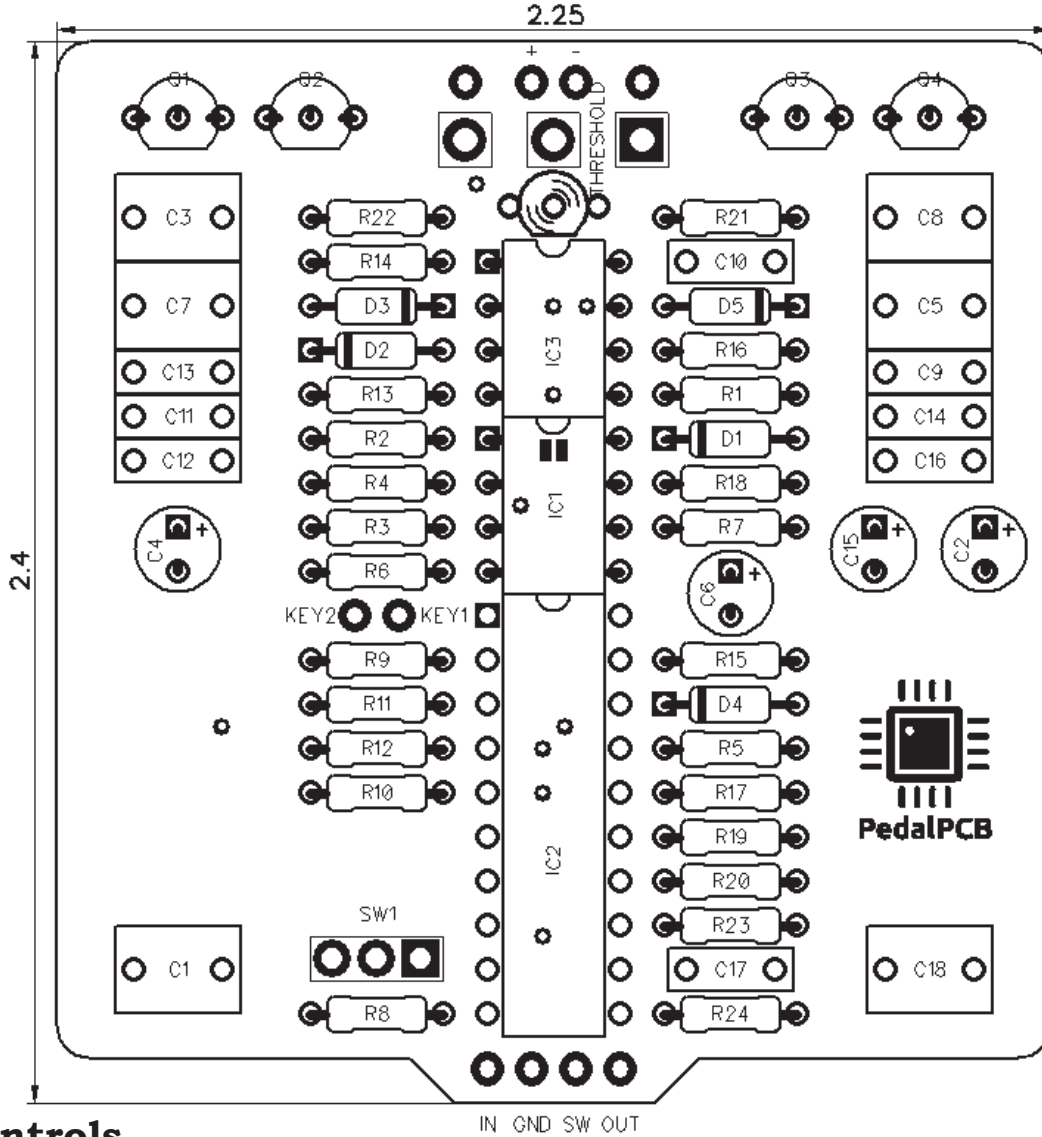




Muzzle

Revision 12.22.19



Controls

- Threshold
- Range (internal switch)

RESISTORS (1/4W)

| | |
|-----|------|
| R1 | 1M |
| R2 | 470K |
| R3 | 470K |
| R4 | 10K |
| R5 | 22K |
| R6 | 3K |
| R7 | 10K |
| R8 | 22K |
| R9 | 2M2 |
| R10 | 1K5 |
| R11 | 220K |
| R12 | 5K6 |
| R13 | 10M |
| R14 | 470R |
| R15 | 47K |
| R16 | 1K |
| R17 | 47K |
| R18 | 6K8 |
| R19 | 10K |
| R20 | 47R |
| R21 | 5K6 |
| R22 | 5K6 |
| R23 | 22K |
| R24 | 100K |

CAPACITORS

| | |
|-----|------|
| C1 | 1u |
| C2 | 100u |
| C3 | 1u |
| C4 | 100u |
| C5 | 1u |
| C6 | 100u |
| C7 | 1u |
| C8 | 1u |
| C9 | 100n |
| C10 | 100n |
| C11 | 560n |
| C12 | 150n |
| C13 | 10n |
| C14 | 150p |
| C15 | 2u2 |
| C16 | 150p |
| C17 | 150p |
| C18 | 1u |

INTEGRATED CIRCUITS

| | |
|-----|----------|
| IC1 | LT1054 |
| IC2 | THAT4301 |
| IC3 | TL072 |

TRANSISTORS

| | |
|----|--------|
| Q1 | 2N3904 |
| Q2 | 2N3904 |
| Q3 | 2N3904 |
| Q4 | 2N3904 |

DIODES

| | |
|-----|------------------------|
| D1 | 1N5817 |
| D2 | 1N4148 |
| D3 | 1N4148 |
| D4 | 1N4148 |
| D5 | 1N4148 |
| LED | Common Cathode 2-Color |

POTENTIOMETERS

| | |
|-----------|------|
| THRESHOLD | B25K |
|-----------|------|

CHARGE PUMP

TC1044S, MAX1044S, or ICL7660S can be used in the place of LT1054 for IC1. Bridge solder pads under IC1 when using any of these substitutes. **Do NOT bridge pads when using LT1054.**

SWITCHES

RANGE (SW1) - Mini Slide SPDT

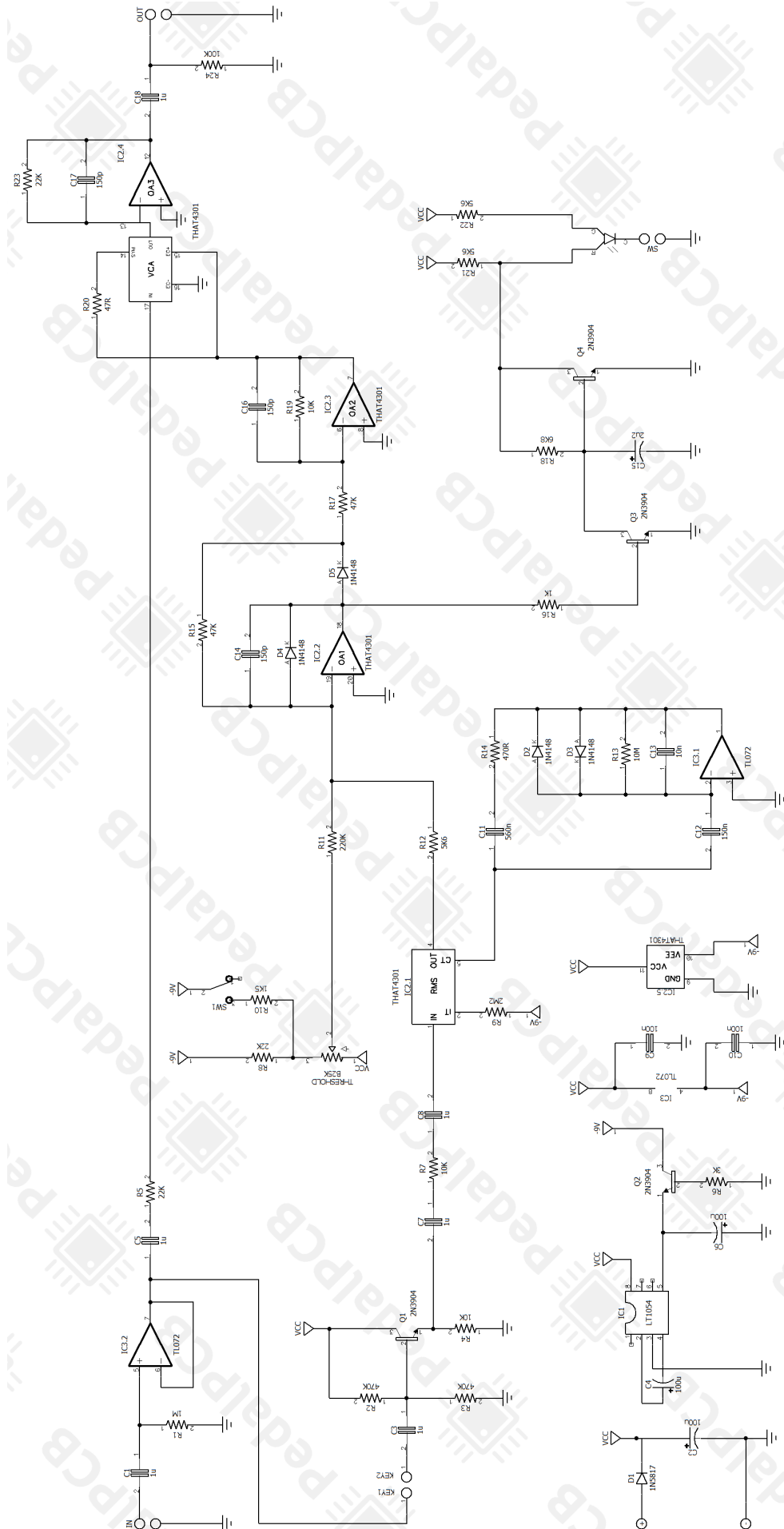
<https://www.taydaelectronics.com/electromechanical/switches-key-pad/slide-switch/mini-slide-switch-1p2t-through-hole-0-2a-24vdc.html>

JACKS

SIDECHAIN (Key) - 1/4" Switching TRS

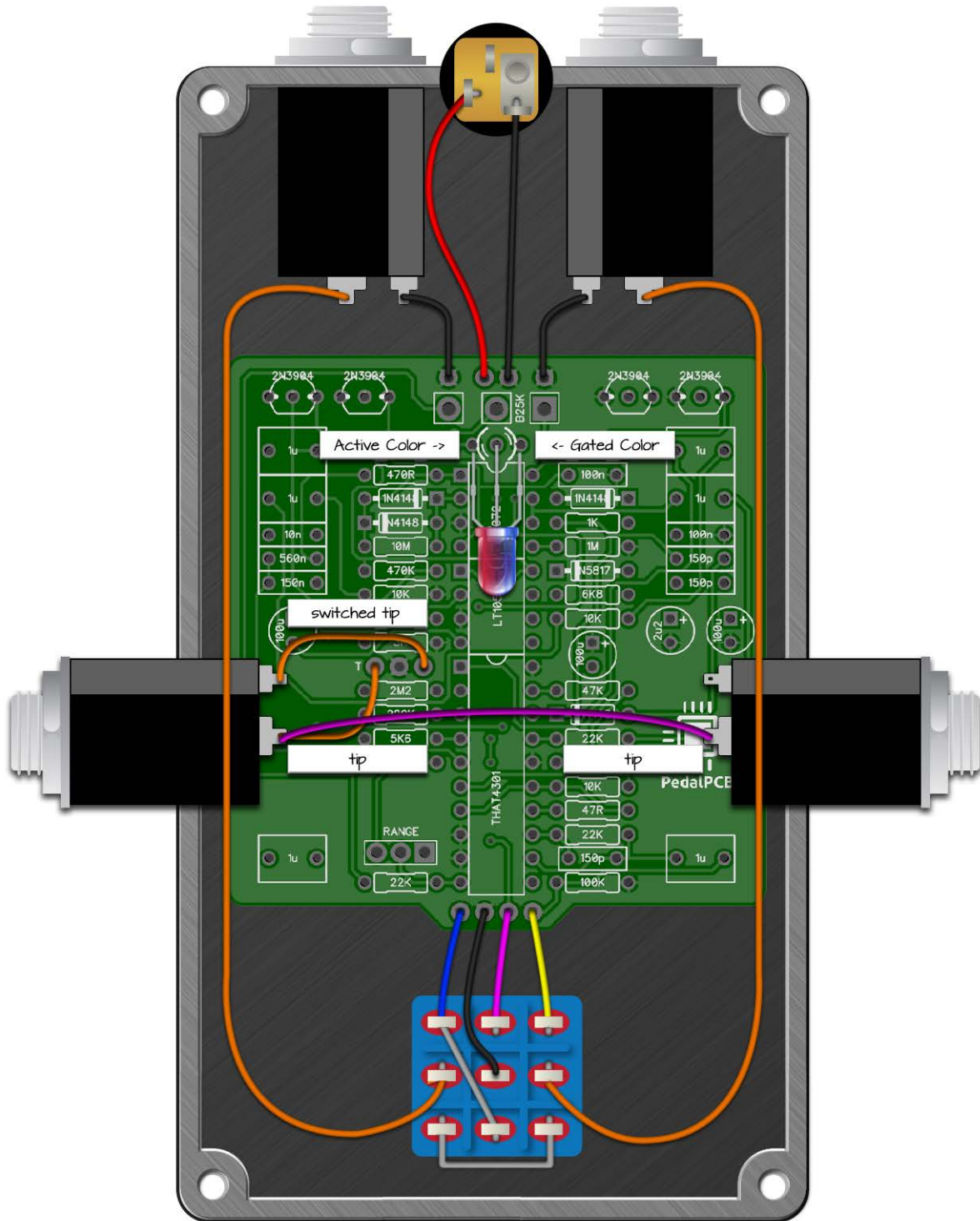
<https://www.taydaelectronics.com/6-35mm-1-4-stereo-phone-jack.html>

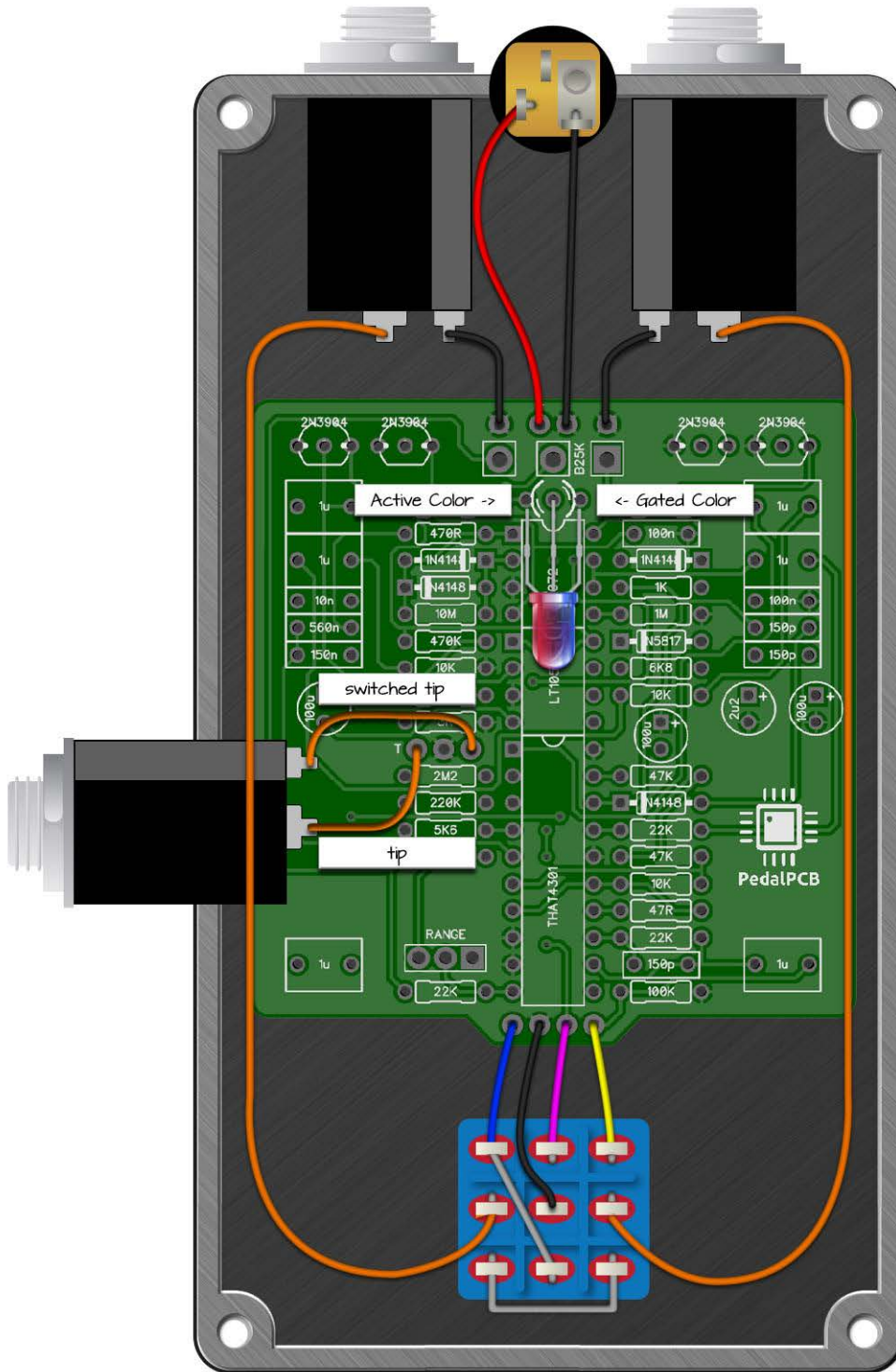
PedalPCB
Muzzle



Muzzle

Wiring Diagram
(with Sidechain Passthrough)





NOTE: Sidechain Input is optional
If omitted, install jumper across Tip and Switched Tip pads on PCB

Muzzle

Drill Template
125B enclosure with top mounted jacks
(with Sidechain Passthrough)

