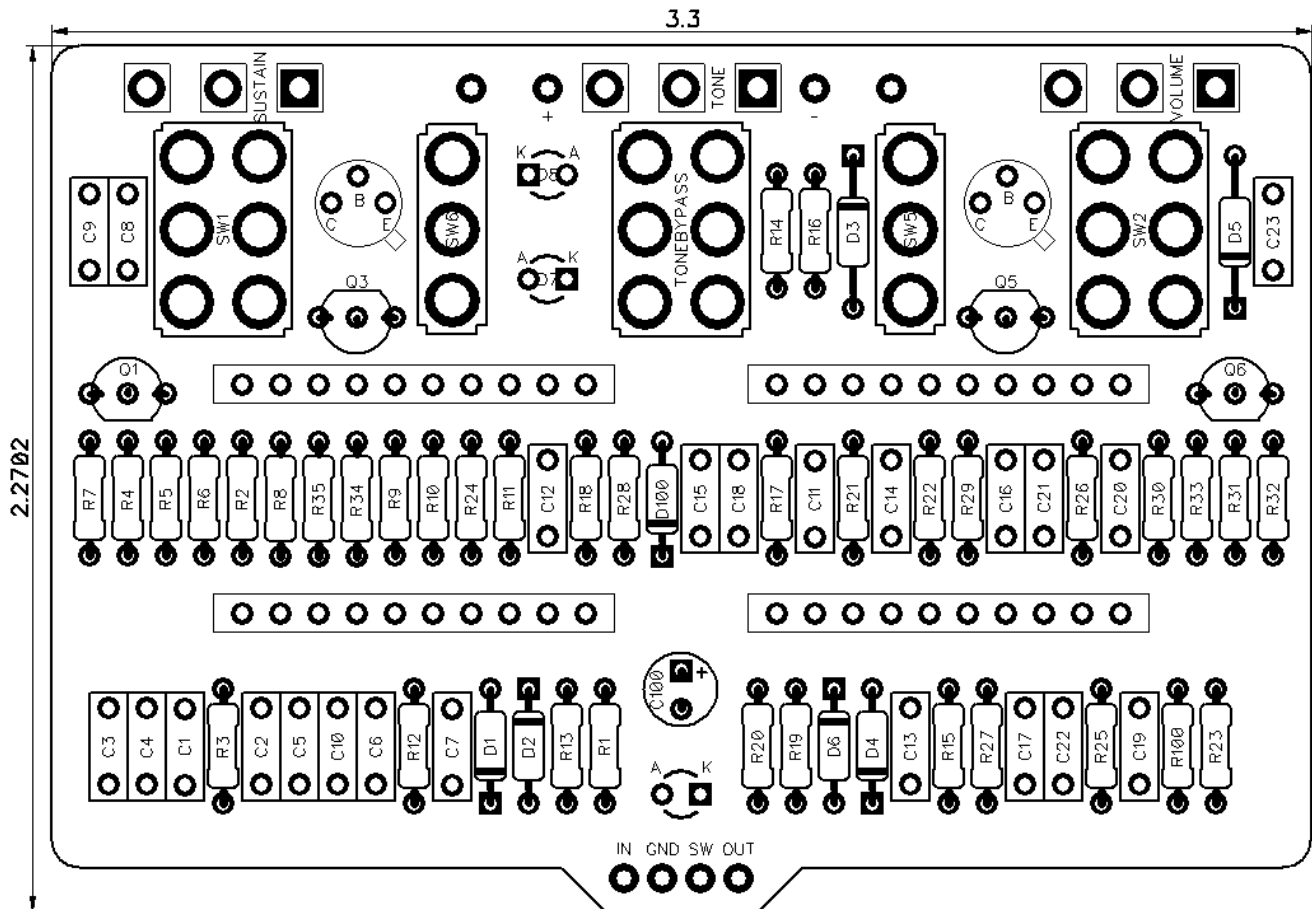




PedalPCB

Muffin Factory

Revision 12.29.20



Controls

- Volume
- Tone
- Sustain
- Stage 1 Transistor (Toggle Switch)
- Stage 2 Transistor (Toggle Switch)
- Stage 1 Clipping (Toggle Switch)
- Stage 2 Clipping (Toggle Switch)

Dip Switches

Input

- Input
- Depth
- Comp
- Range
- Gain

Clip 1

- Input
- Depth
- Comp
- Range
- Gain

Clip 2

- Input
- Depth
- Comp
- Range
- Gain

Tone

- High R
- High C
- Depth
- Low R
- Low C

All trademarks and registered trademarks are the property of their respective owners. The company, product, and service names used in this web site are for identification purposes only. Use of these names, logos, and brands does not imply endorsement.

RESISTORS (1/4W)

R1 1M
 R2 47K
 R3 110K
 R4 82K
 R5 390K
 R6 39K
 R7 390R
 R8 1K
 R9 11K
 R10 33K
 R11 82K
 R12 1M3
 R13 560K
 R14 120R
 R15 12K
 R16 1K2
 R17 15K
 R18 18K
 R19 82K
 R20 910K
 R21 680K
 R22 120R
 R23 22K
 R24 1K2
 R25 130K
 R26 56K
 R27 130K
 R28 100K
 R29 56K
 R30 390K
 R31 100K
 R32 12K
 R33 2K7
 R34 180R
 R35 18K
 R100 4K7

CAPACITORS

C1 100n
 C2 22n
 C3 560p
 C4 100n
 C5 22n
 C6 100n
 C7 22n
 C8 100n
 C9 47n
 C10 560p
 C11 100n
 C12 22n
 C13 100n
 C14 47n
 C15 560p
 C16 6n8
 C17 39n
 C18 100n
 C19 10n
 C20 100n
 C21 22n
 C22 100n
 C23 100n
 C100 100u

TRANSISTORS

Q1 2N5088
 Q2 106NU70 (55 - 65 hfe)
 Q3 MPSA18
 Q4 106NU70 (55 - 65 hfe)
 Q5 MPSA18
 Q6 2N5088

DIODES

D1 1N914
 D2 1N914
 D3 GE
 D4 1N914
 D5 GE
 D6 1N914
 D7 3mm Red LED
 D8 3mm Red LED
 D100 1N5817

POTENTIOMETERS

VOLUME A100K
 TONE B100K
 SUSTAIN B100K

TOGGLE SWITCHES

SW1 DPDT ON/ON
 SW2 DPDT ON/ON
 SW5 SPDT ON/OFF/ON
 SW6 SPDT ON/OFF/ON
 TONEBYPASS DPDT ON/ON

DIP SWITCHES

DIP1 DIP-5 Dip Switch
 DIP2 DIP-5 Dip Switch
 DIP3 DIP-5 Dip Switch
 DIP4 DIP-5 Dip Switch

PIN HEADERS

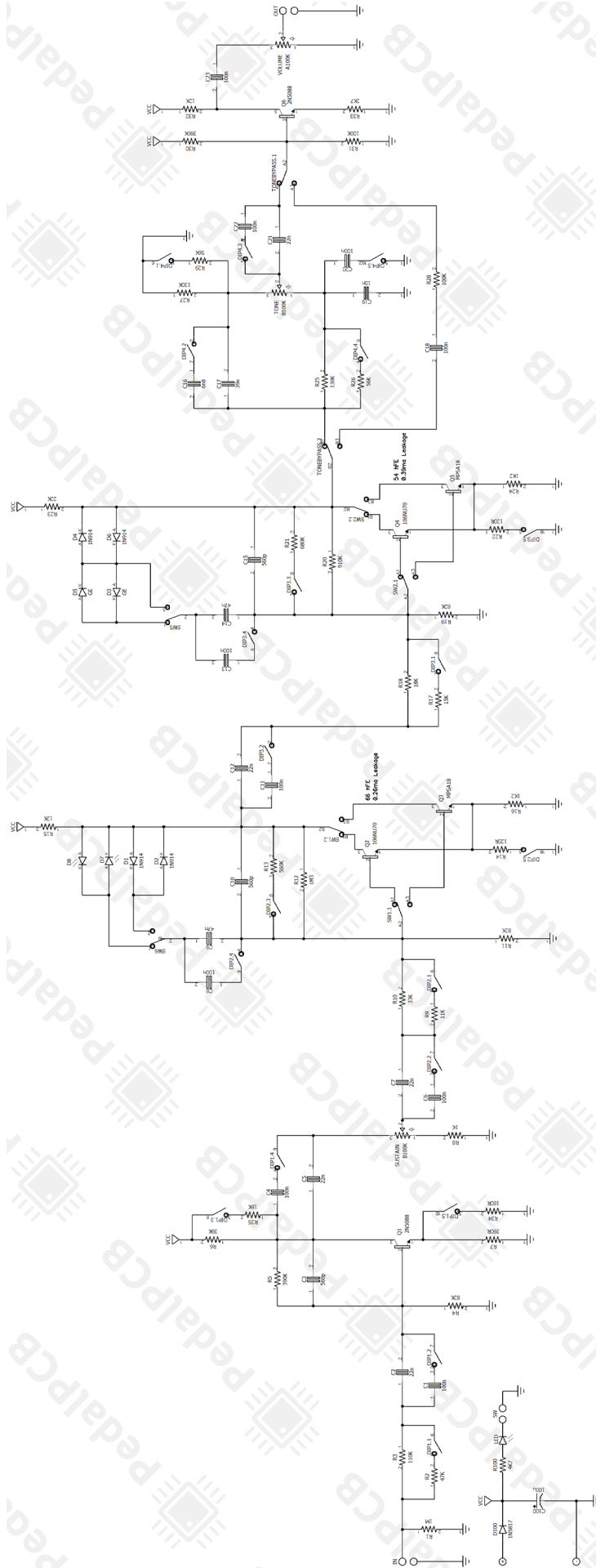
4 x 10 PIN 2.54mm Pin Header Strip

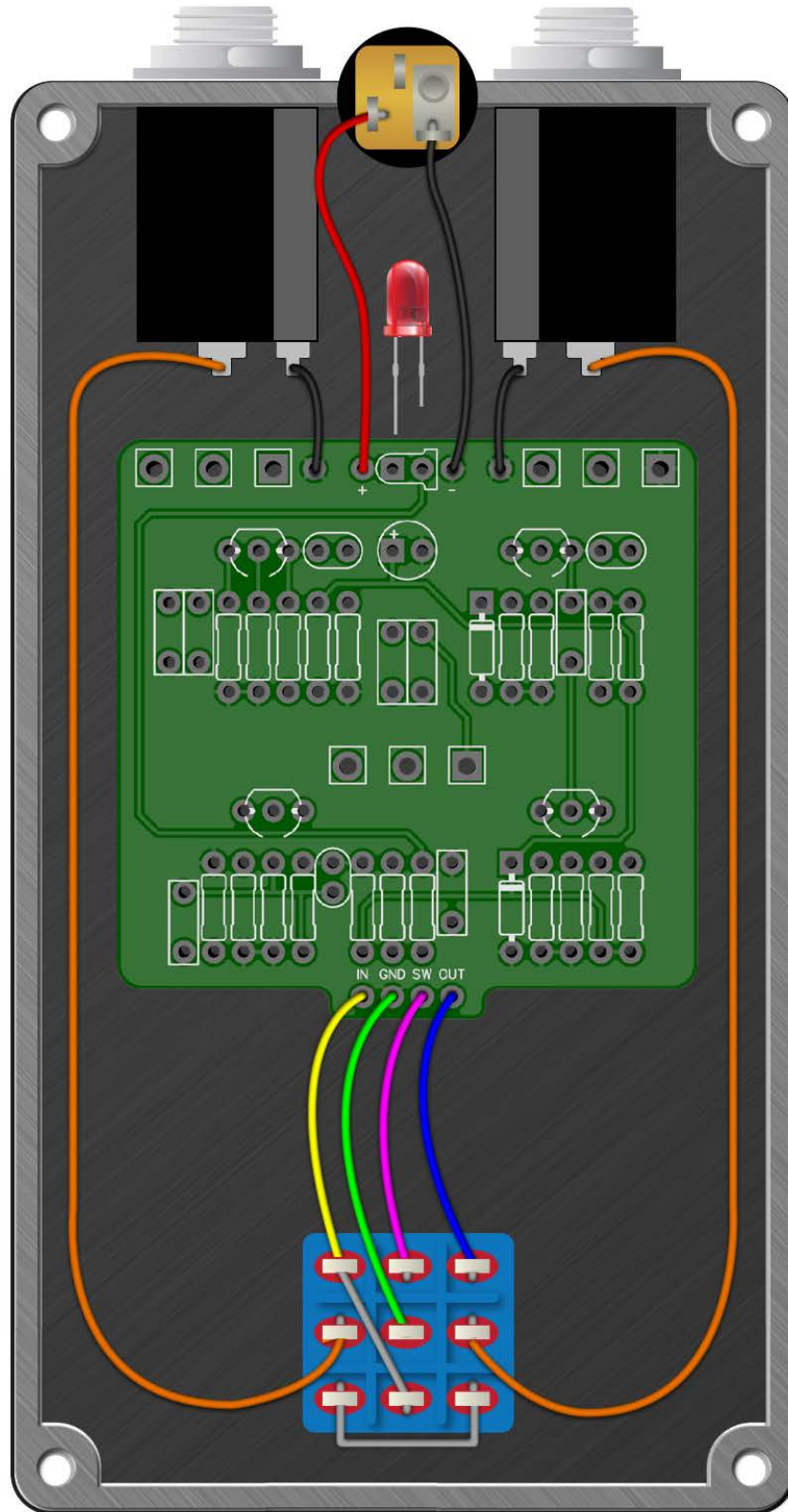
BREAKOUT BOARDS

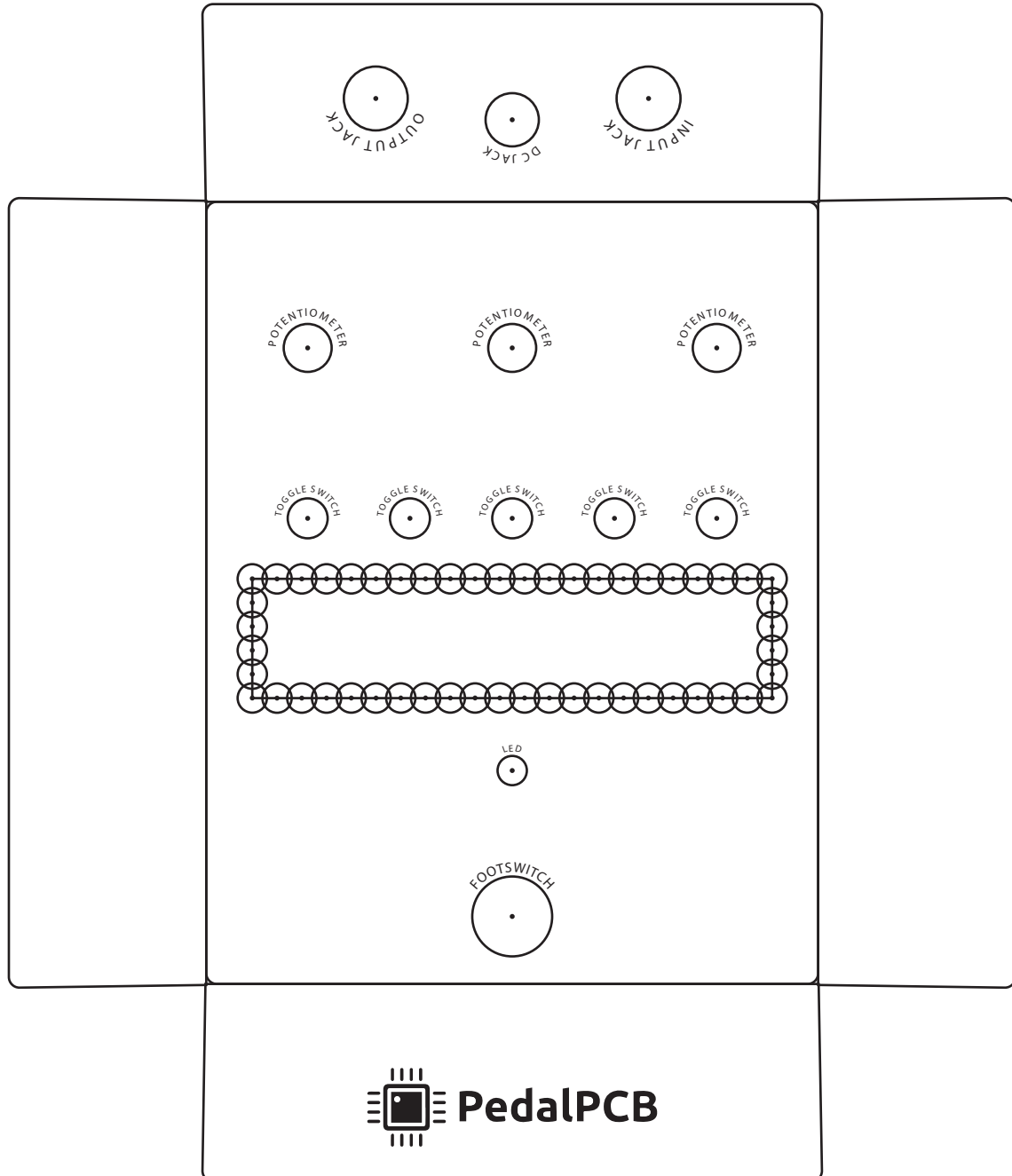
Dip Switch Breakout Board (included)

Muffin Factory

Schematic







Instructions for drilling rectangular cutout

- 1) Punch and drill each marked hole with 1/8" drill bit
- 2) Re-drill each hole using 11/64" drill bit
- 3) Remove burrs using metal file (OPTIONAL)
- 4) If needed, insulate dipswitch module pins with hot glue or electrical/kapton tape to prevent contact with metal enclosure.