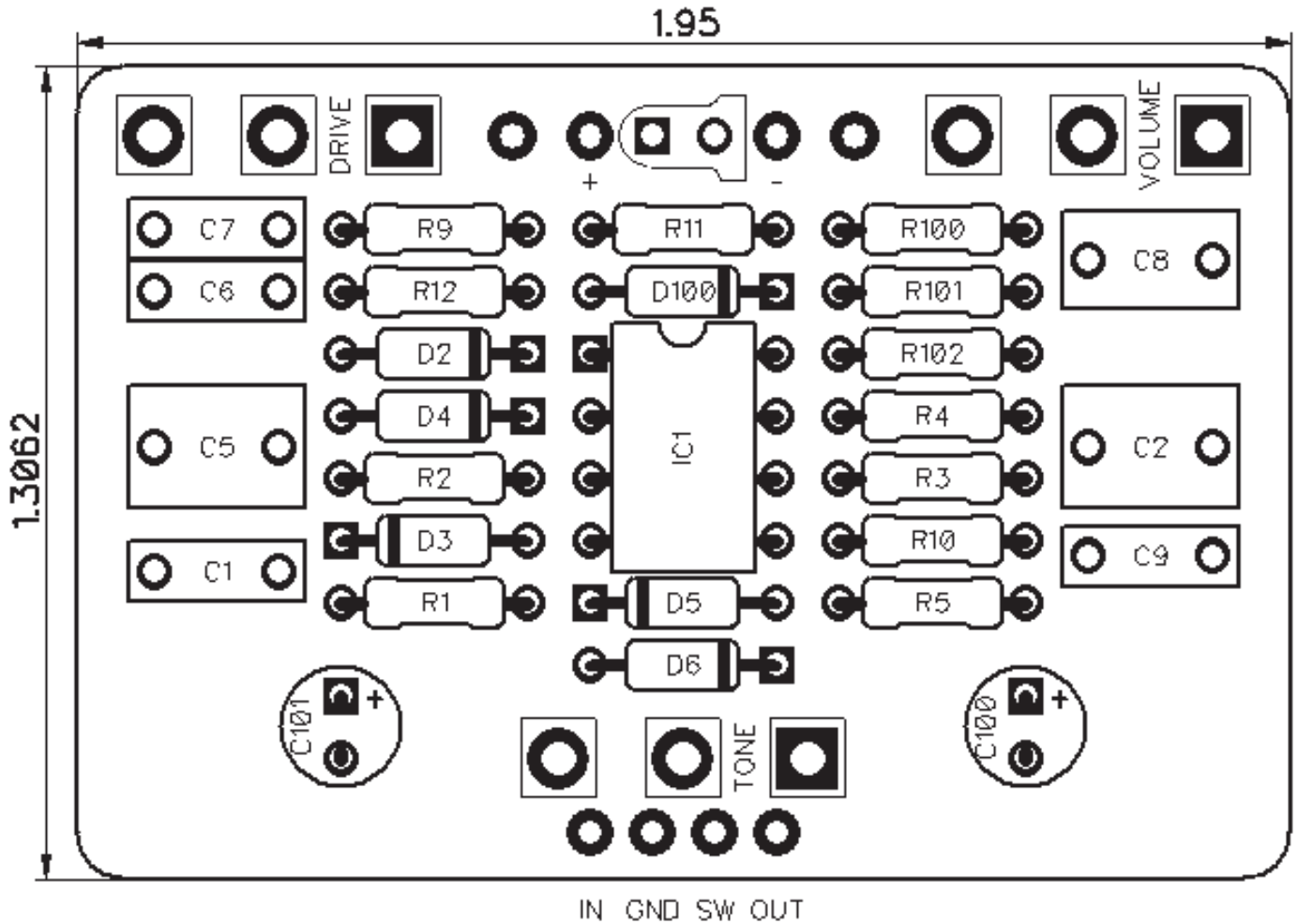


PedalPCB

Mach 1 Overdrive

Revision 03.02.19



Controls

- Volume
- Tone
- Drive

All trademarks and registered trademarks are the property of their respective owners. The company, product, and service names used in this web site are for identification purposes only. Use of these names, logos, and brands does not imply endorsement.

Mach 1 Overdrive

Parts List

RESISTORS (1/4W)

R1 1M
R2 430K
R3 3K9
R4 4K7
R5 3K3
R9 5K6
R10 5K6
R11 3K3
R12 12K
R100 4K7
R101 4K7
R102 5K6

CAPACITORS

C1 47n
C2 1u
C5 470n
C6 47n
C7 100p
C8 220n
C9 10n
C100 22u
C101 22u

INTEGRATED CIRCUITS

IC1 OPA2134

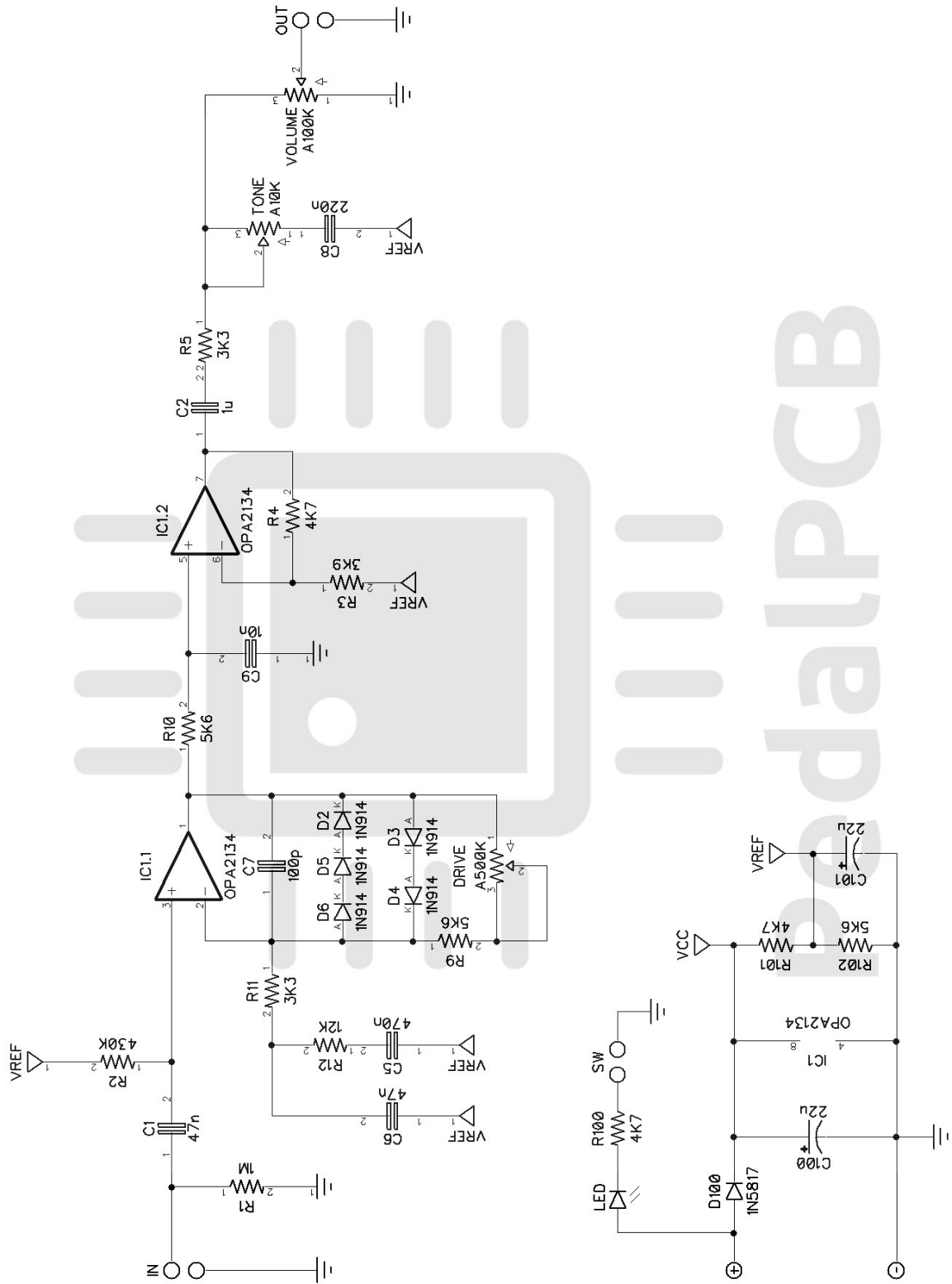
DIODES

D100 1N5817
D2 1N914
D3 1N914
D4 1N914
D5 1N914
D6 1N914

POTENTIOMETERS

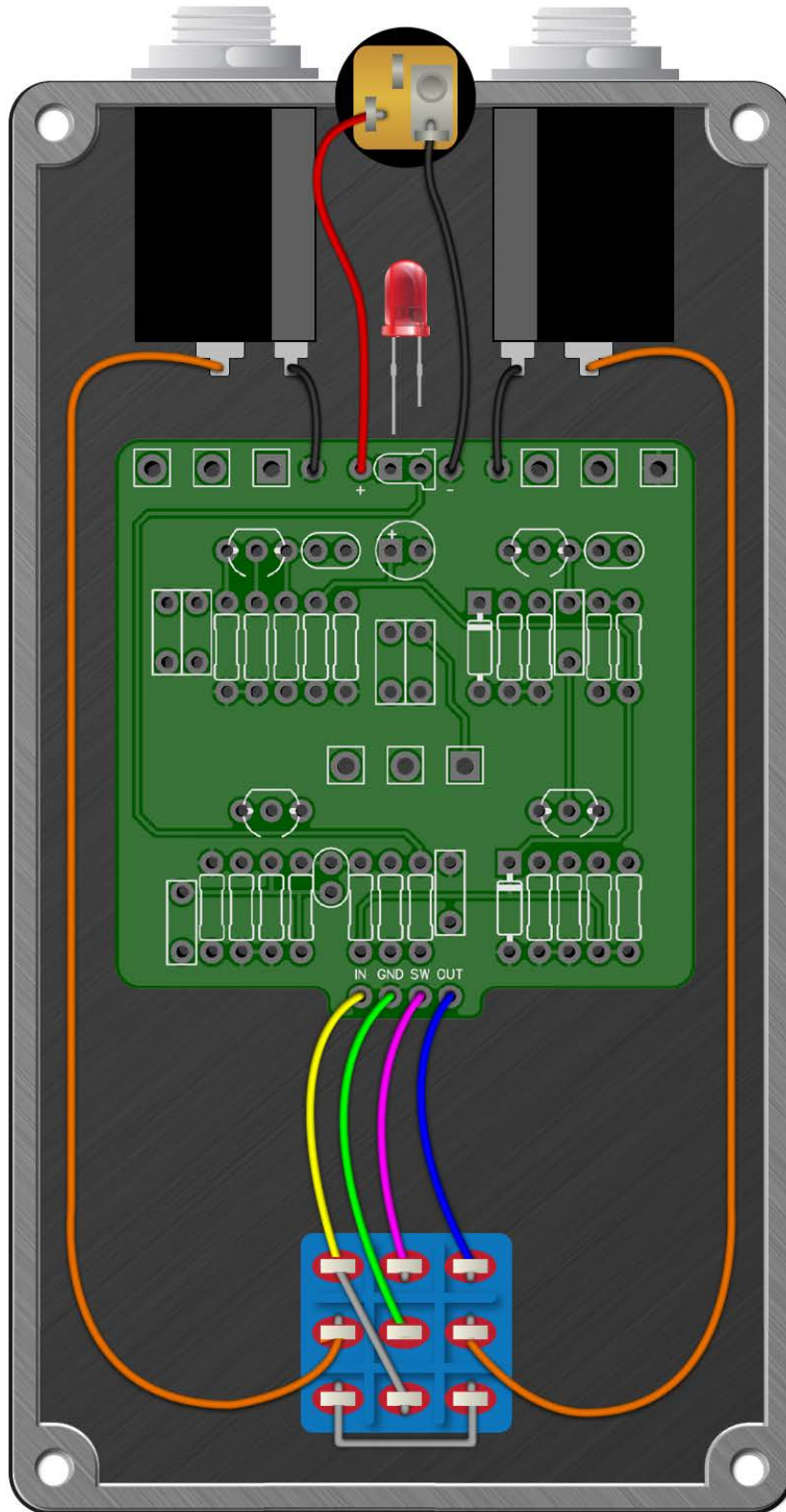
VOLUME A100K
TONE A10K
DRIVE A500K

Mach 1 Overdrive



Mach 1 Overdrive

Wiring Diagram



Mach 1 Overdrive

Drill Template
125B enclosure with top mounted jacks

