

The **PedalPCB Intelligent Relay Bypass Module** provides silent relay switched bypass with intelligent switching functions. The pinout is directly compatible with most true-bypass PedalPCB circuit boards. A latching relay is used for low power consumption.

Latching (Standard) Switching

Pressing and immediately releasing the footswitch toggles the effect on or off.

Momentary Switching

Holding down the footswitch while the effect is active will momentarily bypass the effect until the footswitch is released.

Holding down the footswitch while the effect is bypassed will momentarily activate the effect until the footswitch is released.

Auto-On Function

The Auto-On function automatically engages the effect when power is applied. This is useful for always-on effects or effects used in a looper or rack setup.

Holding down the footswitch while applying power toggles the Auto-On function on or off. The LED will blink five times indicating that the Auto-On function has been toggled on or off.

Parts List

RESISTORS (1/4W)

R1	10K
R2	47K
R5	10R

CAPACITORS

C1	100n
C2	100n
C3	22n
C4	100u

DIODES

D1	1N5817
D2	1N5817

SEMICONDUCTORS

IC1	L78L05
IC2	ATTINY85
Q1	2N3904

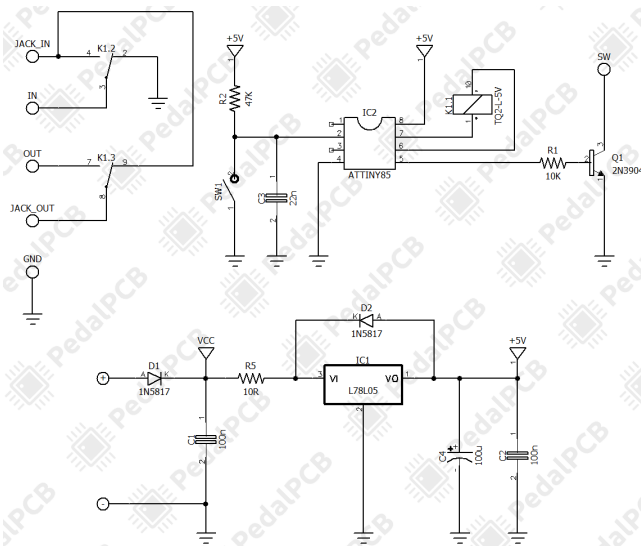
RELAYS

K1	TQ2-L-5V
----	----------

SWITCHES

SW1	Momentary Switch
------------	------------------

Schematic



Board Assembly

