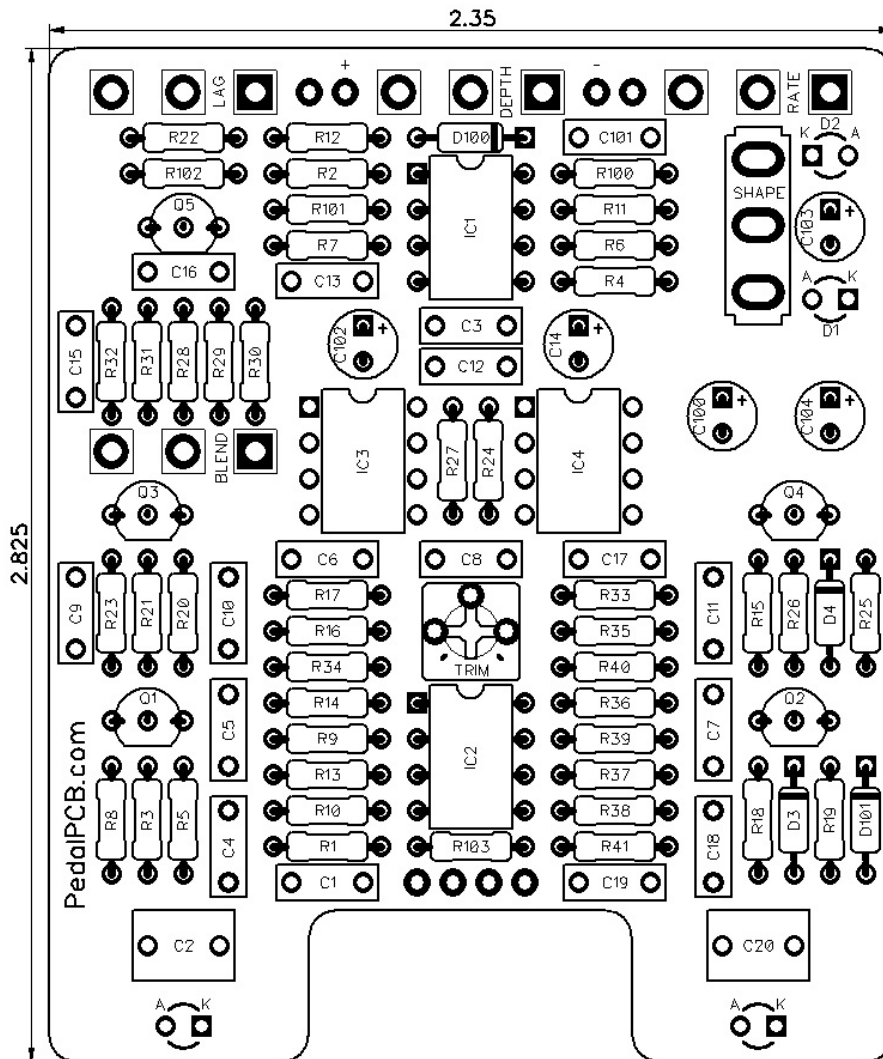


PedalPCB

Caesar Chorus

Revised 4/7/21



CONTROLS AND FEATURES

- Rate
- Depth
- Lag
- Shape (Toggle Switch)
- Blend

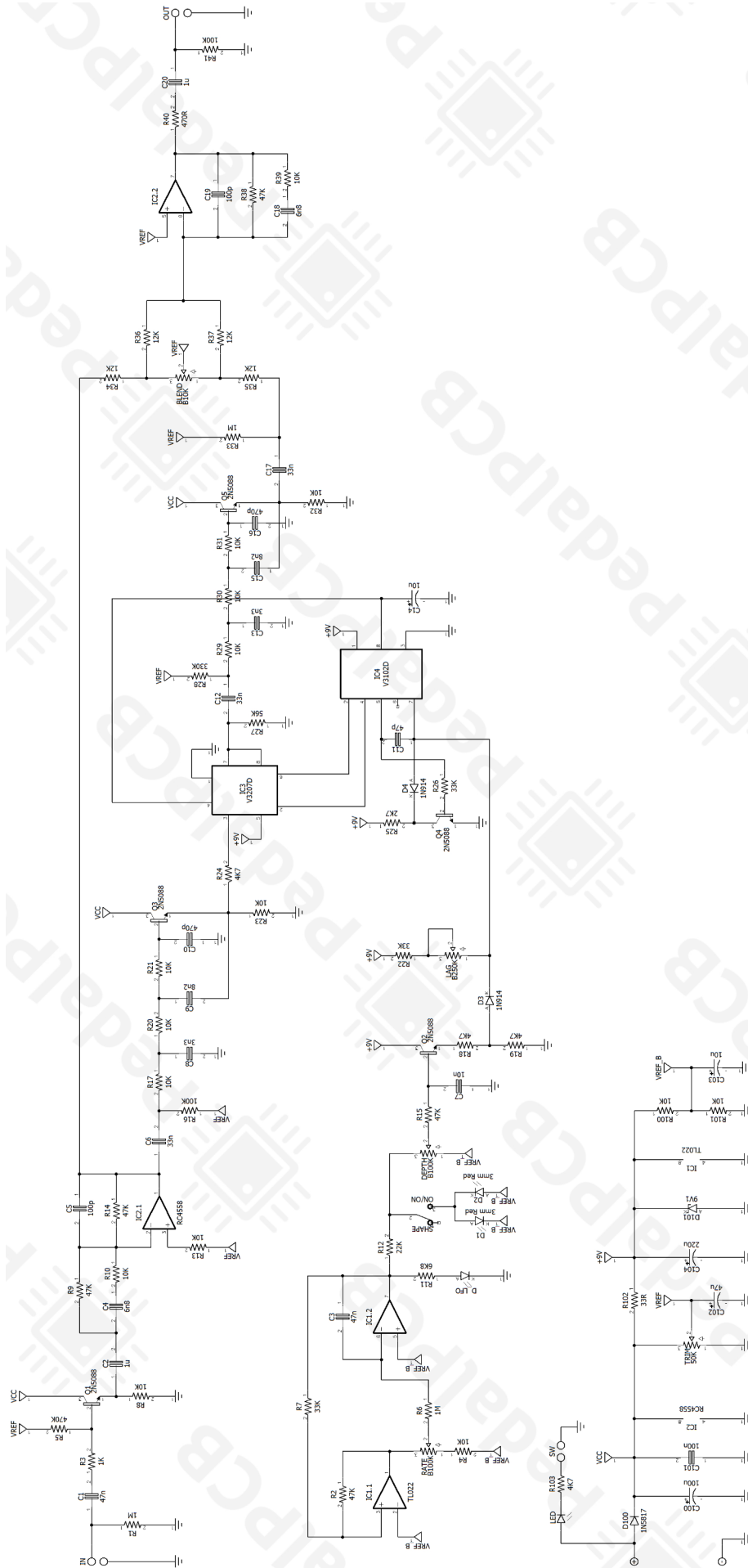
All trademarks and registered trademarks are the property of their respective owners. The company, product, and service names used in this web site are for identification purposes only. Use of these names, logos, and brands does not imply endorsement.

LOCATION	VALUE	TYPE	NOTES
R1	1M	Resistor, 1/4W	
R2	47K	Resistor, 1/4W	
R3	1K	Resistor, 1/4W	
R4	10K	Resistor, 1/4W	
R5	470K	Resistor, 1/4W	
R6	1M	Resistor, 1/4W	
R7	33K	Resistor, 1/4W	
R8	10K	Resistor, 1/4W	
R9	47K	Resistor, 1/4W	
R10	10K	Resistor, 1/4W	
R11	6K8	Resistor, 1/4W	
R12	22K	Resistor, 1/4W	
R13	10K	Resistor, 1/4W	
R14	47K	Resistor, 1/4W	
R15	47K	Resistor, 1/4W	
R16	100K	Resistor, 1/4W	
R17	10K	Resistor, 1/4W	
R18	4K7	Resistor, 1/4W	
R19	4K7	Resistor, 1/4W	
R20	10K	Resistor, 1/4W	
R21	10K	Resistor, 1/4W	
R22	33K	Resistor, 1/4W	
R23	10K	Resistor, 1/4W	
R24	4K7	Resistor, 1/4W	
R25	2K7	Resistor, 1/4W	
R26	33K	Resistor, 1/4W	
R27	56K	Resistor, 1/4W	
R28	330K	Resistor, 1/4W	
R29	10K	Resistor, 1/4W	
R30	10K	Resistor, 1/4W	
R31	10K	Resistor, 1/4W	
R32	10K	Resistor, 1/4W	
R33	1M	Resistor, 1/4W	
R34	12K	Resistor, 1/4W	
R35	12K	Resistor, 1/4W	
R36	12K	Resistor, 1/4W	
R37	12K	Resistor, 1/4W	
R38	47K	Resistor, 1/4W	
R39	10K	Resistor, 1/4W	
R40	470R	Resistor, 1/4W	
R41	100K	Resistor, 1/4W	
R100	10K	Resistor, 1/4W	
R101	10K	Resistor, 1/4W	
R102	33R	Resistor, 1/4W	
R103	4K7	Resistor, 1/4W	
SHAPE	ON/ON	Toggle switch, SPDT	2-position (ON/ON)

LOCATION	VALUE	TYPE	NOTES
C1	47n	Film capacitor, 7.2 x 2.5mm	
C2	1u	Film capacitor, 7.2 x 5.0mm	
C3	47n	Film capacitor, 7.2 x 2.5mm	
C4	6n8	Film capacitor, 7.2 x 2.5mm	
C5	100p	Ceramic capacitor	
C6	33n	Film capacitor, 7.2 x 2.5mm	
C7	10n	Film capacitor, 7.2 x 2.5mm	
C8	3n3	Film capacitor, 7.2 x 2.5mm	
C9	8n2	Film capacitor, 7.2 x 2.5mm	
C10	470p	Ceramic capacitor	
C11	47p	Ceramic capacitor	
C12	33n	Film capacitor, 7.2 x 2.5mm	
C13	3n3	Film capacitor, 7.2 x 2.5mm	
C14	10u	Electrolytic capacitor, 5mm	
C15	8n2	Film capacitor, 7.2 x 2.5mm	
C16	470p	Ceramic capacitor	
C17	33n	Film capacitor, 7.2 x 2.5mm	
C18	6n8	Film capacitor, 7.2 x 2.5mm	
C19	100p	Ceramic capacitor	
C20	1u	Film capacitor, 7.2 x 5.0mm	
C100	100u	Electrolytic capacitor, 5mm	
C101	100n	Film capacitor, 7.2 x 2.5mm	
C102	47u	Electrolytic capacitor, 5mm	
C103	10u	Electrolytic capacitor, 5mm	
C104	220u	Electrolytic capacitor, 5mm	
D1	3mm Red	3mm Red LED	
D2	3mm Red	3mm Red LED	
D3	1N914	Signal diode, DO-35	
D4	1N914	Signal diode, DO-35	
D100	1N5817	Schottky diode, DO-41	
D101	9V1	Zener diode 1/2W, 9.1V	
IC1	TL022	Dual op-amp, DIP8	
IC2	RC4558	Dual op-amp, DIP8	
IC3	V3207D	BBD Analog Delay Line	
IC4	V3102D	BBD Clock, Two-Phase	
Q1	2N5088	BJT transistor, NPN TO-92	
Q2	2N5088	BJT transistor, NPN TO-92	
Q3	2N5088	BJT transistor, NPN TO-92	
Q4	2N5088	BJT transistor, NPN TO-92	
Q5	2N5088	BJT transistor, NPN TO-92	
RATE	B100K	16mm right-angle PCB mount pot	
DEPTH	B100K	16mm right-angle PCB mount pot	
LAG	B250K	16mm right-angle PCB mount pot	
BLEND	B10K	16mm right-angle PCB mount pot	
TRIM	50K	Trim potentiometer (3362P style)	

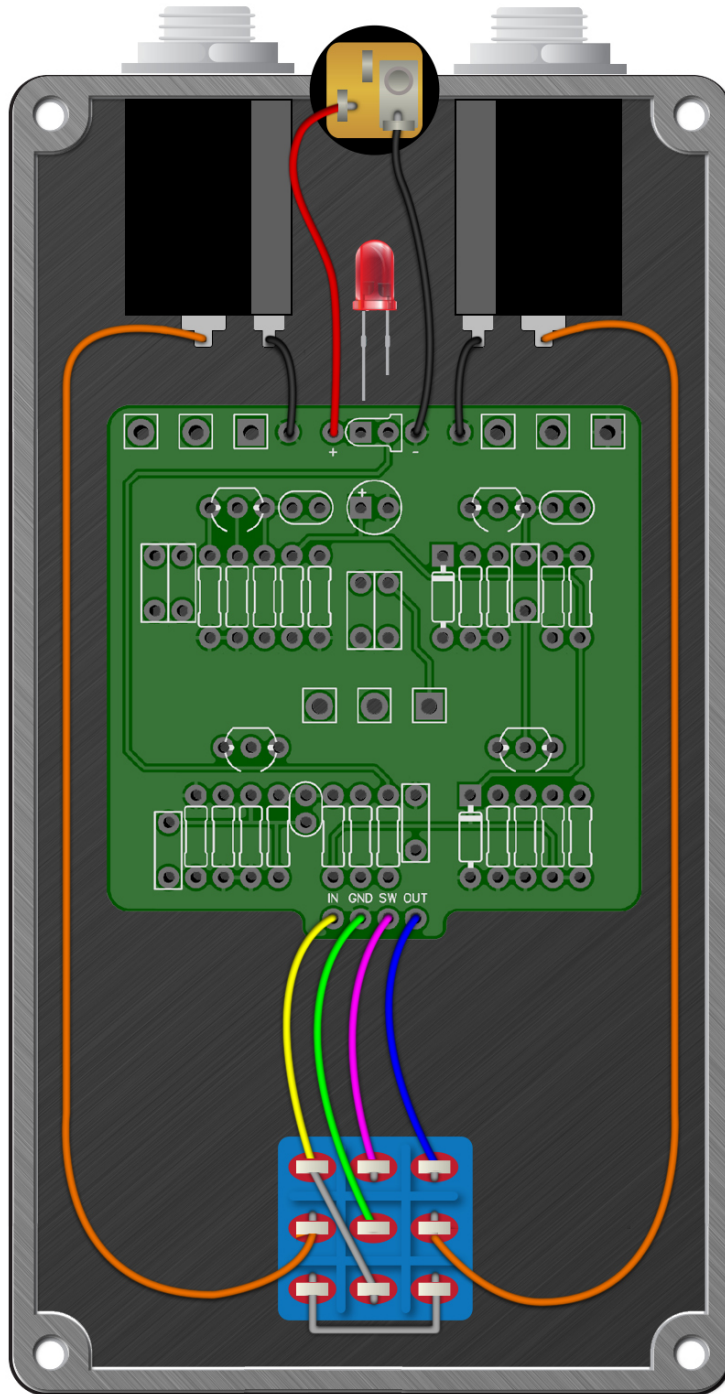
Caesar Chorus

Schematic Diagram



Caesar Chorus

Wiring Diagram



Caesar Chorus

Drill Template
125B enclosure

