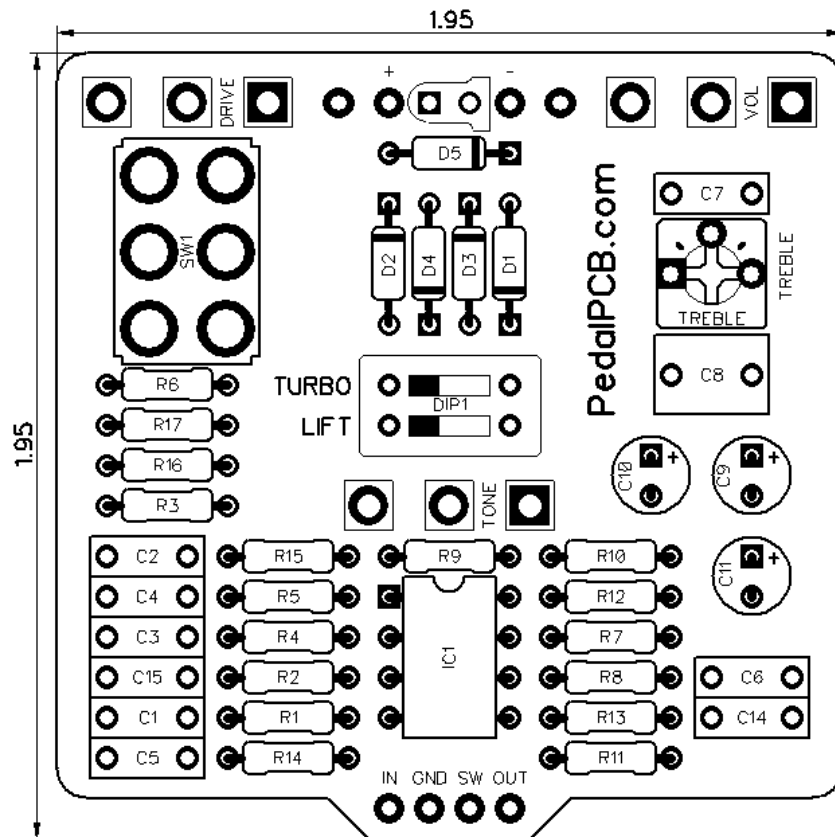




PedalPCB.com

The Pauper

Revision 04.01.18



Resistors

R1	1M
R2	1M
R3	10K
R4	33K
R5	27K
R6	10K
R7	220K
R8	6K8
R9	1K
R10	6K8
R11	1M
R12	47K
R13	47K
R14	4K7
R15	1K
R16	100K
R17	10K

Capacitors

C1	10n
C2	100p
C3	10n
C4	10n
C5	100n
C6	10n
C7	10n
C8	1u
C9	1u
C10	100u
C11	100u
C14	100n
C15	1u

Semiconductors

IC1	JRC4580D
D1	MA856
D2	MA856
D3	MA856
D4	MA856
D5	5817

LED 3mm Red

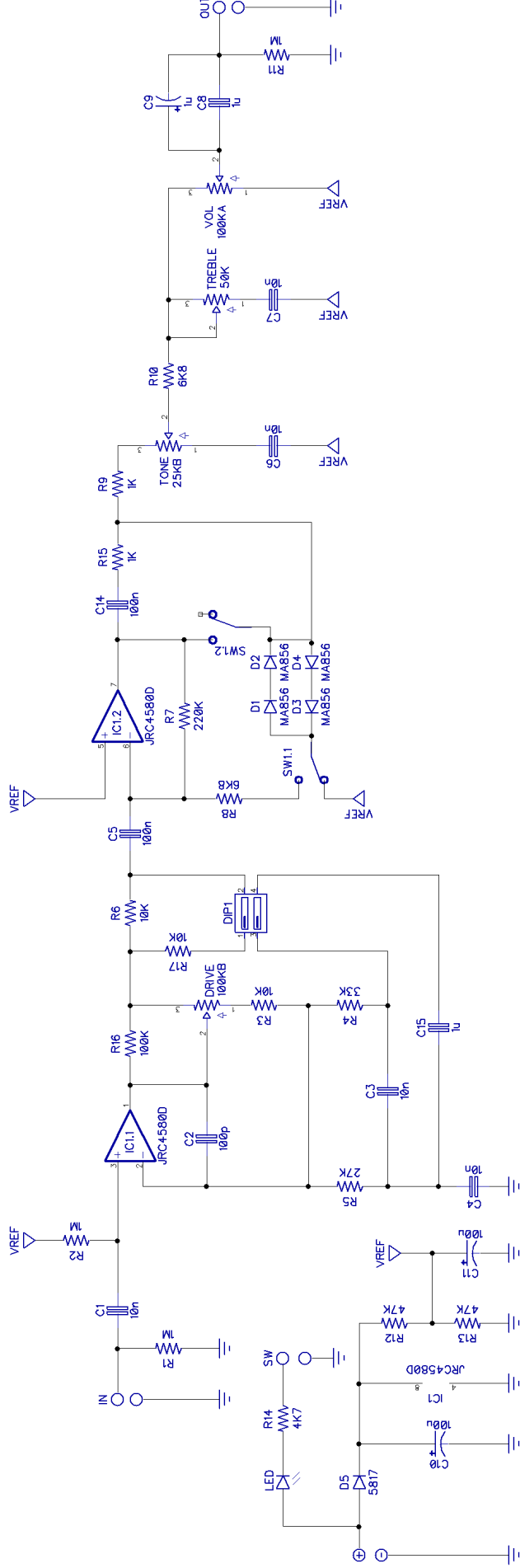
Switches

DIP1	2P DIP switch
SW1	DPDT On-Off-On

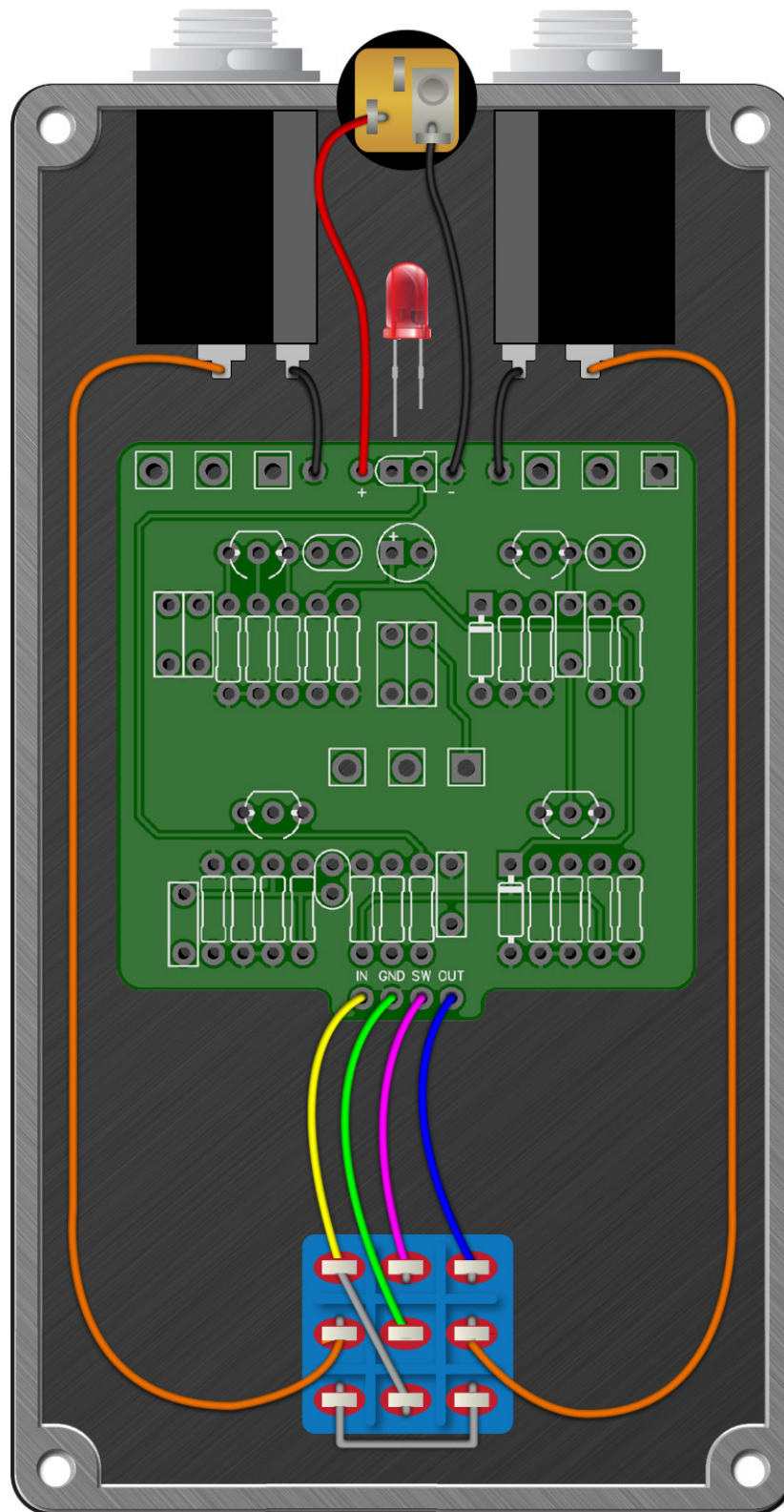
Potentiometers

VOLUME	A100K
TONE	B25K
GAIN	B100K
TREBLE	50K TRIM

The Pauper

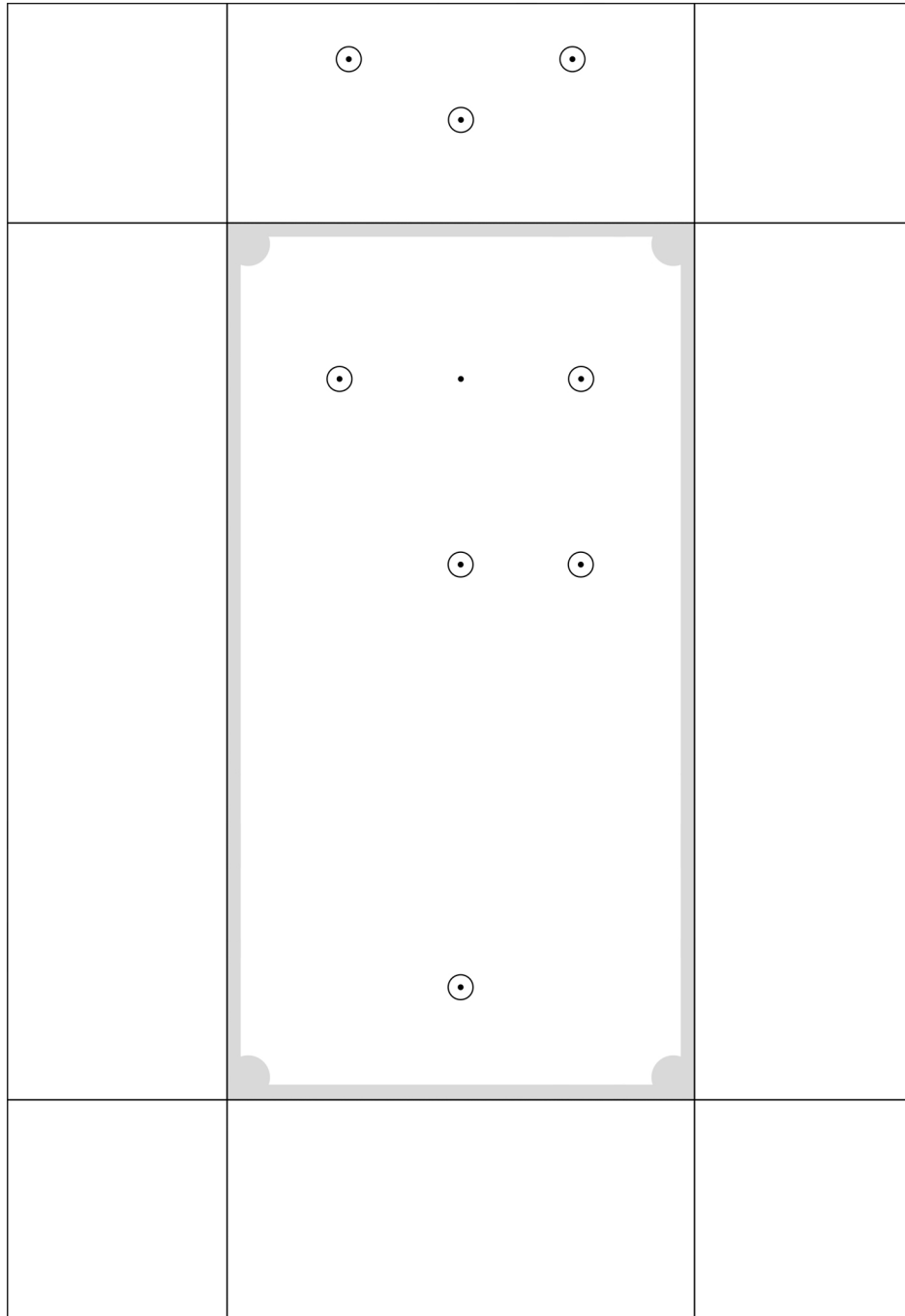


Wiring Diagram



Drill Template

4S125B enclosure with top mounted jacks



Bill of Materials

Resistors (1/4W)

2 x 1K
1 x 4K7
2 x 6K8
3 x 10K
1 x 27K
1 x 33K
2 x 47K
1 x 100K
1 x 220K
3 x 1M

Switches

1 x DPDT (On-Off-On)
1 x 2P DIP Switch

Capacitors

1 x 100p
5 x 10n
2 x 100n
1 x 1u (Film Box)
1 x 1u (Electrolytic)
1 x 1u (Ceramic)
2 x 100u

Semiconductors

1 x JRC4580D

4 x MA856
1 x 1N5817

1 x 3mm LED

Potentiometers

1 x A100K
1 x B100K
1 x B25K
1 x 50K TRIM